



User manual  
Gebrauchsanweisung  
Gebruikshandleiding  
Mode d'emploi

# ***JUMPARENA***





## ***RECTANGULAR TRAMPOLINES***



***TRAMPOLINE + SAFETY NET***  
***7x12FT / 214x366cm***





<b>English</b>		<b>4</b>
<b>Deutsch</b>		<b>26</b>
<b>Nederlands</b>		<b>48</b>
<b>Français</b>		<b>70</b>

## 1.0 Introduction

Congratulations on choosing a EXIT JumpArena Trampoline!

**Have fun, be active and play outdoors.....**

That's what keeps driving us to develop innovative, quality toys for cool kids.

We do everything possible to develop safe products for children. As our products are classed as toys, we comply with the toughest consumer safety regulations. Before launching our products onto the market, we have independent tests carried out for certification. We also continuously test our production runs and periodically have independent tests performed again as a further check. Only products which live up to the highest EXIT Toys standard are marked with and recognized by the EXIT-brand.

"We want to thank you for your custom and your confidence in this product. We're sure your kids will have as much fun as we did during development. Being open-minded, we really appreciate all comments and ideas which will help us improve our products or develop new ones. You are invited to send your ideas to us at [info@exit-toys.com](mailto:info@exit-toys.com)"

Please visit [www.exittoys.com](http://www.exittoys.com) and discover more cool new products.

The EXIT Toys team



## 2.0 Guidelines for safe use

Using your product as instructed in this manual will eliminate virtually all hazards. However, please bear in mind that children have a natural urge to play and that this may lead to unforeseen dangerous situations for which the manufacturer cannot be held responsible. Teach your children how to use the product and point out possible dangers to them.

**Before assembling and using the product, please read and observe these main warnings:**

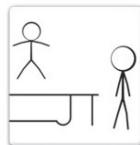
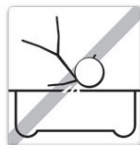


### WARNING

To avoid serious injury:



- Read and understand the manual before use.
- WARNING: Only for domestic use
- WARNING: CHOKING HAZARD! - Small parts.  
Not for Children under 3 years old.
- Protect children
  - Prevent falls and strangulation - Exit through the door only, and use caution.
  - Assist young children in and out of Safety net.
- WARNING: Only one user at a time; danger of collision!
- WARNING: Do not perform summersaults or other difficult jumps!
- WARNING: Empty your pockets before use of the trampoline!
- Continuous adult supervision is required.
- Don't use the trampoline when it's wet.
- The trampoline is to be assembled by an adult prior to use.
- In case of missing or broken parts, please contact place of purchase for assistance.
- We are not liable for any injuries that may occur when using the trampoline.
- Max. User weight: 120kg.



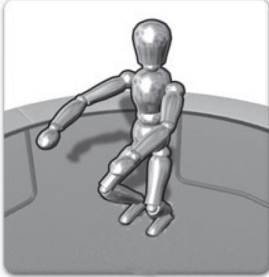


## 2.1 Warnings for safe use:

- **BEFORE YOU BEGIN USING YOUR TRAMPOLINE:** Read and understand the information provided in this manual. As with all physical sports and activities there is the risk of participants receiving an injury. To ensure your future enjoyment and the prevention of injury, be sure to follow appropriate safety rules and tips.
- The maintenance handbook must be retained.
- Always close the enclosure opening before use.
- **ALWAYS CONSULT A DOCTOR/PHYSICIAN BEFORE PERFORMING ANY KIND OF PHYSICAL ACTIVITY.**
- **ALWAYS CHECK YOUR TRAMPOLINE BEFORE USE, PAYING SPECIFIC ATTENTION TO ALL THE BOLTS, JUMP MAT AND PADS POSITION. DON'T USE IF ANY PARTS ARE MISSING OR LOOK LIKE THEY SHOW WEAR AND TEAR.**
- **ALWAYS ENSURE THAT THE TRAMPOLINE IS USED BY ONLY ONE PERSON AT A TIME.**
- **ALWAYS ENSURE THAT WHENEVER THE TRAMPOLINE IS USED BY ANYONE AT ANY SKILL LEVEL THAT DO SO UNDER SUPERVISION.**
- Stop exercising immediately should you feel unwell or if you feel pain in your joints and muscles. Dizziness is a sign of fatigue and you should stop bouncing and lay down on the ground should you feel dizzy.
- When using this trampoline ensure appropriate clothing is worn, preferably sports wear and socks. **NEVER WEAR SHOES ON THE MAT.**
- Please be warned that trampoline is spring based and will allow the user to jump to a greater height than that on the ground, so please bear this in mind and ensure that you are comfortable bouncing at low heights first.
- Proper assembly, care and maintenance of product, safety tips, warnings, and proper techniques for jumping on your trampoline are included in this manual for your safety and an extended product life span. All users and supervisors should therefore familiarize themselves with these instructions. Anybody who chooses to use the trampoline must be aware of their own limitations with regards to performing skills on this trampoline.
- Trampoline should be assembled on grass or BSI approved safety matting.
- This product is intended for home use only.
- **Moving the Trampoline.** If the trampoline and enclosure needs to be moved, it should be moved by two persons, kept horizontal, and lifted slightly. If necessary, the trampoline and enclosure can be taken apart for moving. To take the trampoline apart, follow the assembly steps in reverse order.

## 2.2 Use of the trampoline

INITIALLY, you should get accustomed to your trampoline and understand how much spring is in each bounce .The focus at this point should be body position and technique until each skill can be completed with ease and control.



- BEFORE YOU TRY TO JUMP TOO HIGH the technique for stopping should be learnt as this will help prevent injury should you feel you are jumping out of control.
- As the user lands on the bed, the knees should be bent so that they stop and absorb the spring in the mat. The position is shown in the image to the left. Arms are held out for increased level of balance.
- This skill is used when the trampoline user wishes to stop bouncing on the trampoline due to fatigue, loss of control, etc.



**SOMERSAULTS (FLIPS): DO NOT PERFORM** somersaults of any type (backwards or forwards) on this trampoline. If you make a mistake when trying to perform a somersault, you could land on your head or neck. This will increase your chances of your neck or back being broken, which could result in death or paralysis



**FOREIGN OBJECTS : DO NOT** use the trampoline if there are pets, other people, or any objects underneath the trampoline. This will increase the chances of an injury occurring, DO NOT hold any foreign objects in your hand and DO NOT place any objects on the trampoline while in use. DO NOT place the trampoline under over-hanging objects like tree branches, wires, etc as these will increase your chances of being injured.



**POOR MAINTENANCE OF TRAMPOLINE:** A trampoline in poor condition will increase your risk of being injured. Please inspect the trampoline before each use for bent steel tubes, torn mat, loose or broken springs and overall stability of the trampoline.

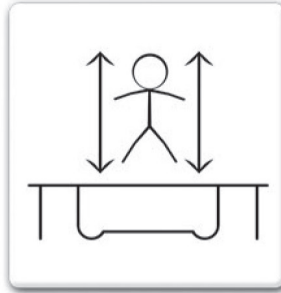


**WEATHER CONDITIONS:** Please be aware of the weather conditions when using the trampoline. Don't use the trampoline when it's wet. If it is too windy, the user could lose control.



**RESTRICTING ACCESS:** When the trampoline is not in use, always store the access ladder in a secure place so that unsupervised children can not play on the trampoline.

### 2.3 Tips to reduce the risk of accidents



In order to reduce the risk of accident the "TRAMPOLINE USER" should:

- Always remain in control of their jumps and body position at all times.
- Not attempt to perform skills that are beyond their own level of competence.
- Read and understand the jump by taking off and landing in the middle of the trampoline.
- Always control their jump by taking off and landing in the middle of the trampoline.
- Always jump vertically and refrain from bouncing towards the springs in any direction.
- Always consult a professionally certified trampoline instructor before attempting anything beyond basic techniques.

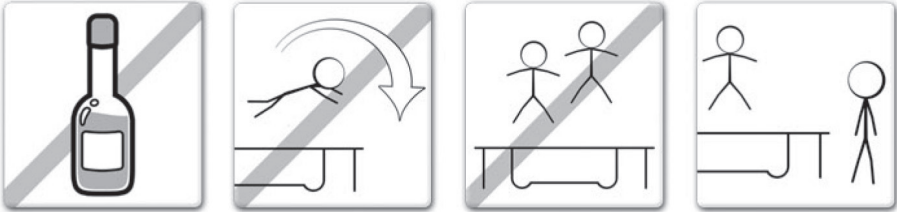
In order to reduce the risk of accident the "SUPERVISOR" should:

- Fully understand and enforce all the safety rules and guidelines.
- Advise the trampoline user and provide knowledge in what they are doing right and wrong to ensure the safety of trampoline user.
- Be aware and advise the trampoline user of all the safety warnings.

**IMPORTANT: If the Trampoline can not be supervised there should be a method for securing it and preventing anyone from using the product until supervision is available.**

## 2.4 Trampoline Safety Instructions

### ADVISORY PRECAUTIONS WHILST USING THE TRAMPOLINE



- Do not use trampoline if you have consumed alcohol or narcotic substances
- You should climb on and off the trampoline in a controlled and careful manner. Never jump onto or off the trampoline and never use the trampoline as a means to bounce onto or into another object.
- Always learn the basic bounce and master each type of bounce before trying more difficult types of bounces. Review the basic skills section to learn how to do the basics.
- To stop your bounce, flex your knees when you land on your feet.
- Always be in control when you are bouncing on the trampoline. A controlled jump is when you land at the same spot that you took off from. If at any time you feel out of control, stop bouncing immediately.
- Do not jump or bounce for prolonged periods of time or too high for a number of jumps. Keep your eyes on the mat to maintain control. If you do not, you could lose your balance.
- Never have more than 1 person on the trampoline at any one time.

### ADVISORY PRECAUTIONS WHILST SUPERVISING TRAMPOLINE

**IMPORTANT:** Familiarise yourself with the basic jumps and safety rules. To prevent and reduce the risk of injuries, ensure that all safety rules are enforced and the new users learn the basic bounces before trying more advanced techniques.

- ALL USERS need to be supervised, regardless of skill level or age.
- Never use the trampoline when it is wet, damaged, dirty or worn out. The trampoline should be inspected before use.
- Keep all objects that could interfere during use away from the trampoline at all times. Be aware of what is overhead, underneath and around the trampoline.
- To prevent unsupervised and unauthorized use, the trampoline should be secured at all time.

## 2.5 Accident classification & identification



### **MOUNTING AND DISMOUNTING:**

Be very careful when getting on and off the trampoline. DO NOT mount the trampoline by grabbing the frame pad, stepping onto the springs or by jumping onto the mat of the trampoline from an object (eg. A deck, roof, or ladder). This is considered highly dangerous. DO NOT dismount by jumping off the trampoline and landing on the ground. If small children are playing on the trampoline, they may need help in mounting and dismounting.



### **USE OF ALCOHOL OR DRUGS:**

DO NOT consume any alcohol or take any drugs (this includes medication that could affect the users co-ordination) when using this trampoline. This is considered highly dangerous since these foreign substances impair your judgements, reaction time and overall physical co-ordination.



### **MULTIPLE USERS:**

Only one user at a time; danger of collision!



### **STRIKING THE SPRING FRAME:**

When playing on the trampoline, STAY in the centre of the trampoline mat. This will reduce the risk of being injured by landing on the spring frame. Always keep the frame pads covering the frame of the trampoline. DO NOT jump or step onto the frame pad directly since it is not intended to support the weight of a person.



### **LOSS OF CONTROL:**

DO NOT try difficult maneuvers until you have mastered the basics. If you do not follow these guidelines, you increase the risk of someone being injured.

**WARNING: Take a break every 10 minutes.**

## 3.0 Trampoline techniques

### Basic Skills

#### BASIC SKILL 1: The basic bounce



- Start from a standing position, with feet shoulder width apart head up and eyes on the trampoline bed.
- Swing arms forward and up above head in a circular motion.
- Bring legs and feet together in mid-air position and point toes.
- Land back on the mat with feet shoulder width apart (same as start position).
- Why not try moving onto the next skill once comfortable and proficient.

#### BASIC SKILL 2: The Knee Drop

- Start with a low basic bounce (as detailed in BASIC SKILL 1).
- Land on knees shoulder width apart, keeping back straight and a strong body position using arms out to the side or in front to maintain balance.
- Bounce back to basic bounce position by using bounce momentum and swinging arms above head.
- Once mastered at this height try bouncing a little higher, but remember to always stay in control of your height.



#### BASIC SKILL 3: The Seat Drop



- Start with a low basic bounce (BASIC SKILL 1) in the normal position.
- Land with legs out straight in front of you, with hands either side of your hips and back straight in a strong body position.
- Use the bounce momentum aided with a push from hands to return to a standing position.
- Once mastered at this height try bouncing a little higher, but remember to always stay in control of your height.

**IMPORTANT:** Please consult a trained trampoline instructor before attempting any more advanced skills to ensure highest possible safety levels are

## Advanced Skills

### ADVANCED SKILL 1: The basic bounce



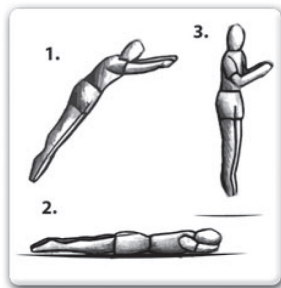
- Start with a low basic bounce (BASIC SKILL1) in the normal position.
- Land on your hands and knees at the same time, ensure that back is horizontal to the bounce mat and hands & legs are shoulder width apart also.
- Use the momentum of bounce and push off hands to regain the standing position.
- Once mastered at this height try bouncing a little higher, but remember to always stay in control of your height.
- Try moving onto the next skill once comfortable and proficient.

### ADVANCED SKILL 2: Hands and Knees to Front Drop

- Land on your hands and knees at the same time, ensure the back is horizontal to the bounce mat and hands & legs are shoulder width apart also.
- Maintain strong body position with back horizontal to mat and straighten legs behind and fold arms in front of face in mid-air ready to land on the mat in a lying down position.
- Ensure the landing is done with all of body touching the mat at same time.
- Push off hands and recover the standing position.
- Once mastered at this height try bouncing a little higher, but remember to always stay in control of your height . Trying moving onto the next skill once comfortable and proficient.



### ADVANCED SKILL 3: The Front Drop



- Start with a low basic bounce (BASIC SKILL 1) in the normal position.
- Maintain strong body position with back horizontal to mat and straighten legs behind and fold arms in front of face in mid-air ready to land on the mat in a lying down position.
- Ensure the landing is done with all of body touching the mat at the same time.
- Push off hands and recover the standing position.
- Once mastered at this height try bouncing a little higher, but remember to always stay in control of your height.

**IMPORTANT:** Should you wish to progress any further and learn more advanced techniques for trampoline, please consult a qualified and registered instructor.



## 4.0 General Information

- It is not necessary to break-down the trampoline during winter.
- Self-securing nuts and screws are suitable only for one time setting-up, and must be replaced after breakdown of the trampoline and/or safety net.
- The safety net has a minimum durability of 5 years after purchasing.
- It is recommended to place the trampolines on a flat and level surface with at least 2 m distance to other superstructures, or barriers, e.g. fence, garage, house, tree branches, washing lines, or electrical cables.
- The trampoline shall not be placed over hard surfaces like asphalt, concrete etc.
- Exchange defective parts according to the supplier's recommendation.
- Changes to the trampoline (e.g. addition of an accessory) must be done according to the supplier's instruction.

## 5.0 Trampoline Assembly

### STEP BY STEP CONSTRUCTION

#### **Only assemble by adult.**

To assemble this trampoline all you need is our special spring loading tool provided with this product. During periods of non-use, this trampoline can be easily disassembled and stored. Please read the assembly instructions before beginning to assemble the product.

Please refer to the table for part descriptions and numbers. The assembly instruction use these descriptions and numbers as reference .

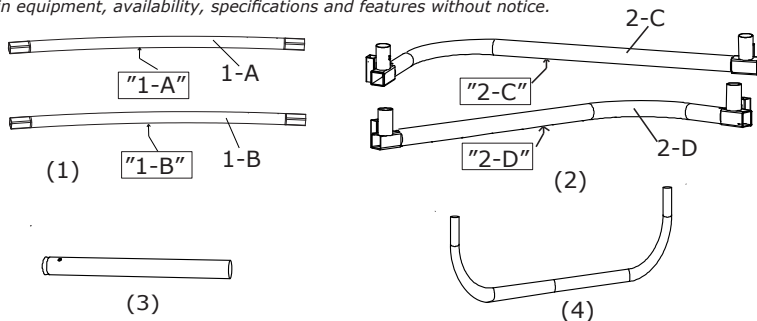
Make sure you have all parts listed. If you are missing any parts, please contact place of purchase.

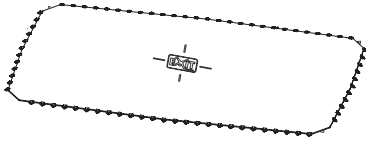
**Please use gloves to protect your hands from pinch points during assembly. When you are ready to start, make sure that you have plenty of space and a clean dry area for assembly.**

## Parts list

Part.Nr.	Description	#
1	Middle tube (includes two middle tubes 1-A, two middle tubes 1-B)	4
2	Corner tube (includes two corner tubes 2-C, two corner tubes 2-D)	4
3	Leg extension	8
4	Leg	4
5	Jumpmat	1
6	Spring	76
7	Pad	1
8	M6X55mm Bolt	16
9	M6 washer	32
10	M6 nut	16
11	Upper tube + Foam	8
12	Lower tube + Foam	8
13	Sleeve	8
14	Pole cap	8
15	End cap	8
16	Net	1
17	M4.8X16mm screw	8
18	Cord	4
19	Ladder	1
20	Shoe bag	1
#	Tools	1 Set
	Warning Label	1

Enclosed are the current specifications and product features available at time of printing, however, changes may be made in equipment, availability, specifications and features without notice.

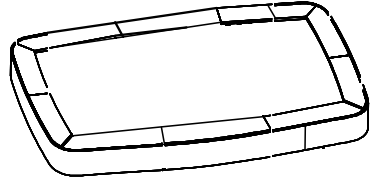




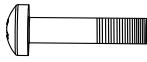
(5)



(6)



(7)



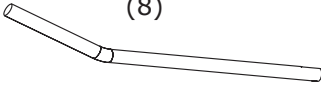
(8)



(9)



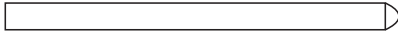
(10)



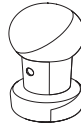
(11)



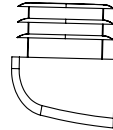
(12)



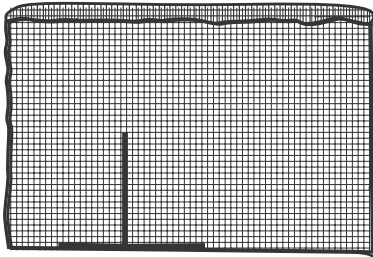
(13)



(14)



(15)



(16)



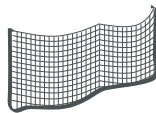
(17)



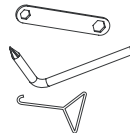
(18)



(19)



(20)



Tools



Warning Label

#

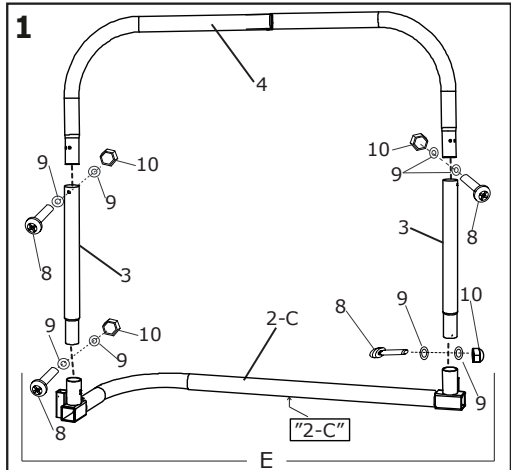
### STEP 1

Insert the leg extension (3) into the Corner tube (2-C). Secure by using an M6x55mm bolt (8), two M6 washers (9), M6 nut (10) as shown.

Then insert the two ends of the leg (4) into the leg extension (3) Secure by using an M6x55mm bolt (8), two M6 washers (9), M6 nut (10) as shown.

Unit E is now completed.

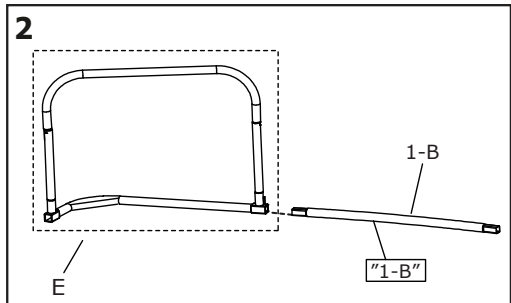
**Attention: Do not tighten the nuts.**



### STEP 2

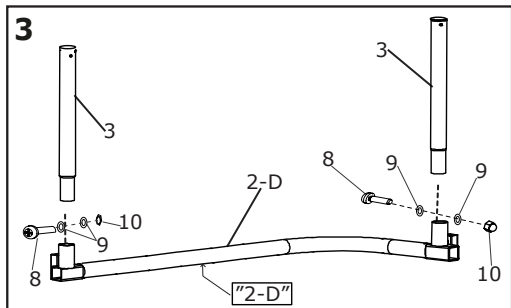
Attach unit E and the Middle Tube (1-B) together as shown.

Repeat Steps 1-2 until the two leg extensions are completed.



### STEP 3

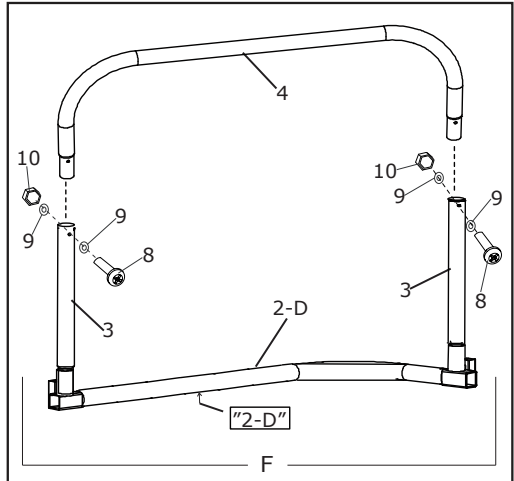
Insert the leg extension (3) into the corner T tube (2-D) secure with M6x55mm bolt (8), two M6 washers (9), M6 Nut (10) as shown.



Then insert the two ends of the leg (4) into the leg extension (3). Secure by using an M6x55mm bolt (8), two M6 washers (9), M6 nut (10) as shown.

Now the unit F is completed.

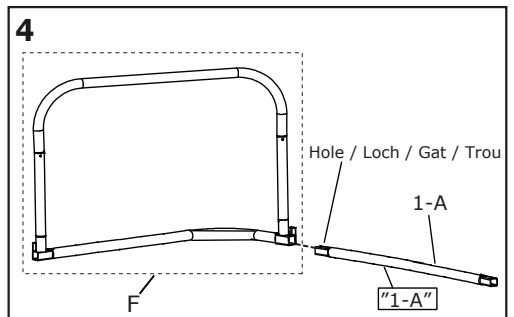
**Note: do not tighten the nuts.**



#### STEP 4

Attach unit F and the middle tube (1-A) together as shown.

Repeat Steps 3-4 until the two leg extensions are completed.

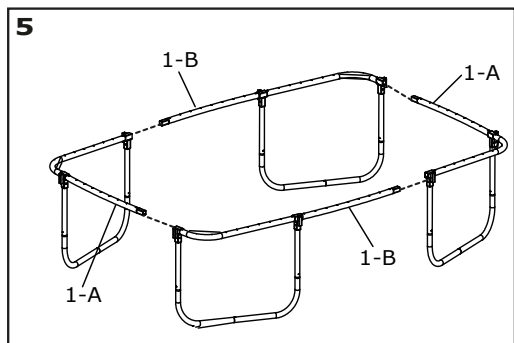


#### STEP 5

Stand two leg sections and hold them in the positions shown. Insert the small end into the top tube with socket. Repeat this step until all four leg sections are connected.

Now the frame are fully assembled and freestanding.

**Attention: Tighten all the nuts.**



**WARNING!!** : Please be careful where your hands and other parts of the body are placed as the connector points and spring attachments can create hand or body traps.

## STEP 6

Locate the mat (5) on the ground inside the assembled frame. Repeat this step with the remaining straps (not shown).

Note: There are 68 V-rings and 4 D-rings around the edge of the mat (5) and 76 holes around the top of the frame. You will attach the Mat (5) to the frame, using 76 springs (6).

### Attach the Spring(6) as follows:

1. Hook one end of a spring into a V-ring sewn on the jump mat.
2. Hook a spring tool shown as the inset drawing into the free end of the spring.
3. Pull it by the spring tool until it reach the frame.
4. Push the end of the spring into a hole in the frame. Unhook the spring tool.

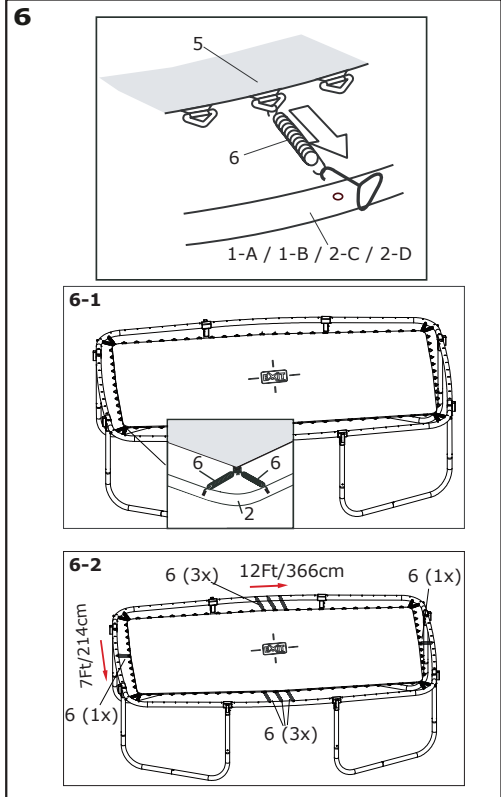
#### 6.1

Attach D-ring sewn to the corner of the mat to the tube welded to corner tube by two springs as shown. There will then be eight springs attached, two springs to each corner.

#### 6.2

Count exactly 10 frame holes and 10 V-rings in the 12ft direction. Attach three springs. Repeat on the opposite 12ft long side of the trampoline.

Count exactly 5 frame holes and 5 V-rings in the 7ft direction. Attach 1 springs. Repeat on the opposite 7ft short side of the trampoline. You should now have 16 springs attached. Continue to attach the remaining big springs between the previously attached springs, until all springs are attached.



**Caution: It is wise to wear leather gloves while attaching the springs. Be careful where you place your hands as the springs and frame joints can pinch.**

**Note: The spring has a large hook which attaches to the frame and a small hook which attaches to the mat ring.**

#### Note:

**As you attach springs, carefully count the V-rings and frame holes. If a V-ring or a hole is skipped, re-attach the spring in the proper position.**

## STEP 7

Lay the pad (7) on the frame. Adjust the position of pad so that the slits are directly above.

**Note: The pad has two colors: green and gray. You can choose a favorite color on top.**

Look at the underside of the trampoline. Attach the straps to the frame.

Attach all the remaining straps (not shown).

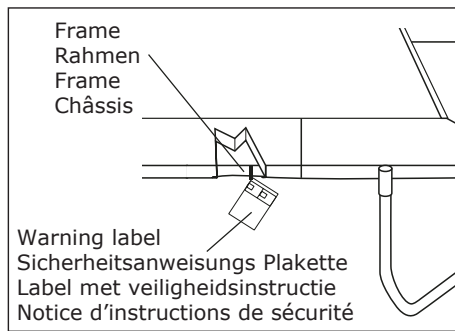
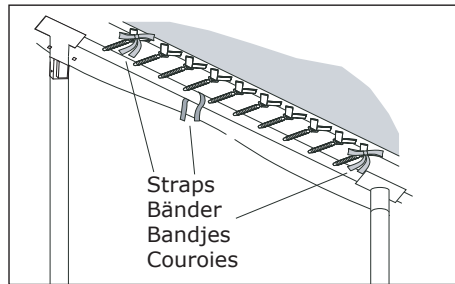
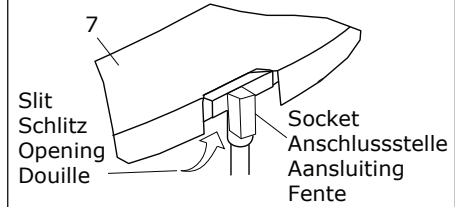
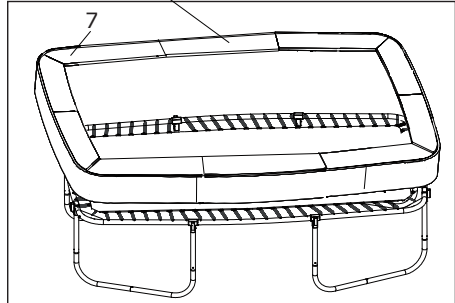
### Note:

Don't use the trampoline without the pad. The pad is designed to reduce the possibility of injuries in the event that the jumpers come in contact with the trampoline frame.

Using the included plastic tie, attach the warning label to the frame near the point where jumpers will climb onto and off the trampoline.

**7**

Choose Green or Grey  
Wählen Sie Grün oder Grau  
Kies Groen of Grijs  
Choisissez vert ou gris

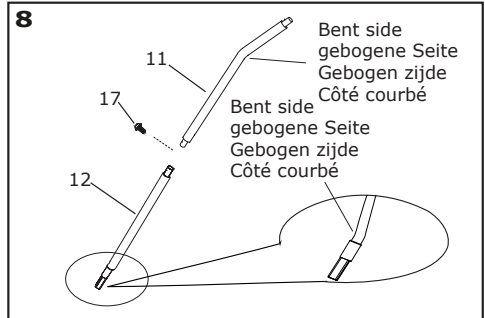


### STEP 8

Insert the lower tube with foam (12) into the upper tube with foam (11). Secure with an M4.8x16mm screw (17).

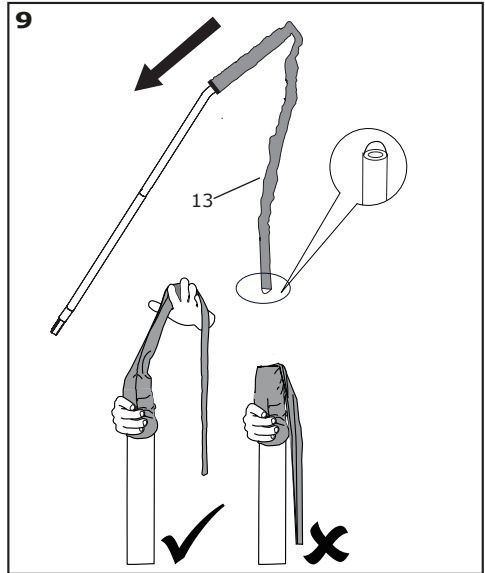
**Note:**

**Make sure the bent sides on the upper tube (11) and the lower tube (12) are opposite of each other.**



### STEP 9

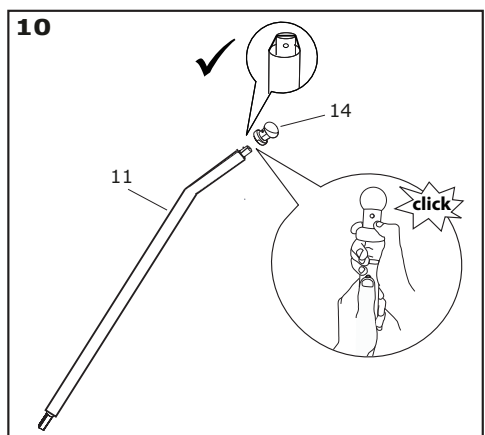
Slide the assembled tubes into the sleeve (13).



### STEP 10

Attach the pole cap (14) to the Upper Tube (11) as shown.

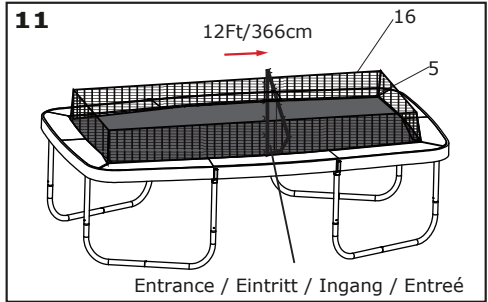
Repeat steps 8-10 to assemble the remaining seven upper tubes with foam(11), lower tubes with foam (12), sleeves (13) and pole caps (14) together.





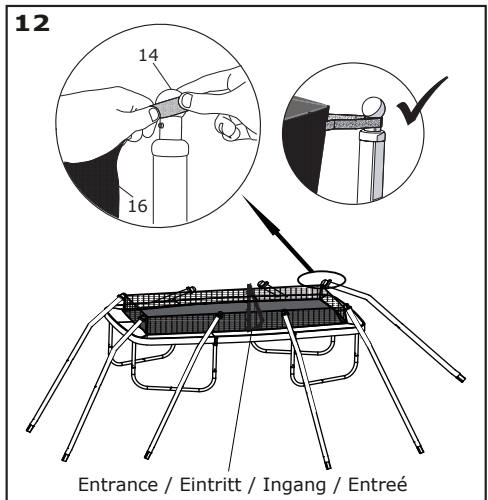
### STEP 11

Lay the net (16) on the mat (5). Make sure the enclosure door is on the middle of 12Ft direction as shown.



### STEP 12

Insert the pole cap (14) into the strap on the top edge of net (16) as shown.



### STEP 13

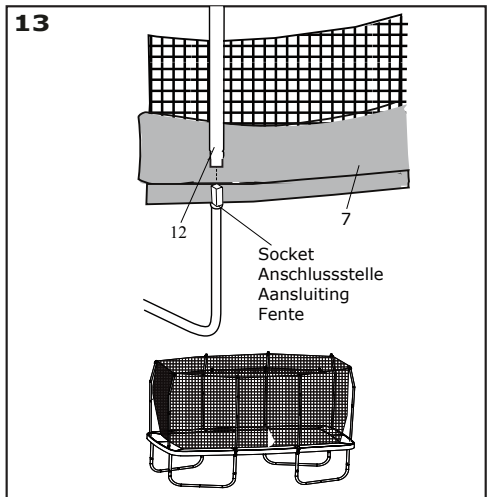
Starting from the enclosure door, insert the lower tube (12) into the top hole of socket.

**Make sure the bent sides of the Upper Tubes (11) are facing toward the center of the trampoline.**

**Note:**

**The end of the lower tubes (12) are sharp. Use caution when assembling.**

Now your trampoline and enclosure are as shown in the picture.

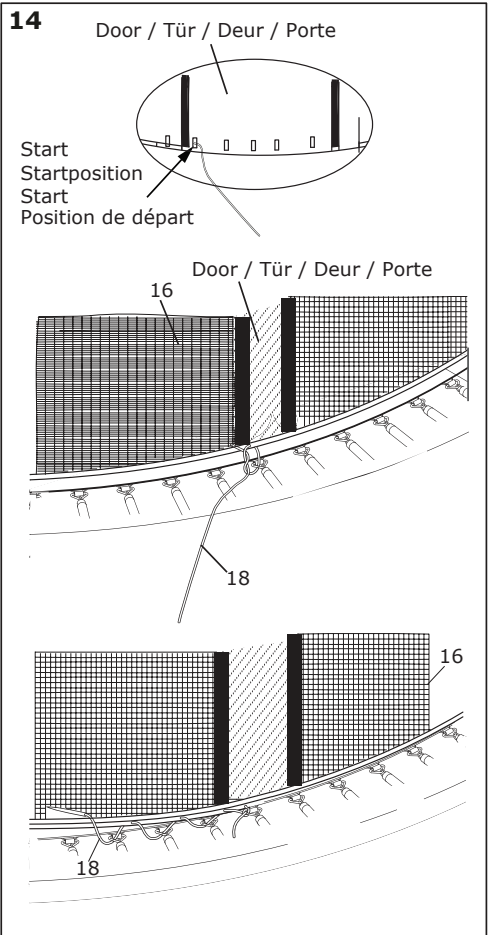


## STEP 14

Attention: During step 14, you will "sew" the lower edge of the net (16) to the mat using the cords (18). Locate the V-ring closest to the door. Thread one end of a cord (18) through the lower edge of the net (16) above the V-ring and then thread the cord through the V-ring. Tie the net to the V-ring by making a double knot in the cord.

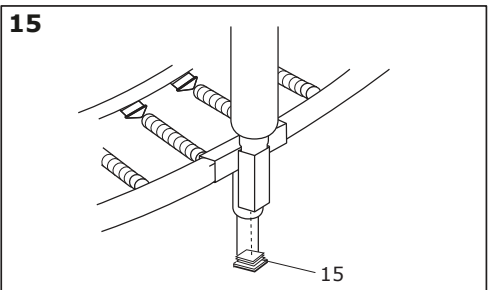
Thread the cord (18) through the lower edge of the net (16) halfway between the first V-Ring and the V-Ring to the left and then thread the cord through the V-ring to the left. Repeat this procedure until the entire cord is threaded through the netting and V-ring as shown. Keep the cord taut. Tie the end of the cord to the last V-ring that it reaches. Repeat this process until all the cords are attached.

Tie a second cord (not shown) to the last V-ring reached by the first cord. Thread the second cord through the net (16) and V-ring as described above. Make sure that net is sewn to every V-ring on the trampoline bed.



## STEP 15

Insert the end cap (15) into the bottom hole of the socket.



## STEP 16

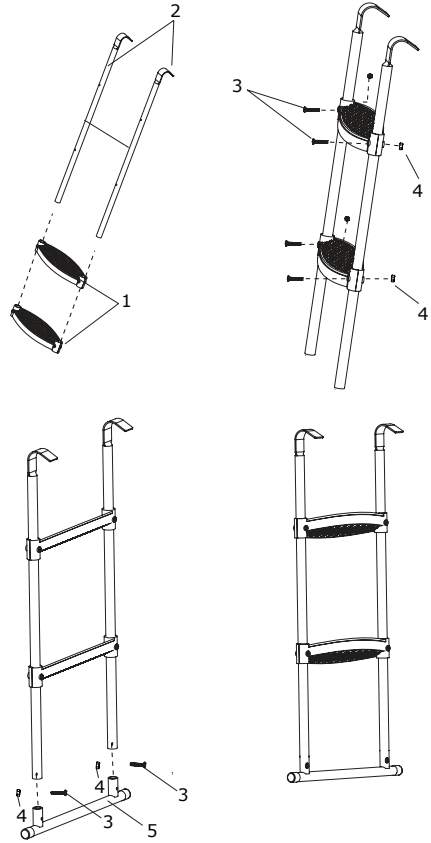
### Ladder (19) assembly

Insert the rung (1) into the pole (2) as shown. Secure with an M6x40mm bolt (3) and an M6 Nut (4).

Attach the lower tube (5) and pole together as shown. Secure with an M6x40mm bolt (3).

Attach the ladder to the trampoline as shown below.

16



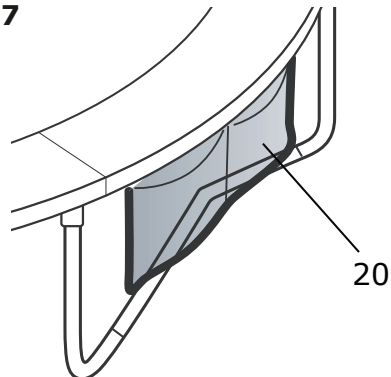
## STEP 17

Attach the shoe bag (20) to frame as shown.

Congratulations! Your trampoline is now fully assembled (put together). **Make sure that all parts are attached securely. Familiarize yourself and all users with the trampoline, with the safety precautions, use and instructional materials, and care and maintenance instructions in this manual before using the trampoline.**



17



## 6.0 CARE AND MAINTENANCE

This trampoline was designed and manufactured with quality materials and craftsmanship. If proper care and maintenance is provided, it will provide all jumpers with years of exercise, fun, and enjoyment as well as reduce the risk of injury. Please follow the guidelines listed below:

This trampoline is designed to withhold a certain amount of weight and use. Please make sure that only one person at any one time uses the trampoline. Jumpers should either wear socks, gymnastics shoes, or be barefoot when using the trampoline. Please be aware that street shoes or tennis shoes should NOT be worn while using the trampoline. In order to prevent the trampoline mat from getting cut or damaged please do not allow any pets onto the mat. Also, jumpers should remove all sharp objects from their person prior to using the trampoline. Any type of sharp or pointed objects should be kept off the trampoline mat at all times.

### Maintenance instructions

It is particularly important to follow the following maintenance instructions at the beginning of each season and periodically during the use season:

- It is necessary to determine whether all nuts and bolts are tight, and if necessary they are tightened;
- It shall be verified that all spring-loaded connections (locking pin) are undamaged and not move while playing;
- Any cover screws and sharp edges must be checked and replaced if necessary;
- The maintenance manual shall be kept

Always inspect the trampoline before each use for worn, abused or missing parts. A number of conditions could arise that may increase your chances of getting injured. Please be aware of:

- Punctures, holes, or tears in the trampoline mat
- Sagging trampoline mat
- Loose stitching or any kind of deterioration of the mat
- Bent or broken frame parts, such as the legs
- Broken, missing, or damaged springs
- Damaged, missing, or insecurely attached frame pad
- Protrusions of any types (especially sharp types) on the frame, springs, or mat

**IF YOU FIND ANY OF THE PREVIOUS CONDITIONS, OR ANYTHING ELSE THAT YOU FEEL COULD CAUSE HARM TO ANY USER, THE TRAMPOLINE SHOULD BE DISASSEMBLED OR SECURED FROM USE UNTIL THE CONDITION(S) HAS BEEN RESOLVED.**

### WINDY CONDITIONS

In severe wind situations, the trampoline can be blown about. If you expect windy weather conditions, the trampoline should be moved to a sheltered area or disassembled. Another option is to tie the round, outside portion (top frame) of the trampoline to the ground using ropes and stakes. To ensure security, at least three (3) tie downs should be used.

### MOVING THE TRAMPOLINE

If you need to move the trampoline, two people should be used. All connector points should be wrapped secured with weather resistant tape, such as duct tape. This will keep the frame intact during the move and prevent the connector points from dislocating and separating. When moving, lift the trampoline slightly of the ground and keep it horizontal to the ground. For any type of other move, you should disassemble the trampoline.

## 7.0 Warranty

1. After the date of the purchase invoice, the owner of the EXIT Toys JumpArena has a:
  - 5-year warranty on the trampoline frame
  - 2-year warranty on the springs
  - 2-year warranty on the protective surround pad and the jump mat.
  - 2 year warranty on the breaking of the safety net frame
  - 1 year warranty on the tearing of the safety net
2. The warranty applies only to the material and construction defects with respect to this product or its components.
3. The warranty becomes defunct if:
  - This product is used incorrectly and/or carelessly and is used in such a way that it does not comply with its purpose.
  - This product is not assembled and maintained according to the instruction booklet.
  - Technical repairs to this product are not carried out professionally.
  - Parts, which are mounted afterwards, do not comply with the technical specifications of the product concerned or are mounted incorrectly.
  - Defects are a result of climatic influences such as corrosion, UV rays or normal disintegration.
  - The product is rented out or was made available to various unspecified persons in any other manner.
4. EXIT Toys will repair or replace according to its choice all material and construction defects that have been ascertained by EXIT Toys during the warranty period.
5. The owner of the EXIT Toys Trampoline is only entitled to the warranty by presenting the product for inspection at a EXIT Toys dealer. It should be handed to the EXIT Toys dealer, accompanied by the original purchase invoice.
6. In case of material and construction defects that have been ascertained by EXIT Toys, the product or its components will be repaired or replaced – according to its choice – free of charge during the warranty period mentioned in Article 1.
7. If the claim for warranty is not justifiable, all the costs are at the expense of the owner.
8. This warranty cannot be transferred to third parties.
9. The trampoline is designed for personal use. It is not permitted to rent out or place the trampoline in public areas like schools or day-care centres. The guarantee and any other liabilities shall expire if the playhouse is rented out or used in public areas.

## 1.0 Einführung

Glückwunsch zur Wahl des EXIT Toys JumpArena!

### **Amüsier dich, sei aktiv und spiele im Freien!**

Für diesen Spaß entwickeln wir innovative und hochwertige Spielzeuge für coole Kids.

Wir tun alles in unserer Macht stehende, um sichere Produkte für Kinder zu entwickeln. Da unsere Produkte als Spielzeuge klassifiziert werden, erfüllen wir die strengsten Sicherheitsvorschriften. Bevor unsere Produkte auf dem Markt kommen, veranlassen wir die Durchführung von unabhängigen Prüfungen zur Zertifizierung. Außerdem kontrollieren wir selbst ständig unsere Produktionsabläufe und lassen diese als weitere Kontrolle regelmäßig durch unabhängige Stellen überprüfen. Nur Produkte, die den höchsten EXIT Toys Standards gerecht werden, werden mit dem EXIT Toys label gekennzeichnet.

Wir danken Ihnen für Ihr Vertrauen in dieses Produkt. Und wir sind sicher, dass Ihre Kinder genau viel Spaß haben werden wie wir ihn während der Entwicklung hatten. Da wir aufgeschlossen sind, schätzen wir wirklich all Ihre Kommentare und Ideen, die uns bei der Verbesserung unserer Produkte bzw. bei der Entwicklung neuer Spielzeuge helfen. Sie sind herzlich eingeladen, uns Ihre Ideen unter [info@exittoys.com](mailto:info@exittoys.com) zu senden.

Besuchen Sie [www.exittoys.com](http://www.exittoys.com) und entdecken Sie weitere tolle neue Produkte.

Das EXIT Toys Team

## 2.0 Richtlinien für einen sicheren Gebrauch

Wenn das Trampolin entsprechend dieser Anleitung verwendet wird, sind praktisch alle Gefahren ausgeschlossen. Bedenken Sie allerdings, dass Kinder einen natürlichen Spieldrang haben und dass dies zu unvorhergesehenen gefährlichen Situationen führen kann, für die der Hersteller nicht haftbar gemacht werden kann. Weisen Sie Ihre Kinder in die sichere Verwendung des Produkts ein und auf mögliche Gefahren hin.

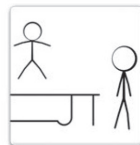
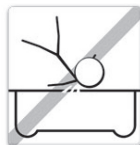
**Lesen Sie vor dem Zusammenbau und der Verwendung des Produkts die folgenden wichtigen Warnhinweise durch und befolgen Sie diese:**



### WARNUNG Zur Vermeidung von schweren Verletzungen:



- Vor Gebrauch müssen Sie die Bedienungsanleitung gelesen und verstanden haben.
- Achtung! Dieses Produkt ist nur für den häuslichen Gebrauch bestimmt.
- Achtung! ERSTICKUNGSGEFAHR! - Kleinteile. Nicht für Kinder unter 3 Jahren geeignet.
- Kinder schützen
  - Verhindern Sie Stürze und Strangulation
  - Verlassen Sie das Sicherheitsnetz nur durch die Tür; seien Sie dabei vorsichtig.
  - Helfen Sie kleineren Kindern in das Safety Net hinein- und hinauszukommen.
- Achtung! Es darf nie mehr als 1 Person gleichzeitig auf dem Trampolin sein.
- Achtung! Keine Saltos oder andere schwierige Sprünge durchführen!
- Achtung! Vor Verwendung des Trampolins die (Hosen-)Taschen leeren!
- Nur unter Aufsicht eines Erwachsenen verwenden.
- Benutzen Sie niemals das Trampolin, wenn es nass ist.
- Das Spielzeug ist vor Gebrauch von einem Erwachsenen zu montieren.
- Falls Teile nicht mitgeliefert wurden oder fehlerhaft sind, wenden Sie sich bitte an Ihre Verkaufsstelle.
- Achtung: Wir können nicht haftbar gemacht werden für Verletzungen die während des Gebrauchs des Trampolins auftreten können.
- Max. Belastungsgewicht: 120 kg.



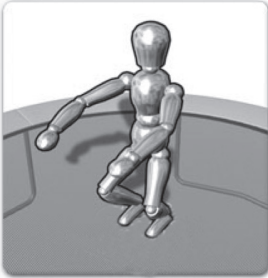
## 2.1 Warnhinweise zur Sicherheit:

- **BEVOR SIE IHR TRAMPOLIN IN GEBRAUCH NEHMEN:** Sie müssen diese Gebrauchsanweisung vollständig lesen und verstehen. Wie bei allen Körpersportarten und Aktivitäten trägt der Ausübende das Verletzungsrisiko. Um Ihre künftige Freude am Gerät sicherzustellen und auch, um Verletzungen vorzubeugen, befolgen Sie die Sicherheitsbestimmungen und -tipps.
- Diese Gebrauchsanweisung muss erhalten bleiben.
- Schließen Sie das Sicherheitsnetz jedes Mal, bevor das Trampolin im Betrieb genommen wird.
- **SUCHEN SIE IMMER EINEN ARZT AUF, BEVOR SIE JEDLICHE ART VON KÖRPERLICHER ANSTRENGUNG DURCHFÜHREN.**
- **PRÜFEN SIE IHR TRAMPOLIN VOR JEDEM GEBRAUCH. ACHTEN SIE DABEI BESONDERS AUF ALLE BOLZEN, DAS SPRUNGTUCH UND DIE POSITION DER MATTEN. BENUTZEN SIE DAS TRAMPOLIN NICHT, WENN TEILE FEHLEN ODER ANZEICHEN VON ABNUTZUNG SICHTBAR SIND.**
- **STELLEN SIE STETS SICHER, DASS DAS TRAMPOLIN IMMER NUR VON EINER EINZIGEN PERSON VERWENDET WIRD.**
- **STELLEN SIE STETS SICHER, DASS DAS TRAMPOLIN IMMER NUR UNTER AUFSICHT VERWENDET WIRD, GLEICHGÜLTIG VON ERFAHRUNG ODER FÄHIGKEITEN**
- Unterbrechen Sie Ihre Übungen sofort, falls Sie sich unwohl fühlen oder Schmerzen in den Gelenken und Muskeln verspüren. Schwindel ist ein Zeichen von Müdigkeit und Sie sollten mit dem Springen aufhören und sich auf den Boden legen, wenn Ihnen schwindlig ist.
- Sie dürfen dieses Trampolin nur mit geeigneter Kleidung gebrauchen, vorzugsweise Sportkleidung und -socken. **TRAGEN SIE NIEMALS SCHUHE AUF DER MATTE.**
- Seien Sie sich bewusst, dass das Trampolin mit Federn versehen ist und der Anwender dadurch größere Höhen springen kann, als die Höhe zum Boden beträgt. Vergessen Sie das niemals und üben Sie das Springen zu Beginn erst mit kleinen Sprüngen, bis Sie sich dabei wohlfühlen.
- Ordnungsgemäßer Zusammenbau, Pflege und Wartung dieses Produkts, Sicherheitshinweise und -warnungen, sowie die richtigen Sprungtechniken sind Teil dieser Anleitung und zu Ihrer Sicherheit und einer langen Lebensdauer Ihres Trampolins gedacht. Alle Verwender und Aufsichtspersonen sollten sich aus diesem Grund mit diesen Anleitungen vertraut machen. Jeder, der das Trampolin gebraucht, muss sich seinen eigenen Einschränkungen bewusst sein in Bezug auf seine Fähigkeiten in der Anwendung dieses Trampolins.
- Das Trampolin sollte auf Gras oder auf einer von BSI freigegebenen Sicherheitsmatte aufgebaut werden.
- Dieses Produkt ist nur für den häuslichen Gebrauch bestimmt.
- **BEWEGEN DES TRAMPOLINS.** Zum Bewegen des Trampolins sind 2 Personen benötigt werden. Heben Sie das Trampolin zum Umstellen leicht vom Boden an und halten Sie es horizontal zum Boden. Um das Trampolin auf eine andere Weise umzustellen, müssen Sie es auseinanderbauen. Zur Demontage benutzen Sie die Aufbauanleitung in umgekehrter Reihenfolge.



## 2.2 ERSTMALIGE VERWENDUNG DES TRAMPOLINS

Sie sollten sich mit Ihrem Trampolin vertraut machen und verstehen, wie viel Kraft in jedem Sprung stecken kann. Ihr Hauptmerkmal sollte zuerst Ihre Körperhaltung und Technik sein, bis jede Übung mit Leichtigkeit und kontrolliert durchgeführt werden kann.



- **BEVOR SIE ZU HOCH SPRINGEN** Das Stoppen sollte beherrscht werden, da es Verletzungen verhindern kann, sollten Sie das Gefühl haben unkontrolliert zu springen.
- Wenn der Springende auf dem Tuch aufkommt, sollten die Knie gebeugt sein, so dass sie den Sprung abfangen. Die Position wird auf dem Bild links angezeigt. Arme für zusätzliches Gleichgewicht auseinanderhalten.
- Diese Übung wird verwendet, wenn der Trampolin-Benutzer das Springen aufgrund von Müdigkeit, Kontrollverlust, etc. einstellen will.



**PURZELBÄUME (FLIPS): NIEMALS** irgendwelche Purzelbäume (weder rückwärts noch vorwärts) auf diesem Trampolin durchführen. Bei einem Fehler bei der Durchführung eines Purzelbaums, könnten Sie auf den Kopf oder den Hals fallen. Das erhöht Ihr Risiko einer Hals- oder Rückenverletzung und könnte zum Tod oder zur Lähmung führen.



**FREMDE OBJEKTE: NIEMALS** das Trampolin benutzen, wenn sich Tiere, andere Menschen oder Objekte unter dem Trampolin befinden. Dies erhöht die Verletzungsgefahr. Halten Sie keine fremden Gegenstände in Ihrer Hand und legen Sie **KEINE** Objekte auf das Trampolin während Sie es benutzen. Stellen Sie das Trampolin **NICHT** unter überhängenden Objekten auf, wie Baumzweige, Drähte, etc. da dies die Verletzungsgefahr erhöht.



**A SCHLECHTE WARTUNG DES TRAMPOLINS:** Ein Trampolin in schlechtem Zustand erhöht die Verletzungsgefahr. Bitte untersuchen Sie das Trampolin vor jedem Gebrauch auf verbogene Stahlrohre, zerrissene Matten, lockere oder gebrochene Federn und prüfen Sie die allgemeine Stabilität.

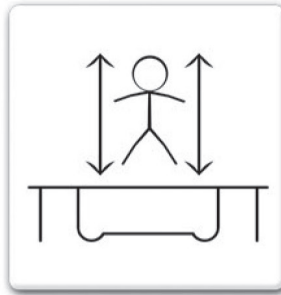


**WETTERBEDINGUNGEN:** Bitte beachten Sie die Wetterbedingungen, wenn Sie das Trampolin benutzen. Benutzen Sie niemals das Trampolin, wenn es nass ist. Ist es zu windig, könnte der Anwender die Kontrolle verlieren.



**BESCHRÄNKTER ZUGRIFF:** Wenn das Trampolin nicht verwendet wird, verstauen Sie die Zugangsleiter immer an einem sicheren Ort, damit unbeaufsichtigte Kindern nicht auf dem Trampolin spielen können.

## 2.3 TIPPS UM DIE UNFALLGEFAHR ZU REDUZIEREN



Um die Unfallgefahr zu reduzieren, sollten Sie, der "TRAMPOLIN-USER":

- Immer Kontrolle über Ihre Sprünge und Körperhaltung haben.
- Keine Übung durchführen, die über Ihr Können hinausgeht.
- Den Sprung verstehen, bevor Sie ihn auf der Matte durchführen und in der Mitte des Trampolins aufkommen.
- Immer vertikal springen und vermeiden, auf die Federn zu springen.
- Immer einen ausgebildeten Trampolin-Lehrer befragen, bevor Sie weiterführende Übungen versuchen.

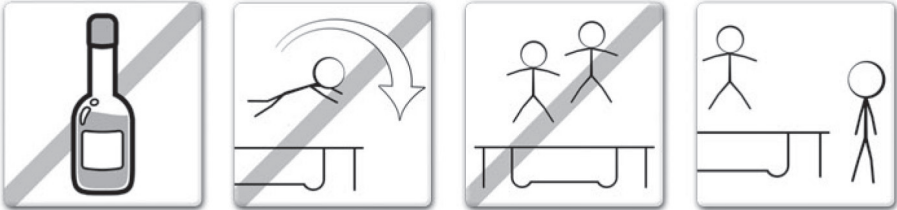
Um das Unfallrisiko zu senken, sollte der "SUPERVISOR":

- Alle Sicherheitsregeln und -Richtlinien vollständig verstehen und diese auch durchsetzen.
- Den Trampolin-User über dessen Wissen in Bezug auf das Trampolin befragen, um dessen Sicherheit zu gewährleisten.
- Aufmerksam sein und den Trampolin-User auf alle Sicherheitswarnungen hinweisen.

**WICHTIG: Wenn das Trampolin nicht überwacht werden kann, sollte es eine Methode zur Sicherung geben, damit niemand es verwendet, bevor Überwachung gegeben ist.**

## 2.4 SICHERHEITSANWEISUNGEN

### VORSICHTSMASSNAHMEN FÜR DEN GEBRAUCH DES TRAMPOLINS



- Benutzen Sie das Trampolin nicht, wenn Sie Alkohol oder Drogen zu sich genommen haben.
- Sie sollten immer vorsichtig und kontrolliert auf das Trampolin hinauf- und hinabklettern. Springen Sie niemals auf oder ab und verwenden Sie das Trampolin niemals, um auf oder in andere Objekte zu springen.
- Lernen Sie immer den Grundsprung und beherrschen Sie jede Art von Sprung, bevor Sie sich an schwierigere Sprüngen versuchen. Wiederholen Sie den Abschnitt zu den Grundsprüngen um diese zu erlernen.
- Um den Sprung zu unterbrechen, gehen Sie in die Knie, wenn Sie auf Ihren Füßen aufkommen.
- Springen Sie immer kontrolliert auf dem Trampolin. Bei einem kontrollierten Sprung landen Sie auf der gleichen Stelle, wie Sie abgesprungen sind. Wenn Sie jemals das Gefühl haben, keine Kontrolle zu haben, brechen Sie den Sprung sofort ab.
- Springen oder hüpfen Sie nicht übermäßig lange oder zu hoch. Halten Sie Ihre Augen auf der Matte, um die Kontrolle zu behalten. Wenn nicht, könnten Sie Ihr Gleichgewicht verlieren.
- Es darf nie mehr als 1 Person gleichzeitig auf dem Trampolin sein.

### SICHERHEITSMASSNAHMEN ZUR ÜBERWACHUNG DES TRAMPOLINS

- **WICHTIG:** Machen Sie sich vertraut mit den Grundsprüngen und Sicherheitsregeln. Um die Risikogefahr zu reduzieren, stellen Sie sicher, dass alle Sicherheitsregeln befolgt werden und dass neue Anwender die Grundsprünge lernen, bevor sie fortgeschrittene Techniken anwenden.
- **ALLE USER** müssen beaufsichtigt werden, gleichgültig wie geübt oder wie alt sie sind.
- Benutzen Sie niemals das Trampolin, wenn es nass, beschädigt, schmutzig oder abgenutzt ist. Das Trampolin sollte vor jeder Verwendung überprüft werden.
- Halten Sie alle Gegenstände, die die Benutzung des Trampolins stören könnten, immer davon fern. Achten Sie darauf, was über, unter und um das Trampolin herum ist.
- Um unbeaufsichtigte oder nicht-autorisierte Benutzung zu vermeiden, sollte das Trampolin immer gesichert sein.

## 2.5 UNFALL KLASSIFIZIERUNG & IDENTIFIKATION



### **EIN- UND AUSSTEIGEN:**

Seien Sie sehr vorsichtig, wenn Sie das Trampolin betreten oder verlassen. Steigen Sie NICHT auf das Trampolin, indem Sie sich an der Matte festhalten, auf die Federn steigen oder von einem anderen Gegenstand auf die Matte springen (z.B. einer Terrasse, Decke oder Leiter). Dies ist extrem gefährlich. Springen Sie NICHT vom Trampolin herunter auf den Boden. Kleine Kinder auf dem Trampolin könnten Hilfe brauchen, wenn sie auf das Trampolin klettern oder es verlassen wollen.



### **KONSUM VON ALKOHOL ODER DROGEN:**

Konsumieren Sie KEINEN Alkohol oder Drogen (einschließlich Medikamente, die die Koordination beeinflussen können), wenn Sie das Trampolin verwenden. Dies ist extrem gefährlich, da Fremdstoffen Ihr Urteilsvermögen, Ihre Reaktionszeit und die allgemeine körperliche Koordination beeinflussen können.



### **MEHRERE USER:**

Es darf nie mehr als 1 Person gleichzeitig auf dem Trampolin sein.



### **DEN SPRUNGRAHMEN BERÜHREN:**

Wenn Sie sich auf dem Trampolin bewegen, BLEIBEN Sie in der Mitte der Matte. Das senkt das Verletzungsrisiko bei Landung auf dem Sprungrahmen. Lassen Sie immer die Rahmenabdeckung auf dem Trampolin. Springen Sie nicht auf den Sprungrahmen und stellen Sie sich nicht direkt darauf, denn er ist nicht auf das Gewicht einer Person ausgelegt.



### **KONTROLLVERLUST:**

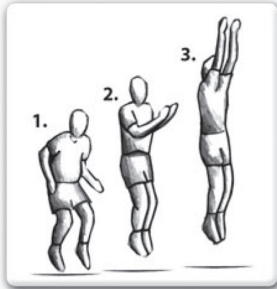
Versuchen Sie KEINE schwierigen Übungen, bis Sie die Grundsprünge beherrschen. Wenn Sie diese Richtlinien nicht befolgen, erhöhen Sie die Verletzungsgefahr.

**Achtung! Alle 10 Minuten eine Pause machen.**

## 3.0 TRAMPOLIN TECHNIKEN

### GRUNDÜBUNGEN

#### GRUNDÜBUNG 1: Der Grundsprung



- Aus der stehenden Position heraus, Füße schulterweit auseinander, Kopf hoch und Augen auf das Trampolin gerichtet.
- Arme vorwärts und über dem Kopf kreisförmig schwingen.
- Beine und Füße "Mit-Luft" zusammenbringen und Zehen strecken.
- Auf der Matte landen mit Füßen schulterweit auseinander (wie Ausgangsposition).
- Wenn man sich mit der Durchführung wohlfühlt und sie beherrscht, kann man mit dem nächsten Sprung weitermachen.

#### GRUNDÜBUNG 2: Der Kniefall

- Beginnen Sie mit einem tiefen Grundsprung, wie oben beschrieben.
- Landen Sie auf den Knien, die schulterweit auseinander sind, Rücken gerade halten und eine starke Körperposition einnehmen, dabei Arme zur Seite oder nach vorne, um das Gleichgewicht zu halten.
- Springen Sie zurück in die Grundsprung-Position indem Sie den Sprung-Moment verwenden und die Arme über dem Kopf schwingen.
- Wenn Sie das auf dieser Höhe beherrschen, versuchen Sie etwas höher zu springen, aber vergessen Sie nicht, Ihre Höhe immer zu kontrollieren.



#### GRUNDÜBUNG 3: Der Po-Fall



- Beginnen Sie mit einem tiefen Grundsprung (GRUNDÜBUNG 1) in der Grundposition.
- Landen Sie mit den Beinen vor Ihnen, dabei Hände an Ihre Hüften und eine starke Körperposition einnehmen.
- Zusammen mit dem Sprung-Moment, drücken Sie mit den Händen nach oben, um in die stehende Position zu gelangen.
- Wenn Sie das auf dieser Höhe beherrschen, versuchen Sie etwas höher zu springen, aber vergessen Sie nicht, Ihre Höhe immer zu kontrollieren.

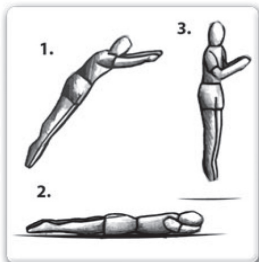
**WICHTIG:** Bitte fragen Sie einen ausgebildeten Trampolin-Lehrer, bevor Sie schwierigere Übungen versuchen, um sicherzustellen, dass das größtmögliche Sicherheitsniveau immer noch gewährleistet ist.

**TRAMPOLIN TECHNIKEN: FORTGESCHRITTENE ÜBUNGEN****FORTGESCHRITTENE ÜBUNG 1: Der Grundsprung**

- Beginnen Sie mit einem tiefen Grundsprung (GRUNDÜBUNG 1) aus der Grundposition heraus.
- Landen Sie gleichzeitig auf Händen und Knien, wobei der Rücken horizontal zum Sprungtuch sein muss und Hände und Beine schulterweit auseinander sein müssen.
- Zusammen mit dem Sprung-Moment, drücken Sie mit den Händen nach oben, um in die stehende Position zu gelangen.
- Wenn Sie das auf dieser Höhe beherrschen, versuchen Sie etwas höher zu springen, aber vergessen Sie Ihre Höhe nicht, immer zu kontrollieren.
- Wenn man sich bei der Durchführung wohlfühlt und sie beherrscht, kann man mit dem nächsten Sprung weitermachen

**FORTGESCHRITTENE ÜBUNG 2: Hände und Knie auf Vorwärts-Fall**

- Landen Sie gleichzeitig auf Händen und Knien, wobei der Rücken horizontal zum Sprungtuch sein muss und Hände und Beine schulterweit auseinander sein müssen.
- Mit starker Körperposition und Rücken horizontal zur Matte, gestreckte Beine hinten, kreuzen Sie die Arme "Mit-Luft" vor dem Gesicht, bereit, um in einer liegenden Position auf der Matte zu landen.
- Bei der Landung müssen alle Körperteile die Matte gleichzeitig berühren.
- Drücken Sie sich mit den Händen hoch und kommen Sie zum Stehen.
- Wenn Sie das auf dieser Höhe beherrschen, versuchen Sie etwas höher zu springen, aber vergessen Sie Ihre Höhe nicht. Wenn man sich bei der Durchführung wohlfühlt und sie beherrscht, kann man mit dem nächsten Sprung weitermachen.

**FORTGESCHRITTENE ÜBUNG 3: Der Vorwärts-Fall**

- Beginnen Sie mit einem tiefen Grundsprung (GRUNDÜBUNG 1) aus der Grundposition heraus.
- Mit starker Körperposition und Rücken horizontal zur Matte, gestreckten Beinen hinten, kreuzen Sie die Arme "Mit-Luft" vor dem Gesicht, bereit, um in einer liegenden Position auf der Matte zu landen.
- Bei der Landung müssen alle Körperteile die Matte gleichzeitig berühren.
- Drücken Sie sich mit den Händen hoch und kommen Sie zum Stehen.

**WICHTIG: Wenn Sie weitere Fortschritte machen wollen und noch weiter fortgeschrittene Sprünge erlernen wollen, dann wenden Sie sich bitte an einen ausgebildeten Lehrer**

## 4.0 Allgemeine Informationen

- Das Trampolin braucht im Winter nicht abgebaut werden.
- Die selbstsichernden Muttern und Schrauben können nur einmal verwendet werden und sind nach dem Abbau des Trampolins und/oder des Sicherheitsnetzes zu ersetzen.
- Das Sicherheitsnetz hat eine Lebensdauer von mindestens 5 Jahren nach dem Anschaffungsdatum.
- Trampoline auf einer geraden Fläche mit einer Entfernung von mindestens 2 Metern zu anderen Gebäuden oder Hindernissen aufstellen, wie beispielsweise Zäunen, Garagen, Häusern, Zweige von Bäumen, Wäscheleinen oder Stromkabeln.
- Das Trampolin nicht auf eine harte Oberfläche stellen, wie Asphalt oder Beton etc.
- Defekte Teile immer entsprechend der Herstellerempfehlung austauschen.
- Änderungen am Trampolin (z. B. die Verwendung von Zubehör) dürfen nur gemäß Herstellerempfehlungen vorgenommen werden.

## 5.0 TRAMPOLIN ZUSAMMENBAU

### ZUSAMMENBAU - SCHRITT FÜR SCHRITT

**Nur von Erwachsenen zusammenbauen lassen.**

Zum Zusammenbau dieses Trampolins brauchen Sie nur unser beiliegendes Spezial-Federspannwerkzeug. Wird es nicht benutzt, kann dieses Trampolin ganz einfach auseinandergelagert und eingelagert werden.

Bitte lesen Sie die Anleitung genau durch, bevor Sie mit der Montage beginnen.

Die Tabelle beinhaltet die Teilebeschreibung und Teilenummern. In dieser Anleitung werden diese Beschreibungen und Nummern als Referenz verwendet.

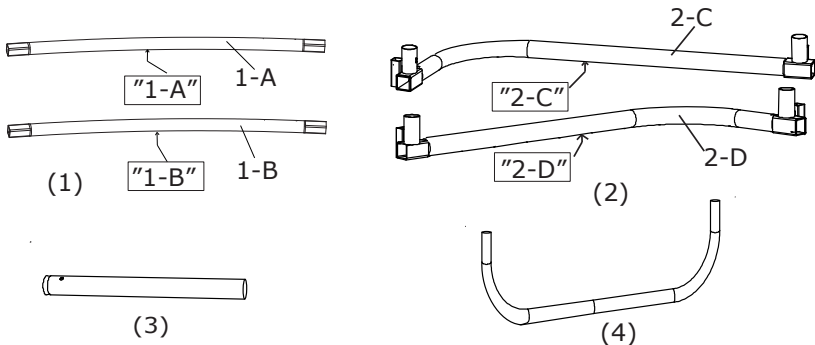
Stellen Sie sicher, dass Sie alle aufgeführten Teile haben. Falls Teile fehlen sollten, so nehmen Sie bitte Kontakt mit der Verkaufsstelle auf.

**Bitte benutzen Sie Handschuhe um zu vermeiden, dass Ihre Hände während des Aufbaus eingeklemmt werden. Wenn Sie startbereit sind, sorgen Sie bitte für genügend Platz und einen sauberen, trockenen Ort für den Zusammenbau.**

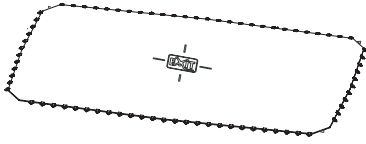
## Teilleiste

Ref.Nr.	Beschreibung	#
1	Mittleres Rohr (zwei Rohre 1-A inbegriffen, zwei Rohre 1-B)	4
2	Eckrohr (zwei Eckrohre 2-C inbegriffen, zwei Eckrohre 2-D)	4
3	Vertikale Stützverlängerung	8
4	Stütze	4
5	Sprungmatte	1
6	Feder	76
7	Rahmenmatte	1
8	M6X55 mm Schraube	16
9	M6 Unterlegscheibe	32
10	M6 Mutter	16
11	Oberes Rohr + Schaum	8
12	Unteres Rohr + Schaum	8
13	Hülse	8
14	Stangenkappe	8
15	Schlusskappe	8
16	Netz	1
17	M4.8X16 mm Schraube	8
18	Schnur	4
19	Leiter	1
20	Schuhbeute	1
#	Werkzeug	1 Set
	Warnaufkleber	1

Hierin aufgeführt sind die Spezifikation und Produkteigenschaften, wie sie zum Zeitpunkt des Drucks gültig waren. Produkt, Verfügbarkeit, Spezifikationen und Eigenschaften können sich jedoch ohne vorherige Ankündigung ändern.



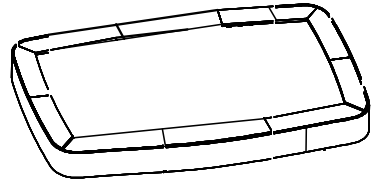




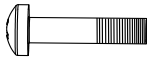
(5)



(6)



(7)



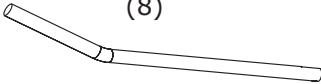
(8)



(9)



(10)



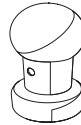
(11)



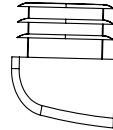
(12)



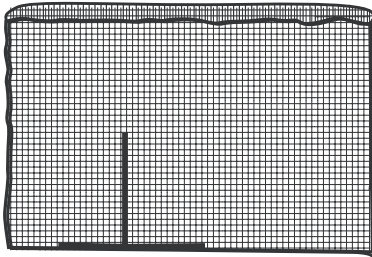
(13)



(14)



(15)



(16)



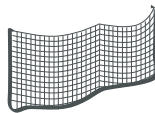
(17)



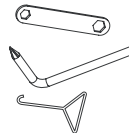
(18)



(19)



(20)



Tools



Warning Label

#

### Schritt 1

Stecken Sie die vertikale Stützverlängerung (3) in das Eckrohr (2-C). Sichern Sie das eine M6x55 mm Schraube (8), zwei M6 Unterlegscheiben (9), M6 Mutter (10) wie gezeigt.

Dann stecken Sie die beiden Enden des Teilstücks (4) in die vertikale Stützverlängerung (3). Sichern Sie das durch eine M6x55 mm Schraube (8), zwei M6 Unterlegscheiben (9), M6 Mutter (10) wie abgebildet.

Unit E ist nun fertig.

**Achtung: Ziehen Sie die Muttern nicht an.**

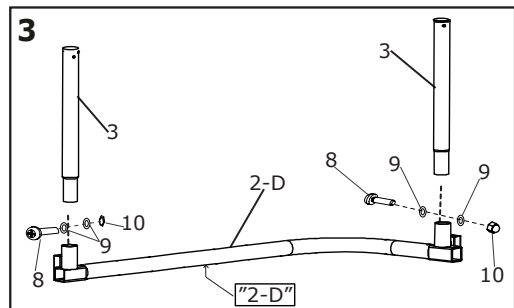
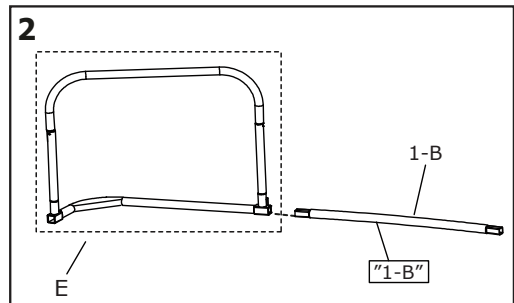
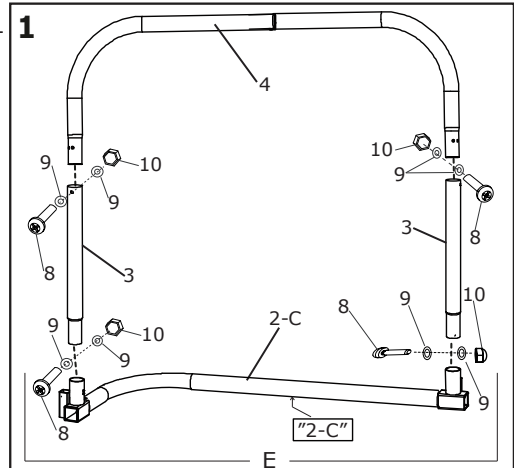
### Schritt 2

Fügen Sie Unit E und das mittlere Rohr (1-B) zusammen, wie abgebildet.

Wiederholen Sie Schritt 1 und 2 bis die beiden vertikalen Stützverlängerungen fertig sind.

### Schritt 3

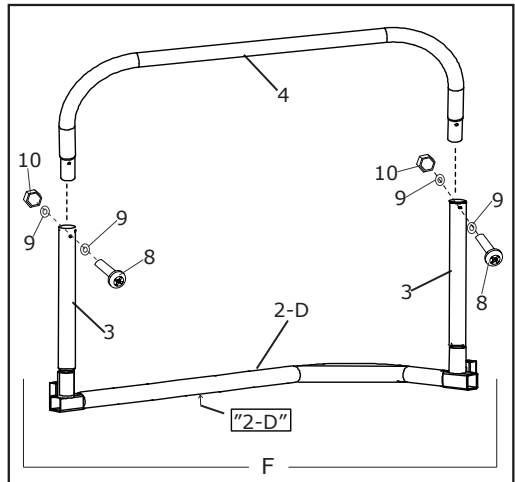
Stecken Sie die vertikale Stützverlängerung (3) in das Eckrohr T (2-D) sichern Sie mit M6x55 mm Schraube (8), zwei M6 Unterlegscheiben (9), M6 Mutter (10) wie abgebildet.



Stecken Sie die Enden des Teilstücks (4) in die vertikale Stützverlängerung (3). Sichern Sie mit einer M6x55 mm Schraube (8), zwei M6 Unterlegscheiben (9), M6 Mutter (10) wie gezeigt.

Unit F ist jetzt fertig.

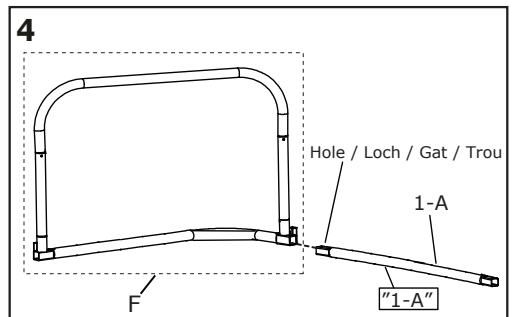
**Achtung: Ziehen Sie die Muttern nicht an.**



#### Schritt 4

Stecken Sie Unit F und das mittlere Rohr (1-A) wie gezeigt zusammen.

Wiederholen Sie die Schritte 3-4 bis die beiden vertikalen Stützverlängerungen fertig sind.

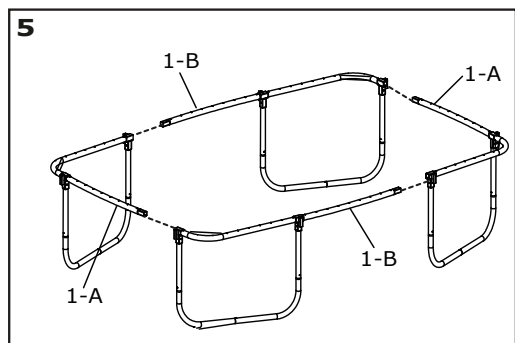


#### Schritt 5

Stellen Sie zwei Teilstücke und halten Sie sie in den gezeigten Positionen. Stecken Sie das kurze Ende in den Oberbalken mit Stützhülse. Wiederholen Sie diesen Schritt bis alle vier Teilstücke verbunden sind.

Der Rahmen ist nun fertig montiert und freistehend.

**Achtung: Ziehen Sie alle Muttern gut an.**



**WARNUNG!!** : Seien Sie vorsichtig mit Ihren Händen und anderen Körperteilen. Die Verbindungspunkte und Federverbindungen können die Hände und andere Körperteile quetschen.

## Schritt 6

Um den Mattenrand befinden sich 68 'V-Ringe' und 4 'D-Ringe' (5) und 76 Löcher rund um die Oberkante des Rahmens. Befestigen Sie die Matte (5) am Rahmen und benutzen Sie dabei die 76 Federn (6).

### Bringen Sie die Feder (6) wie folgt an:

1. Haken Sie das eine Ende einer Feder in einen an der Matte angenähten V-Ring ein.
2. Haken Sie zum Spannen ein Feder-Werkzeug in das freie Ende der Feder ein, wie auf der Zeichnung zu sehen.
3. Ziehen Sie mit dem Feder-Werkzeug bis die Feder den Rahmen erreicht. reach the frame.
4. Push the end of the spring into a hole in the frame. Unhook the spring tool.

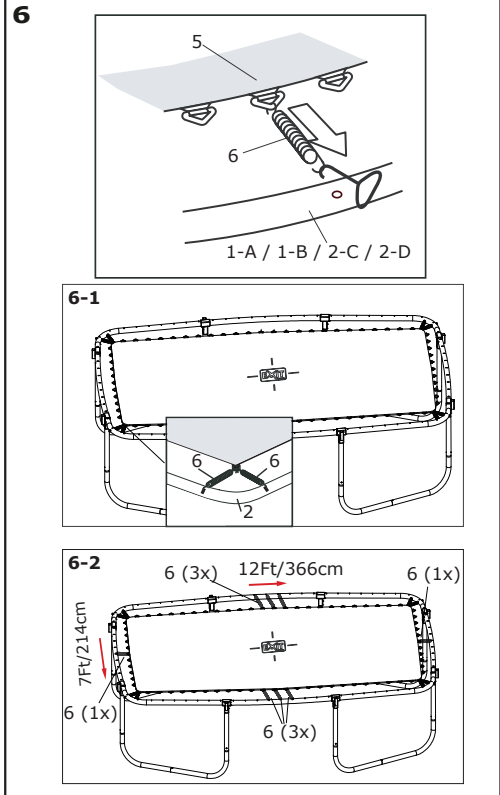
### 6.1

Befestigen Sie den angenähten D-Ring an der Mattenecke am Eckrohr und benutzen Sie dabei die beiden Federn wie gezeigt. Es sind dann acht Federn angebracht, zwei Federn an jeder Ecke.

### 6.2

Zählen Sie genau 10 Rahmenlöcher und 10 V-Ringe in die 12ft-Richtung ab. Bringen Sie drei große Federn an (6-A). Wiederholen Sie das auf der gegenüberliegenden 12ft-langen Seite des Trampolins.

Zählen Sie genau 5 Rahmenlöcher und 5 V-Ringe in der 7ft Richtung ab. Bringen Sie 1 Feder an. Wiederholen Sie das auf der gegenüberliegenden 8ft-kurzen Seite des Trampolins. Sie sollten nun 16 Federn angebracht haben. Fahren Sie damit fort, die verbleibenden großen Federn zwischen den vorigen anzubringen.



**Achtung: Es empfiehlt sich beim Anbringen der Federn Lederhandschuhe zu tragen. Achten Sie gut auf Ihre Hände, denn Federn und Scharniere können quetschen.**

**Bitte beachten: Die Feder hat einen großen Haken zur Befestigung am Rahmen und einen kleinen Haken, der am Mattenring angebracht wird.**

**Bitte beachten: Beim Anbringen der Federn zählen Sie bitte die V-Ringe und Rahmenlöcher sorgfältig. Wurde ein V-Ring oder ein Loch überschlagen, bringen Sie die Feder erneut in die richtige Position.**

## Schritt 7

Legen Sie die Rahmenmatte (7) auf den Rahmen. Passen Sie die Position der Rahmenmatte so an, dass die Schlitz genau darüber liegen.

**Bitte beachten: Die Rahmenmatte gibt es in zwei Farben: grün und grau. Sie können wählen.**

Betrachten Sie Ihr Trampolin von unten. Befestigen Sie die Bänder mit dem Rahmen.

Befestigen Sie die restlichen Bänder. (nicht abgebildet).

### Bitte beachten:

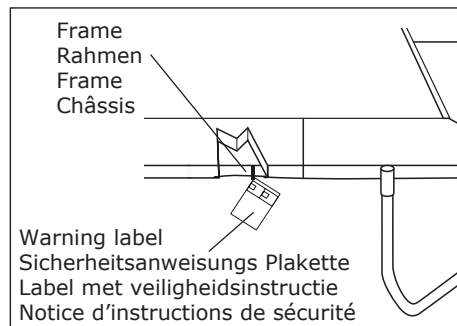
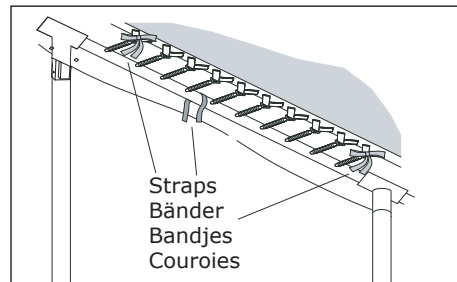
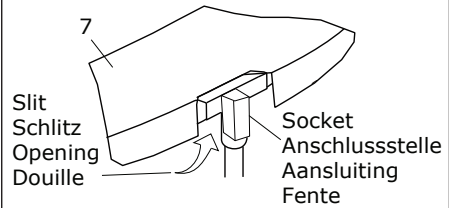
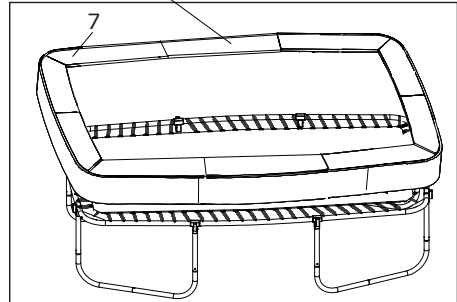
Benutzen Sie das Trampolin nicht ohne Rahmenpolsterung. Die Rahmenpolsterung dient der Vermeidung von Verletzungen, wenn der Springer mit dem Rahmen in Berührung kommt.

Durch den mitgelieferten Kunststoff-Kabelbinder befestigen Sie das Warnschild an der Stelle des Rahmens, wo die Springer das Trampolin betreten und verlassen. the point where jumpers will climb onto and off the trampoline.

7



Choose Green or Grey  
Wählen Sie Grün oder Grau  
Kies Groen of Grijs  
Choisissez vert ou gris

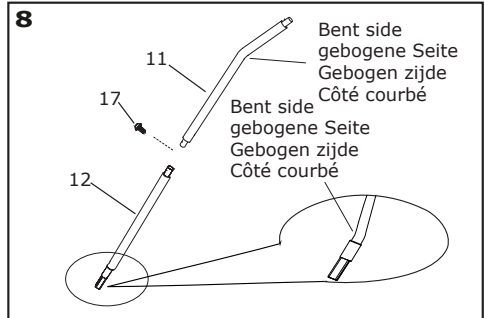


### Schritt 8

Schieben Sie das untere schaumstoffummantelte Rohr (12) in das obere schaumstoffummantelte Rohr (11). Secure with an M4.8x16 mm Schraube screw (17).

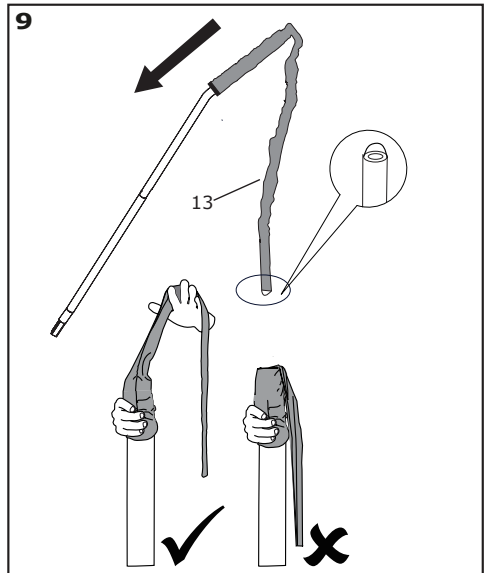
**Bitte beachten:**

**Stellen Sie sicher, dass die gebogenen Seiten des oberen Rohres (11) und des unteren Rohres (12) einander gegenüberliegen. other.**



### Schritt 9

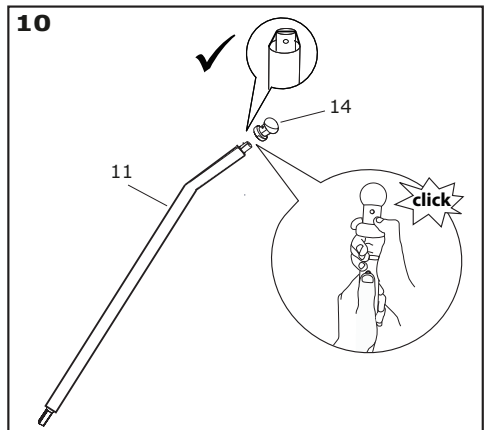
Schieber montiert die Rohre in die Hülse (13).



### Schritt 10

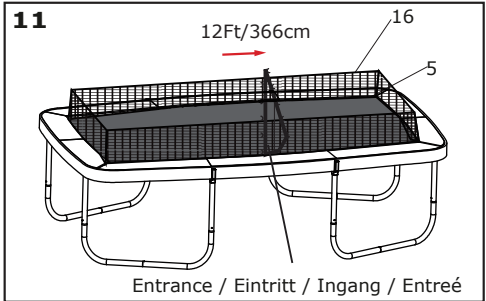
Setzen Sie die Stangenkappe (14) auf das obere Rohr (11) wie gezeigt shown.

Wiederholen Sie die Schritte 8-10 um die übrigen sieben oberen schaumstoffummantelten Rohre (11), die unteren schaumstoffummantelten Rohre (12), Hülsen (13) und Stangenkappen (14) zu montieren.



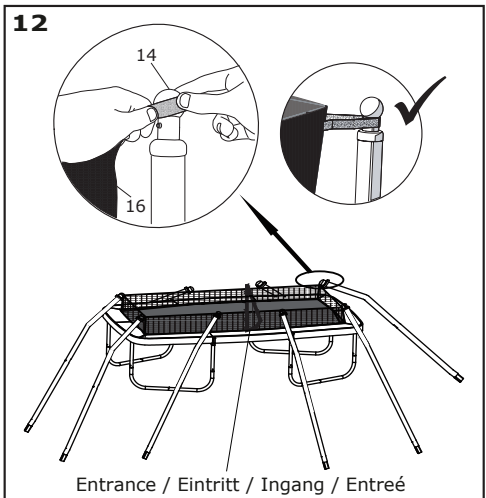
### Schritt 11

Legen Sie das Netz (16) auf die Matte (5). Stellen Sie sicher, dass sich die Umzäunungsöffnung in der Mitte 12Ft-Richtung befindet, wie gezeigt.



### Schritt 12

Schieben Sie die Stangenkappe (14) in das Band auf dem oberen Rand des Netzes (16) wie abgebildet.



### Schritt 13

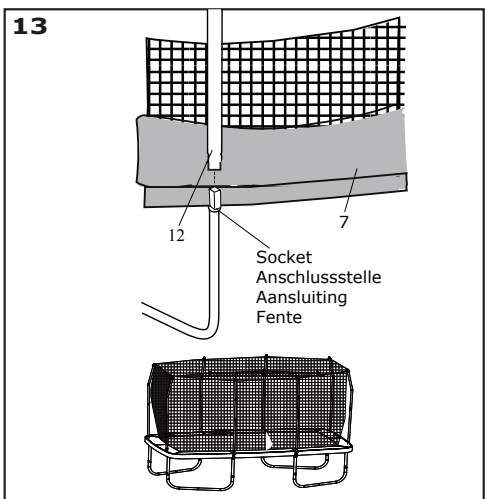
Beginnend bei der Einzäunungsöffnung schieben Sie das untere Rohr in die obere Öffnung der Stützhülse, top hole of socket.

**Stellen Sie sicher, dass die gebogenen Seiten der oberen Rohre (11) auf die Mitte des Trampolins ausgerichtet sind.**

**Bitte beachten:**

**Die Enden der unteren Rohre (12) sind scharf. Gehen Sie bei der Montage vorsichtig vor.**

Ihr Trampolin und die umzäunende Eingrenzung sehen nun aus wie abgebildet.



## Schritt 14

Achtung: Bei Schritt 14, "nähen" Sie den unteren Netzrand (16) mit einer Schnur an die V-Ringe der Sprungmatte (18). Nehmen Sie den V-Ring, der der Öffnung am nächsten ist. Führen Sie ein Ende der Schnur (18) durch den unteren Netzrand (16) über dem V-Ring und dann ziehen Sie die Schnur durch den V-Ring. Befestigen Sie das Netz am V-Ring durch einen doppelten Knoten in der Schnur.

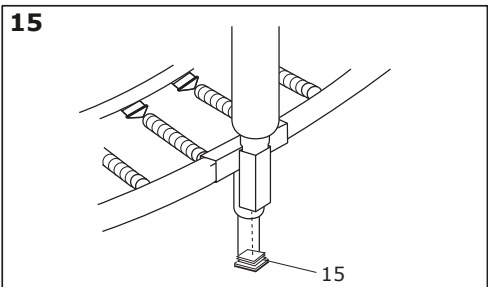
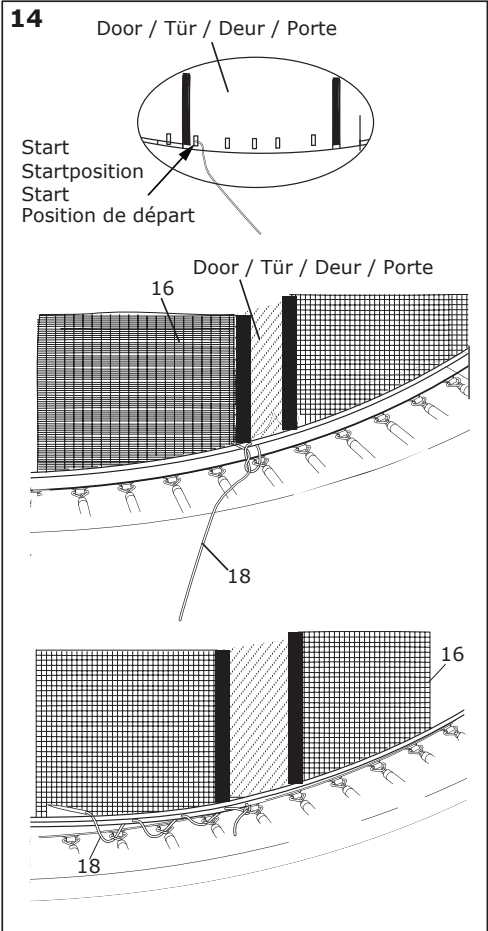
Ziehen Sie die Schnur (18) durch den unteren Netzrand (16) mitten zwischen dem ersten V-Ring und dem V-Ring links und dann ziehen Sie die Schnur durch den linken V-Ring. Wiederholen Sie das bis die ganze Schnur durch Netz und V-Ring gezogen ist, wie abgebildet. Halten Sie die Schnur straff. Befestigen Sie das Ende der Schnur am zuletzt erreichten V-Ring. Wiederholen Sie diesen Prozess bis alle Schnüre befestigt sind.

Befestigen Sie eine zweite Schnur (nicht abgebildet) an dem V-Ring, der zuletzt von der ersten Schnur erreicht ist.

Ziehen Sie die zweite Schnur durch das Netz (16) und den V-Ring wie oben beschrieben. Stellen Sie sicher, dass das Netz an jedem V-Ring des Trampolins befestigt ist.

## Schritt 15

Schieben Sie die Stangenkappe (15) in die untere Öffnung der Stützhülse.





## Schritt 16

Leiter (19) Montage.

Schieben Sie die Leitersprosse (1) in die Stange (2) wie abgebildet. Sichern Sie mit einer M6x40 mm Schraube (3) und einer M6 Mutter (4).

Schieben Sie das untere Rohr (5) und die Stange ineinander, wie abgebildet. Sichern Sie mit einer M6x40 mm Schraube (3).

Befestigen Sie die Leiter am Trampolin, wie abgebildet.

## Schritt 17

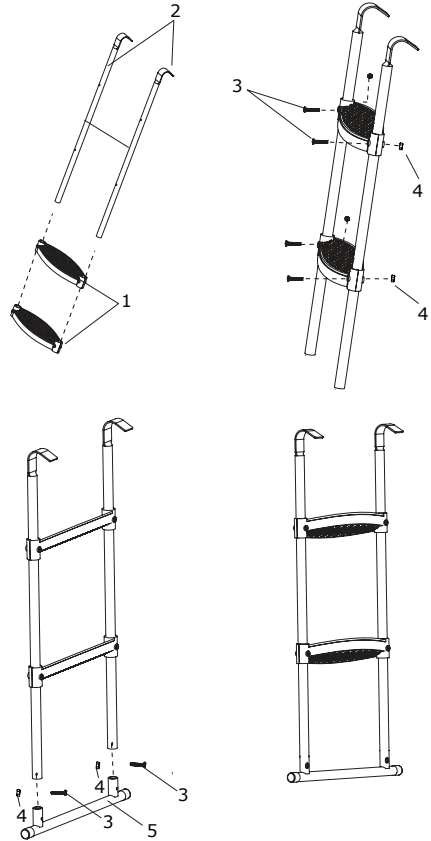
Hängen Sie den Schuhbeutel (20) wie abgebildet an den Rahmen.

Herzlichen Glückwunsch! Ihr Trampolin ist nun fertig montiert (zusammengebaut).

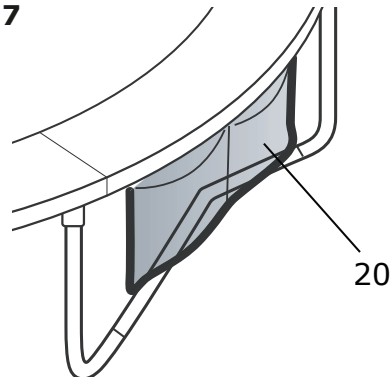
**Vergewissern Sie sich, dass alle Teile sicher befestigt sind. Machen Sie sich selbst und die anderen Benutzer mit dem Trampolin vertraut, mit den Sicherheitsbestimmungen, den Benutzungshinweisen und Sorgfalts- und Wartungshinweisen ehe Sie das Trampolin benutzen.**



16



17



## 6.0 PFLEGE UND UNTERHALT

Dieses Trampolin wurde entwickelt und hergestellt aus qualitativ hochwertigen Materialien und Verarbeitung. Bei sorgfältiger Pflege und Wartung werden alle User jahrelang üben können und Spaß und Freude haben und dabei gleichzeitig die Verletzungsgefahr reduzieren. Bitte folgen Sie untenstehenden Richtlinien:

Dieses Trampolin wurde entwickelt, um ein gewisses Gewicht und Beanspruchung auszuhalten. Bitte stellen Sie sicher, dass nur immer eine Person das Trampolin gleichzeitig benutzt. Users sollte entweder Socken oder Gymastikschuhe tragen bzw. barfuß das Trampolin benutzen. Straßenschuhe oder Tennisschuhe sollten NICHT getragen werden, bei der Benutzung des Trampolins. Um zu vermeiden, dass die Trampolin-Matte eingerissen oder beschädigt wird, lassen Sie keine Tiere auf die Matte. Users sollten alle scharfen Objekte entfernen vor der Benutzung des Trampolins. Alle scharfen oder spitzen Objekte sollten stets von der Trampolin-Matte ferngehalten werden.

### Wartungsanleitung

Es ist besonders wichtig, zu Saisonbeginn und regelmäßig während der Saison stets die folgenden Wartungsanweisungen einzuhalten:

- Der Sitz aller Schrauben und Muttern muss regelmäßig geprüft werden. Bei Bedarf müssen sie nachgezogen werden.
- Alle Federverbindungen (Arretierstifte) müssen intakt sein und dürfen bei Verwendung des Trampolins kein Spiel haben.
- Verkleidungsschrauben und scharfe Ränder müssen geprüft und bei Bedarf ersetzt werden.
- Die Wartungsanleitung gut aufbewahren.

Überprüfen Sie stets das Trampolin vor der Benutzung auf abgenutzte, falsch verwendete oder fehlende Teile. Es könnten viele Bedingungen eintreten, die das Verletzungsrisiko erhöhen können.

Achten Sie besonders auf:

- Punktierungen, Löcher oder Risse in der Trampolin-Matte
- Durchhängende Trampolin-Matte
- Lose Nähte oder andere Verschlechterungen der Matte
- Verbogene oder gebrochene Rahmenteile, wie die Stützen
- Gebrochene, fehlende oder beschädigte Federn
- Beschädigte, fehlende oder schlecht angebrachte Rahmenmatten
- Alle herausragende Teile (besonders, wenn sie scharf sind) auf Rahmen, Federn oder Matte

**WENN SIE EINE DER AUFGEFÜHRTEN KONDITIONEN FESTSTELLEN ODER SIE DAS GEFÜHL HABEN, DASS ETWAS ANDERES EINEN USER VERLETZEN KÖNNTE, DANN SOLLTE DAS TRAMPOLIN AUSEINANDERGEBAUT ODER VOR DEM GEBRAUCH GESICHERT WERDEN, BIS DIE KONDITION(EN) GEKLÄRT SIND.**

### WIND

Bei starken Winden kann das Trampolin wegfliegen. Wenn Sie windiges Wetter erwarten, sollte das Trampolin an einen geschützten Ort gebracht oder auseinander gebaut werden. Eine weitere Option, ist es, es das runde, außen liegende Teil (Oberrahmen) des Trampolins mit Seilen und Pfählen an den Boden festzubinden. Zur Sicherheit sollten mindestens (3) Kabelbinder verwendet werden.

### VERSETZEN DES TRAMPOLINS

Wenn Sie das Trampolin versetzen wollen, sollten zwei Personen mitarbeiten. Alle Verbindungspunkte sollten sicher mit wetterfestem Klebeband, wie Isolierband, umwickelt werden. Dadurch bleibt der Rahmen während des Bewegens sicher und verhindert, dass die Verbindungspunkte sich lösen. Beim Bewegen heben Sie das Trampolin leicht vom Boden weg und halten es horizontal zum Erdboden.

Bei einer anderen Art des Bewegens sollten Sie das Trampolin auseinanderbauen.

## 7.0 Garantie

1. Der Besitzer des EXIT Toys Trampolin erhält nach dem Datum der Kaufquittung:
  - 5 Jahre Garantie auf den Trampolinrahmen
  - 2 Jahre Garantie auf die Federn
  - 2 Jahre Garantie auf den Schutzrand und das Sprungtuch.
  - 2 Jahre Garantie auf den Bruch des Rahmens des Sicherheitsnetzes
  - 1 Jahre Garantie auf das Reißen des Sicherheitnetzes
2. Die Garantie gilt ausschließlich für Material- und Konstruktionsfehler in Bezug auf dieses Produkt oder Einzelteile davon.
3. Die Garantie verfällt, wenn:
  - Dieses Produkt falsch und/oder nicht sorgfältig benutzt und zu Zwecken benutzt wird, die nicht dem Benutzungszweck entsprechen.
  - Dieses Produkt nicht entsprechend den Montage- und Wartungsanweisungen montiert und gewartet wurde.
  - Technische Reparaturen an diesem Produkt nicht auf fachkundige Weise durchgeführt wurden.
  - Später montierte Einzelteile nicht übereinstimmen mit den technischen Spezifikationen des betreffenden Produkts oder falsch montiert sind.
  - Mängel infolge klimatischer Einflüsse wie Rost, UV-Strahlung oder normaler Verwitterung.
  - Das Produkt vermietet wird oder auf andere Weise mehreren unbefugten Personen zur Verfügung steht.
4. Während der Garantieperiode werden alle von EXIT Toys festgestellten Material- oder Konstruktionsfehler von EXIT Toys nach eigenem Ermessen repariert oder ersetzt.
5. Der Besitzer des EXIT Toys Trampolin kann nur Anspruch auf die Garantie erheben, indem er das Produkt dem EXIT Toys Händler zur Begutachtung zur Verfügung stellt. Hierzu muss dem EXIT Toys Händler der original Kaufquittung übergeben werden.
6. Stellt EXIT Toys Material- oder Konstruktionsfehler fest, wird das Produkt oder Einzelteile davon während der in Artikel 1 genannten Garantieperiode von EXIT Toys nach eigenem Ermessen kostenlos repariert, bzw. ersetzt.
7. Ist der Anspruch auf die Garantie nicht gerechtfertigt, gehen alle entstandenen Kosten zu Lasten des Besitzers des EXIT Toys Trampolin.
8. Die Garantie ist nicht an Dritte übertragbar.
9. Das Trampolin ist für den privaten Gebrauch vorgesehen. Sie dürfen nicht vermietet oder auf öffentlichen Plätzen wie Schulen und Kindertagesstätten verwendet werden. Bei Vermietung oder Verwendung auf öffentlichen Plätzen verfällt jede Garantie sowie weitere Verantwortlichkeit.

## 1.0 Introductie

Gefeliciteerd met uw JumpArena Trampoline van EXIT Toys!

### **Pret maken, actief leven en buiten spelen.....**

Dat is onze motivatie om innovatief en kwalitatief speelgoed te ontwikkelen voor coole kinderen.

We doen er alles aan om producten te ontwikkelen die veilig zijn voor kinderen. Aangezien onze producten worden geclassificeerd als speelgoed, voldoen we aan de strengste normen op het vlak van consumentveiligheid. Voordat we een product op de markt brengen, laten we onafhankelijke tests uitvoeren voor de vereiste certificaten. We voeren ook voortdurend controles uit tijdens de productie en we laten regelmatig nieuwe onafhankelijke tests uitvoeren als extra controle. Enkel de producten die voldoen aan de strengste normen van EXIT Toys krijgen het EXIT Toys merk.

Wij stellen het zeer op prijs dat u bij ons klant bent en danken u voor het vertrouwen in dit product. We zijn er zeker van dat uw kinderen evenveel van dit product zullen genieten als wij tijdens de ontwikkeling ervan. Omdat we open staan voor uw mening, zijn uw opmerkingen en ideeën steeds welkom zodat we onze producten nog kunnen verbeteren en nieuwe kunnen ontwikkelen. Neem daarom gerust contact op via [info@exittoys.com](mailto:info@exittoys.com).

Bezoek de wereld van EXIT Toys op [www.exittoys.com](http://www.exittoys.com) en ontdek ook onze andere stoere en nieuwe buitenspeel producten.

Het team van EXIT Toys

## 2.0 Richtlijnen voor veilig gebruik

Als u de instructies voor de trampoline correct opvolgt, kunt u nagenoeg alle risico's vermijden. Houd er wel rekening mee dat kinderen van nature graag spelen en dat dit tot onvoorzien gevaarlijke situaties kan leiden waarvoor de fabrikant niet verantwoordelijk is. Leer uw kinderen hoe ze het product moeten gebruiken en wijs hen op de mogelijke gevaren.

**Lees en volg deze algemene waarschuwingen voordat u het product monteert en gebruikt:**

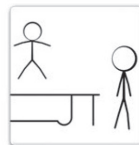
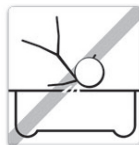


### WAARSCHUWING

Om ernstige verwondingen te vermijden



- Lees en begrijp de handleiding voor gebruik.
- Waarschuwing! Dit product is uitsluitend bedoeld voor thuisgebruik.
- Waarschuwing! VERSTIKKINGSGEVAAR! - Kleine onderdelen. Niet voor kinderen jonger dan 3 jaar.
- Bescherm kinderen
  - Voorkom valpartijen en beknelling
  - Ga uitsluitend door de deur naar buiten en let hierbij op.
  - Help jonge kinderen in en uit het veiligheidsnet.
- Waarschuwing! Laat nooit meer dan 1 persoon tegelijk op de trampoline.
- Waarschuwing! Maak geen salto's of andere moeilijke sprongen!
- Waarschuwing! Leeg uw zakken voordat u de trampoline gebruikt!
- Steeds gebruiken onder toezicht van een volwassene.
- Gebruik de trampoline niet wanneer deze nat is.
- Dit product moet voor gebruik worden gemonteerd door een volwassene.
- Neem in geval van ontbrekende of kapotte onderdelen contact op met het verkooppunt voor assistentie.
- Waarschuwing: Wij zijn niet aansprakelijk voor enig letsel dat kan ontstaan tijdens het gebruik van de trampoline.
- Maximum gewicht van gebruiker: 120 kg.

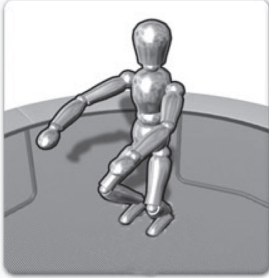


## 2.1 Waarschuwingen voor een veilig gebruik:

- Lees de informatie in deze handleiding en zorg ervoor dat u deze begrijpt. Zoals bij alle fysieke sporten en activiteiten bestaat het risico dat deelnemers letsel oplopen. Neem de van toepassing zijnde veiligheidsregels en -tips in acht zodat u van het toestel kunt genieten en letsel wordt voorkomen.
- Deze gebruiksaanwijzing moet bewaard blijven.
- Sluit altijd het veiligheidsnet vóór gebruik van de trampoline.
- **RAADPLEEG ALTIJD EEN DOKTER / ARTS VOORDAT U FYSIEKE INSPANNINGEN GAAT LEVEREN.**
- **CONTROLEER DE TRAMPOLINE ALTIJD VOOR GEBRUIK. LET DAARBIJ SPECIFIEK OP ALLE BOUTEN, DE SPRINGMAT EN DE POSITIE VAN DE RANDKUSSENS. GEBRUIK DE TRAMPOLINE NIET ALS ER ONDERDELEN ONTBREKEN OF ALS DEZE TEKENEN VAN SLIJTAGE VERTONEN.**
- **ZORG ER ALTIJD VOOR DAT DE TRAMPOLINE DOOR SLECHTS 1 PERSOON TEGELIJK WORDT GEBRUIKT.**
- **ZORG ER ALTIJD VOOR DAT DE TRAMPOLINE ONDER TOEZICHT WORDT GEBRUIKT (BIJ IEDEREEN EN BIJ ELK VAARDIGHEIDSNIVEAU).**
- Stop onmiddellijk met springen als u zich onwel voelt of als u pijn in uw gewrichten en spieren krijgt. Duizeligheid is een teken van vermoeidheid. Stop met springen en ga op de grond liggen als u zich duizelig voelt.
- Zorg ervoor dat u geschikte kleding draagt wanneer u deze trampoline gebruikt, bij voorkeur sportkleding en sokken. **DRAAG NOOIT SCHOENEN OP DE MAT.**
- Waarschuwing: de trampoline is voorzien van veren waardoor de gebruiker veel hoger kan springen dan gewoon vanaf de grond. Houd hier rekening mee en zorg ervoor dat u zich zeker voelt bij het springen van kleine hoogtes.
- Deze handleiding bevat informatie over de juiste montage, zorg en onderhoud van het product, veiligheidstips, waarschuwingen en juiste technieken voor het springen op uw trampoline, zowel voor uw veiligheid als voor een langere levensduur van het product. Alle gebruikers en toezichhouders dienen zich daarom deze instructies eigen te maken. Iedereen die ervoor kiest om de trampoline te gebruiken, moet zich bewust zijn van zijn/haar eigen beperkingen in verband met het uitvoeren van oefeningen op deze trampoline.
- De trampoline opstellen op gras of op door veiligheidsinstanties goedgekeurde veiligheidsmatten.
- Dit product is uitsluitend bedoeld voor thuisgebruik.
- **VERPLAATSEN VAN DE TRAMPOLINE.** Wanneer de trampoline verplaatst moet worden, zijn hiervoor minimal 2 personen nodig. Til de trampoline iets op en houdt de trampoline bij het verplaatsen in horizontale positie. Indien noodzakelijk is het mogelijk de trampoline uit elkaar te halen. Volg hierbij de montagehandleiding in omgekeerde volgorde.

## 2.2 GEBRUIK VAN DE TRAMPOLINE

EERST dient u vertrouwd te raken met de trampoline en dient u te ervaren hoeveel vering elke sprong veroorzaakt. De aandacht dient hierbij vooral te liggen op de lichaamshouding en de techniek totdat elke oefening gemakkelijk en gecontroleerd kan worden uitgevoerd



- **VOORDAT U PROBEERT HOOG TE SPRINGEN** dient u de stoptechniek te leren omdat u daarmee letsel kunt voorkomen als u voelt dat u de sprongen niet meer onder controle hebt.
- Bij het landen op de mat moeten de knieën gebogen zijn zodat ze de vering van de mat stoppen en absorberen. De positie is links aangegeven. De armen worden gestrekt gehouden voor een beter evenwicht.
- Deze vaardigheid wordt gebruikt wanneer de trampolingebruiker wil stoppen met springen vanwege vermoeidheid, controleverlies, etc.



**SALTO'S: MAAK GEEN** salto's (achterover of voorover) op deze trampoline. Als u bij het uitvoeren van een salto een fout maakt, kunt u op uw hoofd of nek terecht komen. Hierdoor vergroot u de kans dat u uw nek of rug breekt, waardoor u kunt overlijden of verlamd kunt raken.



**VREEMDE VOORWERPEN:** Gebruik de trampoline niet als er zich huisdieren, andere mensen of voorwerpen onder de trampoline bevinden. Hierdoor wordt de kans op letsel vergroot. Houdt **GEEN** voorwerpen in de hand en plaats **GEEN** voorwerpen op de trampoline als deze wordt gebruikt. Plaats de trampoline **NIET** onder overhangende voorwerpen zoals boomtakken, draden, etc. omdat deze de kans op letsel verhogen.



**SLECHT ONDERHOUD VAN DE TRAMPOLINE:** Een trampoline in slechte staat vergroot de kans op letsel. Inspecteer de trampoline voor elk gebruik op verbogen stalen buizen, scheuren in de mat, losse of gebroken veren en de algehele stabiliteit van de trampoline.

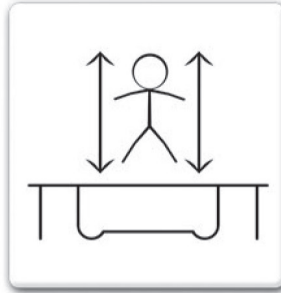


**WEERSOMSTANDIGHEDEN:** Houd bij gebruik van de trampoline rekening met de weersomstandigheden. Gebruik de trampoline niet wanneer deze nat is. Als het te hard waait, kan de gebruiker de controle verliezen.



**TOEGANG BEPERKEN:** Berg het trapje altijd op een veilige plaats op wanneer de trampoline niet wordt gebruikt, om te voorkomen dat kinderen zonder toezicht op de trampoline kunnen spelen.

## 2.3 TIPS OM HET RISICO OP ONGEVALLLEN TE VERLAGEN



Om het risico op ongevallen te verlagen, dient de 'TRAMPOLINEGEBRUIKER':

- zijn/haar sprongen en lichaamshouding altijd onder controle te houden;
- niet proberen oefeningen uit te voeren die zijn/haar vaardigheidsniveau te boven gaan;
- de sprong te lezen en te begrijpen door af te zetten en te landen in het midden van de trampoline;
- zijn/haar sprongen altijd onder controle te houden door af te zetten en te landen in het midden van de trampoline;
- altijd verticaal te springen en niet in de richting van de veren;
- altijd een officieel gediplomeerd trampoline-instructeur te raadplegen wanneer hij/zij oefeningen wil proberen die de basistechnieken te boven gaan.

Om het risico op ongevallen te verlagen dient de 'TOEZICHTHOUDER':

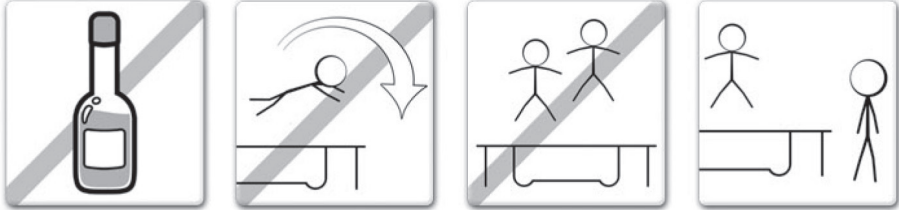
- alle veiligheidsregels en -richtlijnen volledig te begrijpen en toe te zien op de naleving daarvan;
- de trampolinegebruiker te adviseren en aan te geven wat hij/zij goed en fout doet om de veiligheid van de trampolinegebruiker te waarborgen;
- op de hoogte te zijn van alle veiligheidswaarschuwingen en de trampolinegebruiker daarop te attenderen.

**BELANGRIJK: Als er geen toezicht bij de trampoline mogelijk is, moet er een methode zijn om het toestel te beveiligen en te voorkomen dat het door iemand gebruikt wordt totdat toezicht beschikbaar is.**



## 2.4 VEILIGHEIDSINSTRUCTIES VOOR DE TRAMPOLINE

### AANBEVOLEN VOORZORGSMAATREGELEN TIJDENS HET GEBRUIK VAN DE TRAMPOLINE



- Gebruik de trampoline niet als u alcohol of verdovende middelen hebt gebruikt.
- Klim de trampoline op en af op een gecontroleerde en behoedzame manier. Spring nooit op of van de trampoline af en gebruik de trampoline nooit als een hulpmiddel om op of in een ander object te springen.
- Leer altijd de basissprong en zorg ervoor dat u elk soort sprong onder de knie krijgt voordat u moeilijkere soorten sprongen probeert. Raadpleeg het hoofdstuk over de basisvaardigheden om de grondbeginselen te leren.
- Als u wilt stoppen met springen, buigt u de knieën wanneer u op uw voeten landt.
- Zorg dat u altijd controle houdt wanneer u op de trampoline springt. Bij een gecontroleerde sprong komt u neer op hetzelfde punt als vanwaar u zich hebt afgezet. Als u op enig moment voelt dat u het springen niet meer onder controle hebt, stop dan onmiddellijk.
- Spring niet te lang en maak niet teveel hoge sprongen achter elkaar. Houd uw ogen op de mat gericht om controle te houden. Als u dat niet doet, kunt u uit balans raken.
- Laat nooit meer dan 1 persoon tegelijk op de trampoline.

### Aanbevolen voorzorgsmaatregelen voor toezicht op de trampoline

**BELANGRIJK:** Maak uzelf vertrouwd met de basissprongen en de veiligheidsregels. Zorg ervoor dat alle veiligheidsregels worden nageleefd en dat nieuwe gebruikers de basissprongen leren voordat ze gevorderde technieken gaan proberen. Dit om het risico op letsel te voorkomen en verlagen.

- Bij ALLE GEBRUIKERS is toezicht vereist, ongeacht vaardigheidsniveau of leeftijd.
- Gebruik de trampoline nooit wanneer deze nat, beschadigd, vuil of versleten is. De trampoline dient voorafgaand aan gebruik te worden geïnspecteerd.
- Houd alle voorwerpen die tijdens het gebruik van de trampoline een belemmering kunnen vormen te allen tijde uit de buurt van het toestel. Wees u bewust van wat zich boven, onder en rond de trampoline bevindt.
- Om gebruik zonder toezicht en toestemming te voorkomen, dient de trampoline te allen tijde te worden beveiligd.

## 2.5 ONGEVALSCLASSIFICATIE EN -IDENTIFICATIE



### OP- EN AFKLIMMEN:

Wees zeer voorzichtig bij het op- en afklimmen van de trampoline. KLIM NIET op de trampoline door het randkussen vast te pakken, op de veren te stappen of op de trampolinemat te springen vanaf een ander object (bijv. een veranda, dak of ladder). Dit is zeer gevaarlijk. STAP NIET van de trampoline af door er vanaf te springen en op de grond neer te komen. Kleine kinderen die op de trampoline spelen hebben mogelijk hulp nodig bij het op- en afklimmen.



### GEBRUIK VAN ALCOHOL OF DRUGS:

Drink GEEN alcohol en gebruik geen drugs (of geneesmiddelen die het coördinatievermogen van de gebruiker kunnen beïnvloeden) wanneer u deze trampoline gebruikt. Dit is zeer gevaarlijk aangezien deze middelen een nadelig effect hebben op uw inschattingsvermogen, reactiesnelheid en algehele fysieke coördinatie.



### MEERDERE GEBRUIKERS:

Laat nooit meer dan 1 persoon tegelijk op de trampoline.



### IN AANRAKING KOMEN MET FRAME EN VEREN:

BLIJF in het midden van de trampolinemat wanneer u op het toestel springt. Hierdoor verlaagt u het risico op letsel doordat u op het frame of de veren terecht komt. Zorg ervoor dat de randkussens het trampolineframe altijd bedekken. Spring of stap NIET rechtstreeks op het randkussen. Dit is niet geschikt om het gewicht van een persoon te dragen.



### CONTROLEVERLIJES:

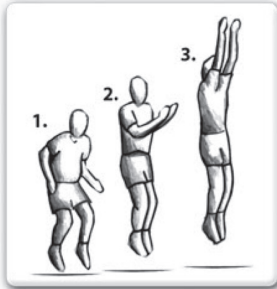
Probeer GEEN moeilijke bewegingen totdat u de grondbeginselen onder de knie hebt. Als u zich niet aan deze richtlijnen houdt, vergroot u de kans dat iemand gewond raakt.

**WAARSCHUWING: neem elke 10 minuten even pauze.**

## 3.0 TRAMPOLINETECHNIEKEN

### BASISVAARDIGHEDEN

#### BASISVAARDIGHEID 1: de basissprong



- Ga rechtop staan met de voeten op schouderbreedte uit elkaar en de ogen op de springmat gericht.
- Zwaai de armen naar voren / omhoog boven het hoofd in cirkelvorm. beweging up above head in a circular motion.
- Breng uw benen en voeten bij elkaar in de 'luchtpositie' en richt uw tenen naar beneden.
- Kom weer op de mat neer met de voeten op schouderbreedte uit elkaar (zoals de startpositie).
- Ga pas door met de volgende oefening als u vertrouwd bent met deze beweging en deze goed kunt uitvoeren.

#### BASISVAARDIGHEID 2: de kniesprong

- Begin met de lage basissprong (zoals bij BASISVAARDIGHEID 1).
- Land op de knieën (houd deze op schouderbreedte uit elkaar), terwijl u de rug recht houdt, lichaam gespannen en armen gestrekt naar voren of opzij voor balans.
- Spring terug naar de basissprong door de vaart van de vering te gebruiken en de armen omhoog te gooien.
- Wanneer dit goed lukt op deze hoogte kunt u proberen iets hoger te springen. Vergeet echter niet de hoogte altijd onder controle te houden.



#### BASISVAARDIGHEID 3: de zitsprong



- Begin met een lage basissprong (BASISVAARDIGHEID 1) in de normale positie.
- Land met uw benen recht voor u uit gestrekt, de handen aan weerszijden van u heupen, de rug recht en het lichaam gespannen.
- Gebruik de vaart van de vering samen met een duw van de handen om terug te keren in een rechtstandige positie.
- Als dit goed lukt op deze hoogte, kunt u proberen iets hoger te springen. Vergeet echter niet de hoogte te controleren.

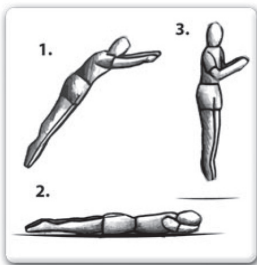
**BELANGRIJK: Raadpleeg een getrainde trampoline-instructeur voordat u moeilijkere oefeningen gaat proberen om er zeker van te zijn dat de veiligheid zoveel mogelijk wordt gewaarborgd.**

**GEVORDERDE VAARDIGHEDEN****GEVORDERDE VAARDIGHEID 1: de basissprong**

- Begin met lage basissprong (BASISVAARDIGHEID 1) in normale positie position.
- Land op handen en knieën tegelijk. Zorg er daarbij voor dat u de rug horizontaal houdt ten opzichte van de springmat en dat u handen en benen op schouderbreedte uit elkaar houdt.
- Gebruik de vaart van de vering en duw af met uw handen om in rechte positie overeind te komen.
- Wanneer dit goed lukt op deze hoogte, kunt u proberen iets hoger te springen. Vergeet echter niet de hoogte altijd onder controle te houden.
- Probeer de volgende vaardigheid pas als u vertrouwd bent met deze beweging en deze goed kunt uitvoeren.

**GEVORDERDE VAARDIGHEID 2: de hand- en kniesprong naar buiksprong**

- Land op handen en knieën tegelijk. Zorg ervoor dat u de rug horizontaal houdt ten opzichte van de springmat en dat u de handen en benen op schouderbreedte uit elkaar houdt.
- Houd het lichaam gespannen met de rug horizontaal ten opzichte van de mat, strek uw benen achter u uit en vouw uw armen in de lucht voor uw gezicht, klaar om in liggende houding neer te komen op de mat.
- Zorg ervoor dat het lichaam de mat bij het neerkomen in één keer raakt.
- Druk uzelf met de handen op en kom terug in staande houding. hands and recover the standing position.
- Als dit goed lukt op deze hoogte, kunt u proberen iets hoger te springen. Vergeet echter niet de hoogte altijd onder controle te houden. Ga pas door met de volgende vaardigheid als u vertrouwd bent met deze beweging en deze goed kunt uitvoeren.

**GEVORDERDE VAARDIGHEID 2: de buiksprong**

- Begin met de lage basissprong (BASISVAARDIGHEID 1) in normale positie.
- Houd het lichaam gespannen met de rug horizontaal ten opzichte van de mat, strek uw benen achter u uit en vouw uw armen in de lucht voor uw gezicht, klaar om in liggende houding neer te komen op de mat.
- Zorg ervoor dat het lichaam de mat bij het neerkomen in één keer raakt.
- Druk uzelf met de handen op en kom terug in staande houding.
- Als dit goed lukt op deze hoogte, kunt u proberen iets hoger te springen. Vergeet echter niet de hoogte altijd onder controle te houden.

**BELANGRIJK: Raadpleeg een gediplomeerd en geregistreerd instructeur als u zich verder wilt bekwalen en meer gevorderde trampolinetechnieken wilt leren.**

## 4.0 ALGEMENE INFORMATIE

- U hoeft de trampoline niet af te breken voor de winter.
- Zelfvergrendelende moeren en schroeven zijn alleen geschikt voor eenmalige opstelling en dienen na het afbreken van de trampoline en/of het veiligheidsnet te worden vervangen.
- Veiligheidsnetten hebben een minimale levensduur van 5 jaar na aankoop.
- We adviseren om de trampoline op een plat en vlak oppervlak te plaatsen met minimaal 2 m afstand tot andere bovenbouw of barrières, bijv. hek, garage, huis, boomtakken, waslijnen of elektriciteitskabels.
- Plaats de trampoline niet op een hard oppervlak als asfalt, beton, enz.
- Vervang defecte onderdelen volgens de aanwijzingen van de leverancier.
- Aanpassingen aan de trampoline (bijv. toevoeging van een accessoire) dient te geschieden volgens de aanwijzingen van de leverancier.

## 5.0 MONTAGE VAN DE TRAMPOLINE

### STAP VOOR STAP OPBOUW

**Mag uitsluitend worden gemonteerd door volwassenen.**

**Voor het monteren van deze trampoline** hebt u alleen onze speciale verenspanner nodig die wordt meegeleverd met dit product. Tijdens perioden waarin de trampoline niet wordt gebruikt kan deze trampoline gemakkelijk worden gedemonteerd en opgeslagen. **Lees de montage-instructies voordat u begint met het monteren van het product.**

Raadpleeg de tabel voor de beschrijving en nummering van onderdelen. In de montage-instructie wordt naar deze beschrijvingen en nummers verwezen.

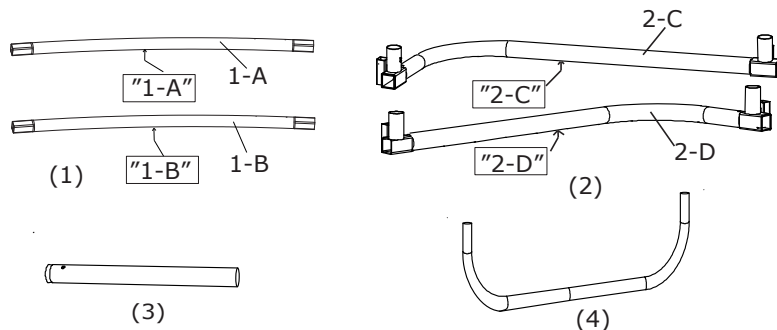
Controleer of u alle aangegeven onderdelen hebt. Neem contact op met het verkooppunt als u onderdelen mist.

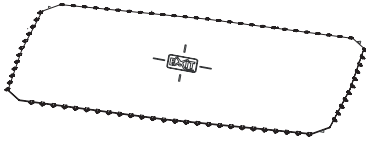
**Gebruik handschoenen om uw handen tijdens montage te beschermen tegen beknelling. Als u klaar bent om te beginnen, dient u ervoor te zorgen dat u genoeg ruimte hebt en dat deze ruimte droog en schoon is.**

## Onderdelenlijst

Ond.Nr.	Omschrijving	#
1	Midden buis (omvat 2 midden buizen 1-A, 2 midden buizen 1-B)	4
2	Hoek buis (omvat 2 hoek buizen 2-C, 2 hoek buizen 2-D)	4
3	Onderpoot verlengstuk	8
4	Onderpoot	4
5	Springmat	1
6	Veer	76
7	Beschermrand	1
8	M6X55mm Bout	16
9	M6 Ring	32
10	M6 Moer	16
11	Bovenste Buis + Schuim	8
12	Onderste Buis + Schuim	8
13	Paal Hoes	8
14	Paalkap	8
15	Eindkapje	8
16	Net	1
17	M4.8X16mm schroef	8
18	Koord	4
19	Ladder	1
20	Schoenenzak	1
#	Gereedschap	1 Set
	Label met veiligheidsinstructie	1

Bijgevoegd zijn de actuele specificaties en producteigenschappen op het moment van printen. De apparatuur, beschikbaarheid, specificaties en eigenschappen kunnen echter zonder aankondiging veranderen.

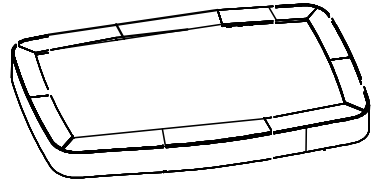




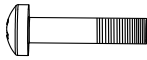
(5)



(6)



(7)



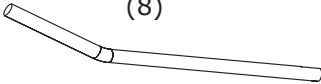
(8)



(9)



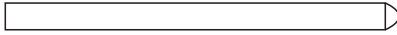
(10)



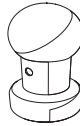
(11)



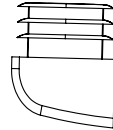
(12)



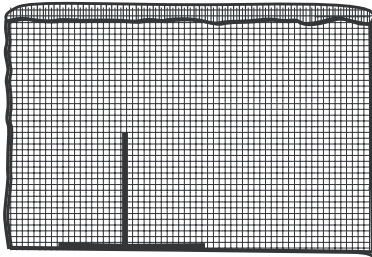
(13)



(14)



(15)



(16)



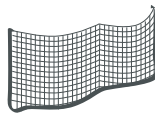
(17)



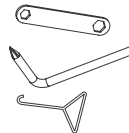
(18)



(19)



(20)



Tools



Warning Label

#

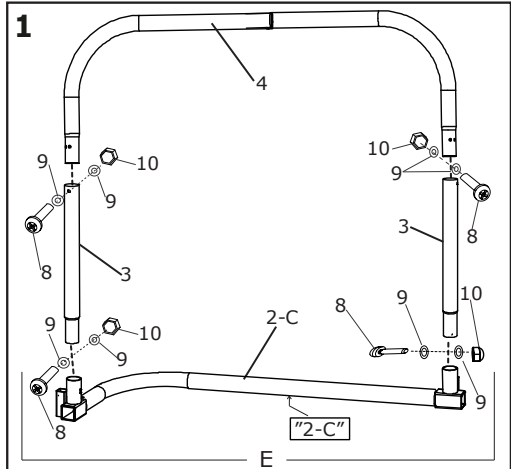
## STAP 1

Plaats de verlenging van de buis (3) in de hoekbuis (2-C). Maak vast met de M6x55mm bout (8), twee M6 ringen (9), M6 moer (10) zoals aangegeven.

Plaats vervolgens de beide uiteinden van de buis (4) in de verlenging van de buis (3). Maak vast met een M6x55mm bout (8), twee M6 ringen (9), M6 moer (10) zoals aangegeven.

Unit E is nu klaar.

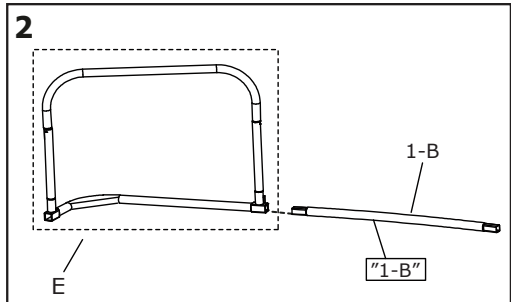
**Let op: Draai de moeren niet vast.**



## STAP 2

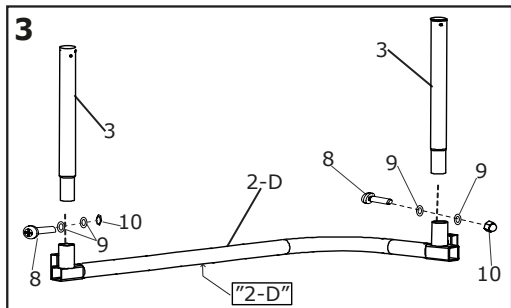
Bevestig unit E en de middelste buis (1-B) samen zoals afgebeeld.

Herhaal stap 1 en 2 tot de twee verlengingen van de buis volledig zijn.



## STAP 3

Plaats de verlenging van de buis (3) in de hoekbuis (2-D). Maak vast met de M6x55mm bout (8), twee M6 ringen (9), M6 Moer (10) zoals aangegeven.

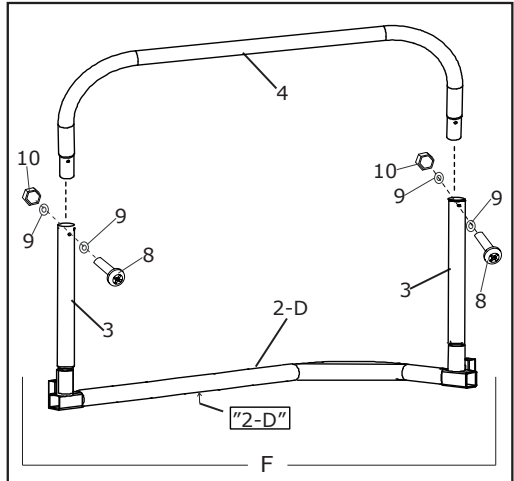




Plaats vervolgens de beide uiteinden van de buis (4) in de buisverlenging (3). Maak vast met een M6x55mm bout (8), twee M6 ringen (9), M6 moer (10) zoals aangegeven.

Unit F is nu klaar.

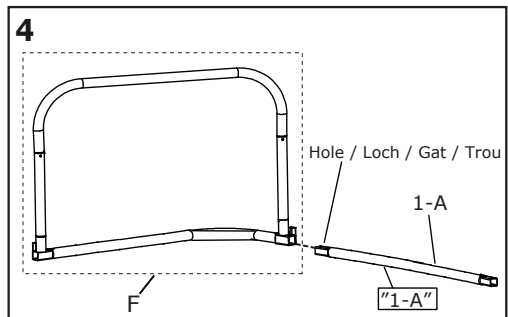
**Let op: Draai de moeren niet vast.**



#### STAP 4

Bevestig Unif F en de middelste buis (1-A) samen zoals afgebeeld.

Herhaal stap 3 & 4 tot de twee verlengingen van de buis volledig zijn.

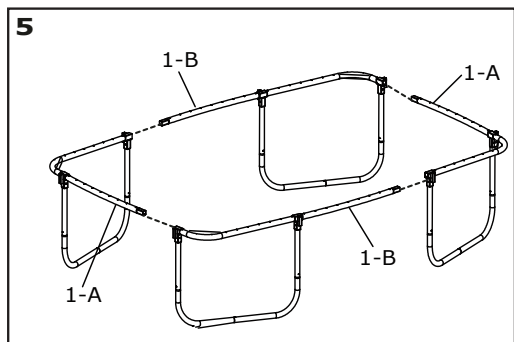


#### STAP 5

Plaats twee buissecties rechtop en houd ze in de aangegeven positie. Bevestig het smalle eind in de bovenste buis met de houder. Herhaal deze stap totdat alle vier de buis secties verbonden zijn.

Nu is de frame volledig gemonteerd en vrijstaand.

**Let op: Draai alle moeren vast.**



**WAARSCHUWING!!** : Pas op waar u uw handen of andere lichaamsdelen plaatst omdat deze tussen de verbindingpunten en verbevestigingen bekneld kunnen raken.

## STAP 6

Zoek de mat (5) onderaan in de gemonteerde frame.

Opmerking: Er zijn 68 'V-Ringen' en 4 'D-Ringen' rond de rand van de mat (5) en 76 gaten rond de bovenkant van het frame. U bevestigt de mat (5) aan het frame met veren (6).

### Bevestig de veer(6) als volgt:

1. Haak een uiteinde van een veer in een V-ring genaaid op de springmat.
2. Bevestig het hulpmiddel voor de veer in het vrije uiteinde van de veer zoals afgebeeld.
3. Trek het veer met het hulpmiddel voor de veer tot het aan de frame reikt.
4. Druk het einde van de veer in een gat in het frame. Haak het hulpmiddel voor de veer los.

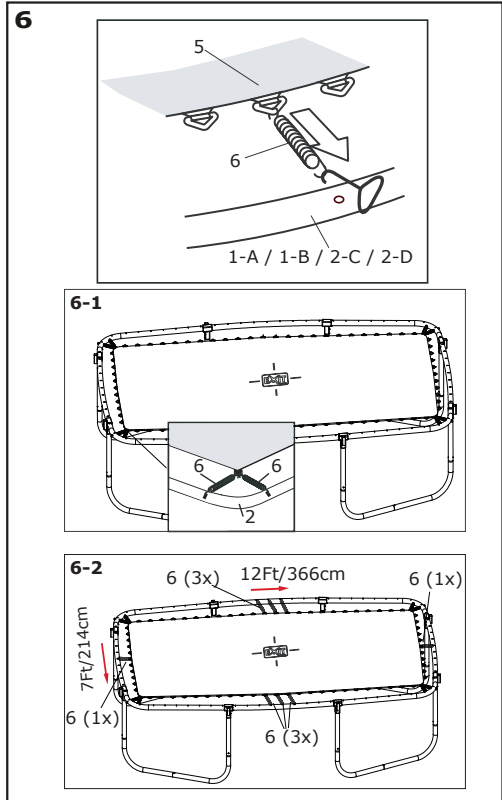
#### 6.1

Bevestig de D-ring genaaid aan de hoek van de mat aan de hoekbuis met de twee veren zoals afgebeeld. Er zullen dan acht veren bevestigd zijn, twee veren aan iedere hoek.

#### 6.2

Tel precies 10 frame gaten en 10 V-ringen in de 366cm richting. Bevestig drie grote veren. Herhaal dit aan de 366cm lange andere zijde van de trampoline.

Tel precies 5 gaten in het frame en 5 V-ringen in de 214 cm richting. Bevestig 1 veer. Herhaal dit aan de 214cm lange andere zijde van de trampoline. U heeft nu 16 veren bevestigd. Bevestig ook de rest van de veren tussen de eerder bevestigde veren, totdat alle veren bevestigd zijn.



**Let op: Het is verstandig om lederen handschoenen te dragen tijdens het bevestigen van de veren. Wees voorzichtig waar u de handen plaatst want de veren en frame houders kunnen knijpen.**

**Let op: De veer heeft een grote haak die aan het frame bevestigd wordt en een smalle haak die bevestigd wordt aan de ring van de mat.**

**Let op: Wanneer u de veren bevestigd, tel zorgvuldig de V-ringen en de gaten in het frame. Als een V-ring of gat wordt overgeslagen, bevestig de veer dan terug in de correcte positie.**

## STAP 7

Plaats de hoef (7) op de frame. Pas de positie van de hoef aan zodat de gleuven er direct boven komen.

**Merk op: De hoef heeft twee kleuren: groen en grijs. U kunt een favoriete kleur kiezen voor de bovenkant.**

Kijk naar de onderkant van de trampoline. Bevestig de riemen aan het frame.

Bevestig alle overige riemen (niet afgebeeld).

### Let op:

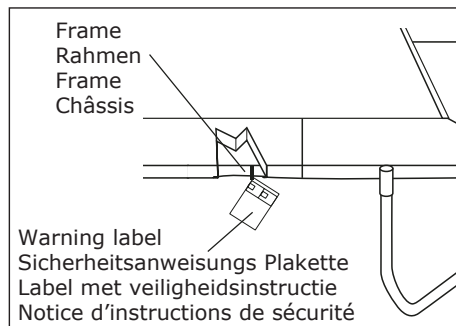
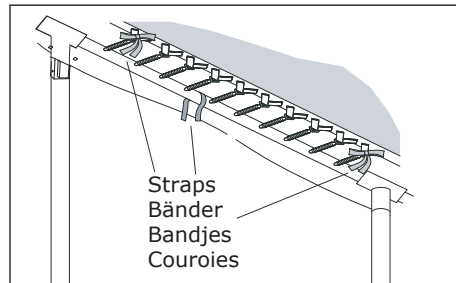
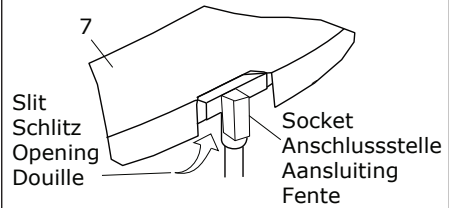
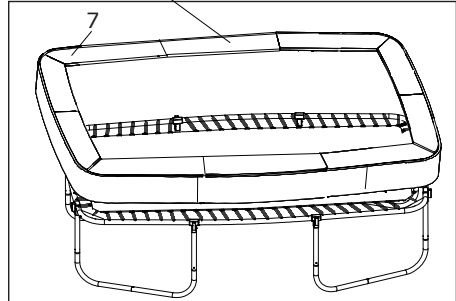
Gebruik de trampoline niet zonder de hoef. De hoef is ontworpen om de kans op ongevallen te verkleinen wanneer de trampoline springers in contact komen met het frame van de trampoline.

Bevestig met behulp van het meegeleverde plastic koord het waarschuwingsetiket op het frame in de buurt waar de trampoline springers op en af de trampoline zullen klimmen.

7



Choose Green or Grey  
Wählen Sie Grün oder Grau  
Kies Groen of Grijs  
Choisissez vert ou gris

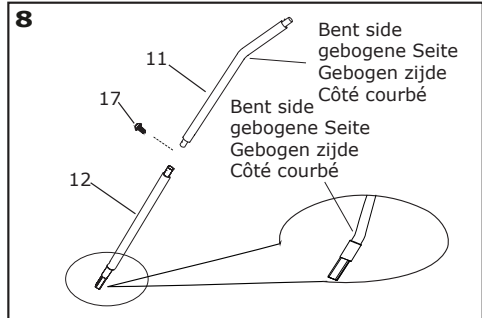


### STAP 8

Bevestig de onderste buis met rubber (12) in de bovenste buis met rubber (11). Maakt vast met een M4.8x16mm schroef (17).

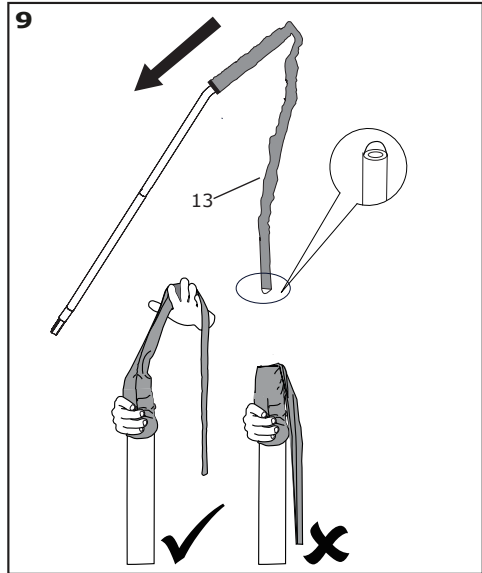
**Merk op:**

**Zorg ervoor dat de bovenste buis (11) en de onderste buis (12) tegenover elkaar zijn.**



### STAP 9

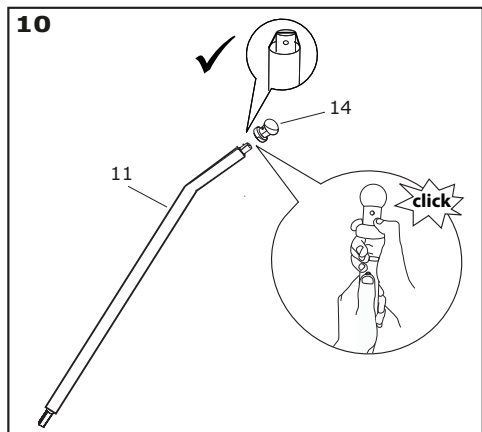
Schuif de gemonteerde buizen in het omhulsel (13).



### STAP 10

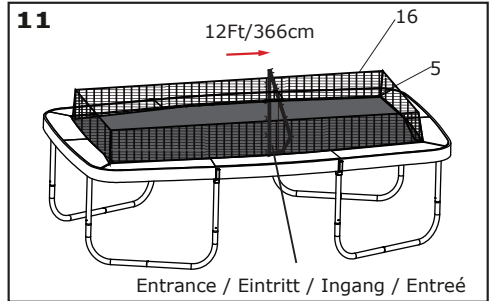
Bevestig de Paalkap (14) aan de bovenste buis (11) zoals afgebeeld.

Herhaal stappen 8-10 om de resterende zeven bovenste buizen te assembleren met rubber (11), de onderste buizen met rubber (12), omhulsels (13) en Paalkappen(14).



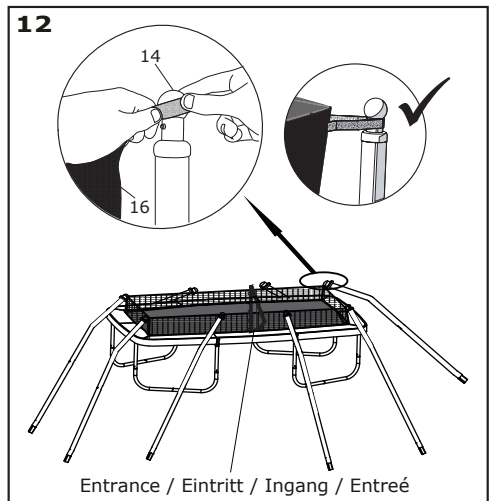
### STAP 11

Leg het net (16) op de mat (5). Zorg ervoor dat de omheining in het midden is van de 366cm richting zoals aangegeven.



### STAP 12

Plaats de paalkap (14) in de riem aan de bovenkant van het net (16) zoals aangegeven.



### STAP 13

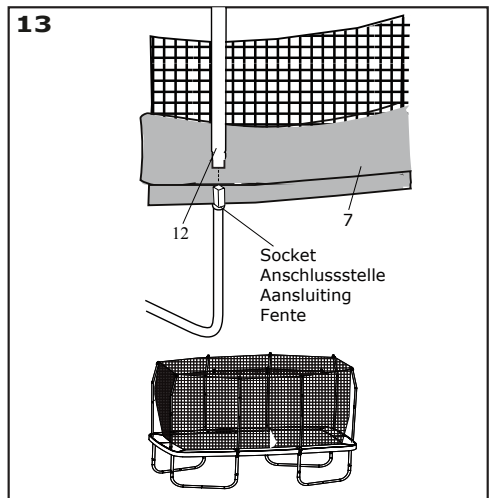
Beginnend bij de omheining, plaats de onderste buis (12) in het bovenste gat van het omhulsel.

**Zorg ervoor dat de gebogen zij-kanten van de bovenste buizen (11) gericht zijn naar het midden van de trampoline.**

**Let op:**

**De uiteinden van de onderste buizen (12) zijn scherp. Wees voorzichtig bij het monteren.**

Uw trampoline en omheining worden getoond op de afbeelding.



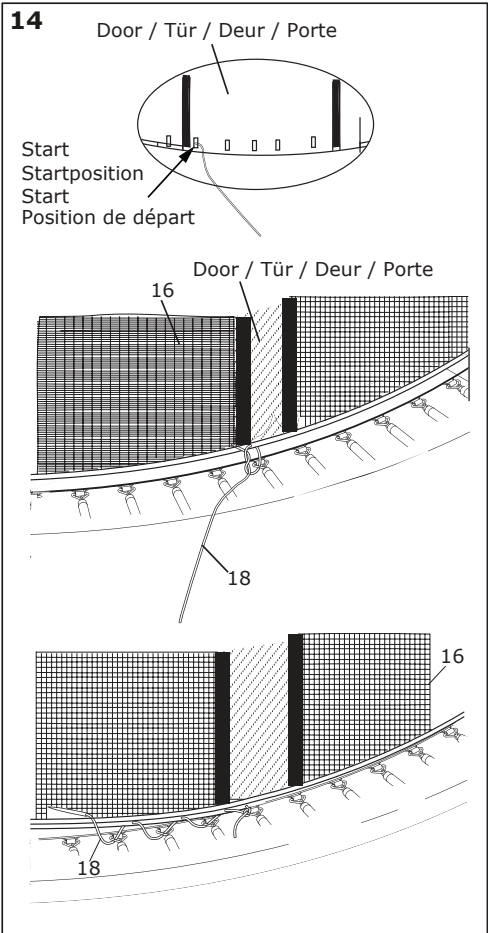
## STAP 14

Let op: Tijdens stap 14, u "naait" de onderste rand van het net (16) aan de V-ringen op de mat via de koorden (18). Zoek de V-ring het dichtste bij de deur. Neem een uiteinde van het koord (18) door de onderste rand van het net (16) boven de V-ring en rijg het koord door de V-ring.

Bind het net om de V-ring door het maken van een dubbele knoop in het koord.

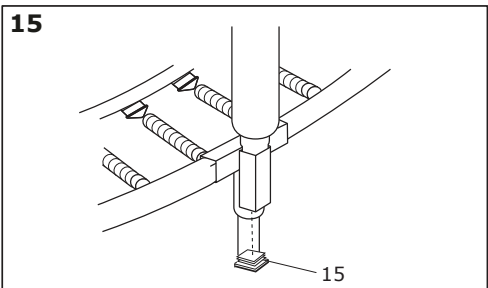
Rijg het koord (18) door de onderste rand van het net (16) halverwege tussen de eerste V-Ring en de linkse V-Ring en rijg daarna het koord door de V-ring aan de linkerkant. Herhaal deze procedure tot het gehele snoer door het gaas en de V-ring is geknoopt zoals afgebeeld. Houd het snoer strak. Bind het uiteinde van het koord aan de laatste V-ring die het kan bereiken. Herhaal deze procedure totdat alle koorden bevestigd zijn.

Knoop een tweede koord (niet zichtbaar) aan de laatste V-ring die bereikt wordt met het eerste koord. Breng het tweede koord door het net (16) en de V-ring zoals hierboven omschreven. Zorg ervoor dat het net aan elke V-ring van de trampoline genaaid is.



## STAP 15

Plaats de eindkap (15) in het onderste gat van het omhulsel.



## STAP 16

Ladder (19) montage.

Plaats de tree (1) in de paal (2) zoals afgebeeld. Zet vast met een M6x40mm bout (3) en een M6 moer (4).

Bevestig de onderste buis (5) en staak samen zoals afgebeeld. Zet vast met een M6x40mm bout (3).

Bevestig de ladder aan de trampoline zoals afgebeeld hieronder.

## STAP 17

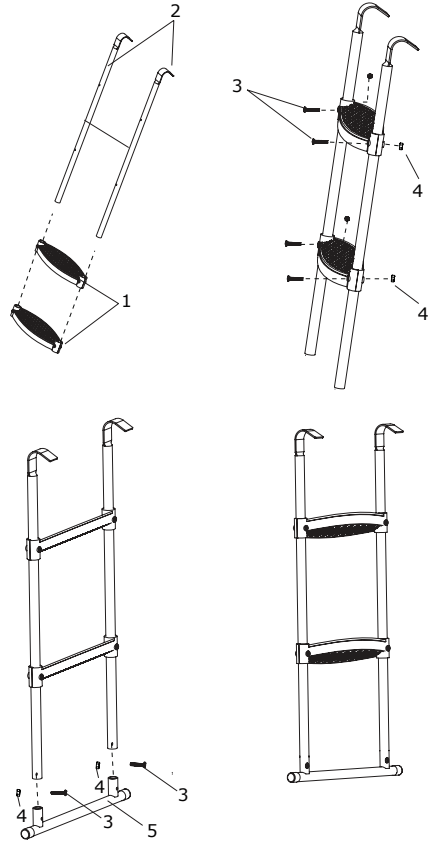
Bevestig de schoen zak (20) aan het frame zoals afgebeeld.

Gefeliciteerd! Uw trampoline is nu volledig gemonteerd (in elkaar gezet).

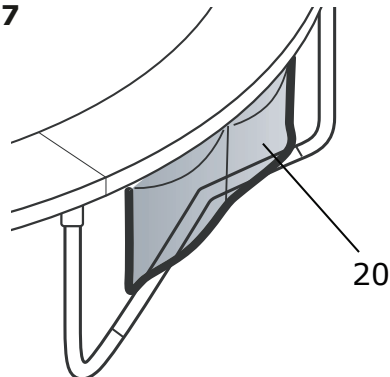
**Zorg ervoor dat alle onderdelen stevig bevestigd zijn. Maak jezelf en alle gebruikers vertrouwd met de trampoline, met de veiligheidsvoorschriften, het gebruik en instructionele materialen, en instructies omtrent zorg en onderhoud in deze manual vooraleer u de trampoline gaat gebruiken.**



16



17



## 6.0 ZORG EN ONDERHOUD

Deze trampoline is ontworpen en vervaardigd met kwaliteitsmaterialen en vakmanschap. Bij de juiste zorg en het juiste onderhoud zullen alle gebruikers hier jarenlang met veel plezier op kunnen springen en zal ook het risico op letsel worden verlaagd. Volg de onderstaande richtlijnen:

Deze trampoline is ontworpen om een bepaalde hoeveelheid gewicht en gebruik aan te kunnen. Zorg ervoor dat slechts één persoon tegelijk de trampoline gebruikt. Springers dienen sokken / turnschoenen te dragen of blootsvoets te zijn wanneer zij de trampoline gebruiken. Let er op dat schoenen voor op straat of tennisschoenen NIET mogen worden gedragen tijdens het gebruik van de trampoline. Om te voorkomen dat de trampolinemat gescheurd of beschadigd raakt zijn huisdieren op de mat niet toegestaan. Springers dienen tevens alle scherpe voorwerpen af te doen voordat ze de trampoline gebruiken. Alle scherpe of gepunte voorwerpen dienen van de trampolinemat te worden gehouden.

### Onderhoudsinstructies

Het is vooral belangrijk om de volgende onderhoudsinstructies op te volgen aan het begin van elk seizoen en periodiek tijdens het gebruikseizoen.

- U dient te controleren of alle moeren en bouten nog goed vast zitten; draai ze indien nodig aan.
- U dient te controleren dat alle veergeladen aansluitingen (vergrendelingspen) onbeschadigd zijn en niet bewegen tijdens het gebruik van de trampoline.
- U dient de afdekschroeven en scherpe randen te controleren en indien nodig te vervangen.
- Bewaar de onderhoudshandleiding voor later gebruik.

Inspecteer de trampoline altijd vóór gebruik op versleten, verkeerd gebruikte of ontbrekende onderdelen. Door een aantal omstandigheden kan uw kans op letsel toenemen. Pas op met:

- Doorboringen, gaten of scheuren in de trampolinemat
- Een doorzakkende trampolinemat
- Loszittend stiksel of elke vorm van slijtage van de mat
- Gebogen of gebroken frame-onderdelen, zoals de poten
- Gebroken, ontbrekende of beschadigde veren
- Een beschadigd, ontbrekend of niet goed bevestigd framekussen
- Uitsteeksels (met name als ze scherp zijn) op het frame, de veren of de mat

**ALS U EEN VAN DE BOVENSTAANDE PUNTEN OF IETS ANDERS DAT VOLGENS U LETSEL BIJ EEN GEBRUIKER KAN VEROORZAKEN OPMERKT, DIENT DE TRAMPOLINE TE WORDEN GEDEMONTEERD OF TEGEN GEBRUIK TE WORDEN BEVEILIGD TOTDAT DE KWESTIE IS VERHOLPEN.**

### WINDERIGE OMSTANDIGHEDEN

Bij hevige wind kan de trampoline van zijn plaats worden geblazen. Als u winderige weersomstandigheden verwacht, dient de trampoline naar een beschutte plek te worden verplaatst of te worden gedemonteerd. Een andere optie is om het ronde, buitenste gedeelte (bovenframe) van de trampoline aan de grond vast te maken met behulp van touwen en paaltjes. Voor de veiligheid dienen ten minste drie (3) vastzetpunten te worden gebruikt.

### DE TRAMPOLINE VERPLAATSEN

Als u de trampoline moet verplaatsen, zijn hiervoor twee mensen nodig. Alle verbindingpunten dienen stevig te worden omwikkeld met weersbestendige tape, zoals duct tape. Hierdoor blijft het frame tijdens de verplaatsing heel en wordt voorkomen dat de verbindingpunten van hun plaats raken en van elkaar worden gescheiden. Licht de trampoline bij het verplaatsen enigszins van de grond en houdt deze horizontaal ten opzichte van de grond. Voor elke andere soort verplaatsing dient u de trampoline te demonteren.



## 7.0 Garantie

1. De eigenaar van de EXIT Toys Trampoline heeft na de datum van de aankoopnota:
  - 5 jaar garantie op het trampoline frame
  - 2 jaar garantie op de veren
  - 2 jaar garantie op de beschermrand en springdoek
  - 2 jaar garantie op het breken van het frame van het veiligheidsnet
  - 1 jaar garantie op het scheuren van het veiligheidsnet
2. De garantie geldt uitsluitend voor materiaal- en constructiefouten ten aanzien van dit product of onderdelen daarvan.
3. De garantie vervalt als:
  - Dit product onjuist en/of onzorgvuldig gebruikt is en gebruikt wordt dat niet overeenkomstig bestemming is.
  - Dit product niet conform het instructieboekje geassembleerd en onderhouden is.
  - Technische reparaties aan dit product niet op vakkundige wijze verricht zijn.
  - Naderhand gemonteerde onderdelen niet overeenkomen met de technische specificaties van het betreffende product, of onjuist gemonteerd zijn.
  - Gebreken als gevolg van klimatologische invloeden, zoals roest, UV-straling of normale verwerking.
  - Het product wordt gebruikt voor verhuur of op andere wijze aan meerdere ongespecificeerde personen ter beschikking staat.
4. Gedurende de garantieperiode zullen alle door EXIT Toys vastgestelde materiaal- of constructiefouten ter keuze van EXIT Toys worden gerepareerd, danwel worden vervangen.
5. De eigenaar van de EXIT Trampoline kan slechts aanspraak maken op de garantie door het product ter inspectie aan te bieden bij een EXIT Toys dealer. Hierbij dient de originele aankoopnota aan de EXIT Toys dealer te worden overhandigd.
6. In geval van door EXIT Toys vastgestelde materiaal- of constructiefouten, zal het product of zullen onderdelen daarvan gedurende de in artikel 1 genoemde garantieperiode ter keuze van EXIT Toys gratis worden gerepareerd, danwel gratis worden vervangen.
7. Indien de garantieaanvraag niet terecht is, zijn alle gemaakte kosten voor rekening van de eigenaar.
8. De garantie is niet overdraagbaar aan derden.
9. Het is niet toegestaan de trampoline te verhuren of te plaatsen op openbare plaatsen zoals scholen en kinderdagverblijven. Bij verhuur of gebruik op openbare plaatsen vervalt iedere garantie of vervallen andere aansprakelijkheden.

## 1.0 Introduction

Vous venez de faire l'acquisition du EXIT JumpArenA Trampoline; nous vous en félicitons!

### **S'amuser, être actif et jouer dehors.....**

Nous faisons tout notre possible pour développer des produits sûrs pour les enfants. Étant donné que nos produits sont classés comme étant des jouets, nous nous conformons aux réglementations de sécurité des consommateurs les plus rigoureuses. Avant de commercialiser nos produits, nous faisons réaliser des tests indépendants en vue d'obtenir la certification. Nous testons également en continu nos cycles de production et faisons régulièrement réaliser des tests indépendants à titre de contrôle supplémentaire. Seuls les produits qui se montrent à la hauteur de la norme EXIT Toys la plus rigoureuse sont porteurs de l'étiquette EXIT Toys.

Nous souhaitons vous remercier pour l'achat de ce produit et pour votre fidélité. Nous sommes sûrs que vos enfants s'amuseront autant que nous nous sommes amusés durant la phase de développement. Nous sommes très ouverts et preneurs de tous les commentaires et idées qui pourraient nous aider à améliorer nos produits et à en développer de nouveaux. Vous êtes invités à nous envoyer vos idées à [info@exittoys.com](mailto:info@exittoys.com).

Découvrez le monde de EXIT Toys, ses produits de divertissement branchés et ses nouveautés sur [www.exittoys.com](http://www.exittoys.com).

L'équipe EXIT Toys.

## 2.0 Consignes de sécurité

Une utilisation conforme à ce qui est indiqué dans ce manuel éliminera quasiment tous les dangers. Cependant, gardez à l'esprit que les enfants éprouvent naturellement une forte envie de jouer et cela peut conduire à des situations imprévisibles et dangereuses dont le fabricant ne peut être tenu pour responsables. Apprenez à vos enfants à utiliser le produit et informez-les des dangers possibles qu'ils encourent.

**Avan d'assembler et d'utiliser le produit, veuillez lire et respecter les principaux avertissements ci-dessous.**

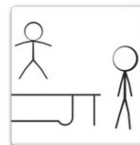
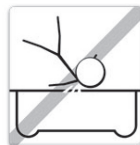


### AVERTISSEMENT

Afin d'éviter toute blessure grave:



- Lire et comprendre le manuel avant utilisation.
- Attention! Ce produit est seulement conçu pour un usage domestique.
- Attention! RISQUE D'ÉTOUFFEMENT ! - Petites pièces. Pas adapté aux enfants de moins de 3 ans.
- Protection des enfants
  - Évitez les risques de chutes et d'étranglement
  - La sortie s'effectue uniquement via la porte, avec précaution.
  - Assistez les jeunes enfants lors de l'entrée et de la sortie du filet de Sécurité.
- Attention! N'ayez jamais plus d'une personne à la fois sur le trampoline.
- Attention! Ne pas exécuter de sauts périlleux ou autres sauts difficiles !
- Attention! Vider vos poches avant de monter sur le trampoline !
- L'enfant doit être constamment surveillé par un adulte.
- N'utilisez jamais le trampoline lorsqu'il est mouillé.
- Le jouet doit être assemblé par un adulte avant de pouvoir être utilisé.
- En cas de pièce manquante ou defectueuse, veuillez contacter votre revendeur pour assistance.
- Avertissement : nous ne sommes pas responsables des blessures pouvant survenir lors de l'utilisation du trampoline avec le filet de sécurité.
- Poids max. de l'utilisateur: 120 kg.

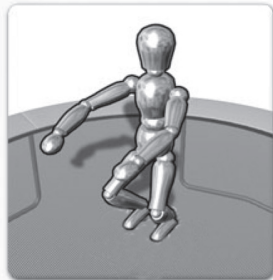


## 2.1 Avertissements relatifs à la sécurité:

- Lisez et comprenez les informations délivrées dans ce manuel. Comme pour tous les sports et activités physiques, le risque de blessure existe. Pour garantir votre plaisir futur et éviter les dommages, assurez-vous de suivre les règles et les conseils de sécurité appropriés.
- Ces instructions doivent être conservées.
- Fermez le filet de sécurité avant le trampoline est utilisé.
- **CONSULTEZ TOUJOURS UN DOCTEUR/MÉDECIN AVANT D'EFFECTUER TOUT TYPE D'ACTIVITÉ PHYSIQUE.**
- **CONTRÔLEZ TOUJOURS VOTRE TRAMPOLINE AVANT UTILISATION, EN ATTACHANT UNE ATTENTION PARTICULIÈRE À TOUS LES BOULONS, AU TAPIS DE SAUT ET À LA POSITION DES REMBOURRAGES. NE PAS UTILISER SI DES PIÈCES SONT ABSENTES OU AFFICHENT DES TRACES D'USURE.**
- **ASSUREZ-VOUS QUE LE TRAMPOLINE SOIT TOUJOURS UTILISÉ PAR UNE SEULE PERSONNE À LA FOIS.**
- **ASSUREZ-VOUS TOUJOURS DE LA PRÉSENCE D'UNE PERSONNE SURVEILLANTE LORSQUE LE TRAMPOLINE EST UTILISÉ PAR QUICONQUE, QUEL QUE SOIT SON NIVEAU DE COMPÉTENCE.**
- Arrêtez immédiatement votre exercice lorsque vous ne vous sentez pas bien ou si vous sentez une douleur dans vos articulations et vos muscles. Le vertige est un signe de fatigue et vous devez cesser de sauter et vous allongez sur le sol si vous vous sentez étourdi.
- Lorsque vous utilisez ce trampoline, assurez-vous de porter des vêtements appropriés, de préférence des vêtements de sport et des chaussettes. **NE PORTEZ JAMAIS DE CHAUSSURES SUR LE TAPIS.**
- Veuillez garder à l'esprit que le trampoline repose sur des ressorts, permettant à l'utilisateur d'atteindre des hauteurs supérieures à celles qu'il peut atteindre sur le sol : assurez-vous donc de sauter d'abord confortablement à faible hauteur.
- Ce manuel contient des consignes pour un assemblage correct, des soins et l'entretien du produit, des conseils de sûreté, des avertissements et les techniques de saut appropriées, afin de garantir votre sécurité et une longue durée de vie du produit. Tous les utilisateurs et surveillants devraient donc se familiariser avec ces instructions. Quiconque choisissant d'utiliser le trampoline se doit de réaliser les limites de ses capacités.
- Le trampoline doit être assemblé sur l'herbe ou sur des tapis de sûreté approuvés par le BSI.
- Ce produit est seulement conçu pour un usage domestique.
- Déplacement du trampoline. Si le trampoline doit être déplacé, il doit être déplacé par deux personnes. Soulevez le trampoline peu et garder le trampoline lorsque vous déplacez horizontalement. Si nécessaire, vous pouvez démonter le trampoline. Suivez les instructions d'installation dans l'ordre inverse.

## 2.2 L'USAGE DU TRAMPOLINE

TOUT D'ABORD, vous devez vous familiariser avec votre trampoline et comprendre combien de rebonds suivent chaque saut. À ce stade, la priorité doit être la position du corps et la technique jusqu'à ce que vous développiez des qualités de contrôle et d'aisance.



- AVANT D'ESSAYER DE SAUTER TROP HAUT, la technique d'arrêt doit avoir été apprise, cela évitera les blessures si vous venez à sentir que vous sautez de manière incontrôlée.
- L'utilisateur qui atterrit sur les genoux doit être courbé afin de s'arrêter et pour que l'énergie du saut soit absorbée dans le tapis. La position est montrée dans l'image de gauche. Les bras sont déployés pour améliorer l'équilibre.
- Cette technique est utilisée lorsque l'utilisateur du trampoline souhaite arrêter de rebondir sur le trampoline par fatigue, perte de contrôle, etc.



**SAUTS PÉRILLEUX (FLIPS) : N'EFFECTUEZ AUCUN** saut périlleux d'aucunes sortes (saltos avant et arrière) sur ce trampoline. Si vous faites une erreur en essayant de réaliser un saut périlleux, vous pouvez atterrir sur votre tête ou cou. Ce qui augmentera la possibilité de vous fracturer ces derniers, pouvant entraîner la mort ou la paralysie.



**OBJETS ELOIGNÉS : N'UTILISEZ PAS** le trampoline si des animaux domestiques, d'autres personnes ou un quelconque objet se trouvent sous le trampoline. Cela augmentera la possibilité d'accidents, N'AYEZ aucun objet étranger dans vos mains et ne placez AUCUN objet sur le trampoline lorsque vous l'utilisez. N'INSTALLEZ PAS le trampoline sous des objets suspendus, comme des branches d'arbres, câbles, etc. ce qui augmente les probabilités d'accident.



**MAUVAIS ENTRETIEN DU TRAMPOLINE** : Un trampoline mal entretenu augmentera la probabilité d'accident. Veuillez inspecter le trampoline avant chaque utilisation en contrôlant les éventuels tubes d'acier tordus, déchirures du tapis de saut, ressorts lâches ou cassés et la stabilité générale du trampoline.

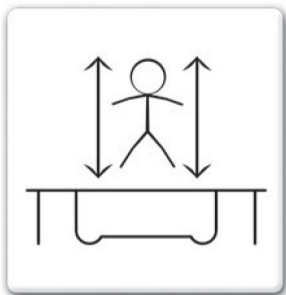


**CONDITIONS ATMOSPHÉRIQUES** : Veuillez prendre en compte les conditions météorologiques lorsque vous utilisez le trampoline. N'utilisez jamais le trampoline lorsqu'il est mouillé. Si le vent est trop fort, l'utilisateur pourra perdre le contrôle.



**ACCÈS LIMITÉ** : Lorsque le trampoline n'est pas utilisé, stockez toujours l'échelle d'accès dans un lieu sécurisé afin que des enfants non surveillés ne puissent pas jouer sur le trampoline.

## 2.3 ASTUCES POUR RÉDUIRE LE RISQUE D'ACCIDENTS



Afin de réduire le risque d'accident, **L'UTILISATEUR DU TRAMPOLINE** devrait :

- toujours rester maître de ses sauts et de sa position corporelle, à tout moment.
- Ne pas essayer d'exécuter des techniques dépassant son propre niveau de compétence.
- Lire et comprendre le saut en décollant et en atterrissant au milieu du trampoline.
- toujours contrôler son saut en décollant et en atterrissant au milieu du trampoline.
- toujours sauter verticalement et s'abstenir de rebondir en direction des ressorts dans une quelconque direction.
- toujours consulter un instructeur de trampoline certifié avant d'essayer toute technique sortant des techniques de base.

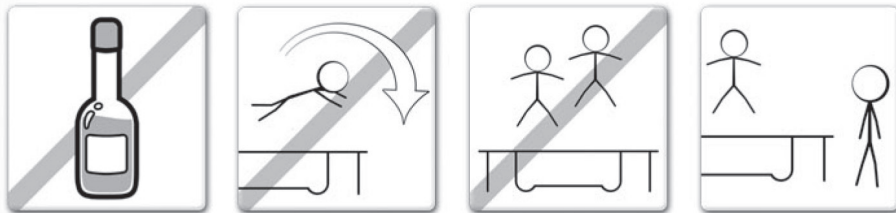
Afin de réduire le risque d'accident, le **SURVEILLANT** devrait :

- comprendre entièrement et faire respecter toutes les règles et directives de sûreté.
- Conseiller l'utilisateur du trampoline et l'informer sur ce qu'il fait correctement et mal afin d'assurer la sûreté de l'utilisateur du trampoline.
- Connaître tous les avertissements de sûreté et en informer l'utilisateur du trampoline.

**IMPORTANT : Si le trampoline ne peut pas être surveillé, une méthode doit être utilisée pour empêcher quiconque d'utiliser le produit, jusqu'à ce que la surveillance soit possible.**

## 2.4 INSTRUCTIONS DE SÉCURITÉ

### PRECAUTIONS À RESPECTER LORS DE L'UTILISATION DU TRAMPOLINE



- N'utilisez pas le trampoline si vous avez consommé de l'alcool ou des substances narcotiques
- Montez et descendez du trampoline de manière contrôlée et soigneuse. Ne sautez jamais sur ou hors du trampoline et n'utilisez jamais le trampoline comme un moyen pour rebondir sur ou dans un autre objet.
- Apprenez toujours le saut de base et maîtrisez chaque type de saut avant d'essayer des types de sauts plus difficiles. Passez en revue la section des techniques de base pour apprendre à effectuer les éléments de base.
- Pour arrêter de rebondir, fléchissez vos genoux lorsque vous atterrissez sur vos pieds.
- Conservez toujours le contrôle de votre équilibre lorsque vous rebondissez sur le trampoline. Un saut est contrôlé lorsque vous atterrissez à l'endroit exact d'où vous avez décollé. Si vous sentez que vous avez perdu le contrôle, cessez immédiatement de rebondir.
- Ne sautez pas ou ne rebondissez pas trop haut ou pendant des périodes prolongées pendant plusieurs sauts. Gardez vos yeux sur le tapis de saut pour conserver le contrôle. Dans le cas contraire, vous pourriez perdre votre équilibre.
- N'ayez jamais plus d'une personne à la fois sur le trampoline.

### PRECAUTIONS CONSEILLÉES LORS DE LA SURVEILLANCE DU TRAMPOLINE

**IMPORTANT :** Familiarisez-vous avec les sauts et les règles de sécurité de base. Pour éviter et réduire le risque de blessures, assurez-vous que toutes les règles de sécurité soient respectées et que les nouveaux utilisateurs maîtrisent les sauts de base avant d'essayer des techniques plus avancées.

- **TOUS LES UTILISATEURS** doivent être surveillés, indépendamment de leur niveau de compétence ou de leur âge.
- N'utilisez jamais le trampoline lorsqu'il est mouillé, endommagé, sale ou usé. Le trampoline doit être inspecté avant utilisation.
- Gardez toujours à l'écart du trampoline tous les objets pouvant interférer pendant l'utilisation. Gardez à l'esprit ce qui se trouve au-dessus, en dessous et autour du trampoline.
- Pour prévenir une utilisation non surveillée et non autorisée, le trampoline devrait toujours être sécurisé.

## 2.5 ACCIDENT CLASSIFICATION & IDENTIFICATION



### MONTAGE ET DÉMONTAGE :

Soyez très prudent lorsque vous montez et descendez du trampoline. Ne montez PAS sur le trampoline en saisissant le rembourrage de l'armature, marchant sur les ressorts ou sautant sur le tapis du trampoline depuis un objet (un pont, toit ou échelle). Cela est considéré comme très dangereux. Ne descendez PAS en sautant hors du trampoline et en atterrissant sur le sol. Si des petits enfants jouent sur le trampoline, ils peuvent avoir besoin d'aide pour monter et descendre.



### CONSOMMATION D'ALCOOL ET DE DROGUE :

NE consommez AUCUN alcool ou aucune drogue (y compris les médicaments pouvant affecter la coordination de l'utilisateur) lorsque vous utilisez ce trampoline. Cela est considéré comme extrêmement dangereux, car ces substances étrangères réduisent vos jugements, temps de réponse et coordination physique générale.



### UTILISATEURS MULTIPLES :

N'ayez jamais plus d'une personne à la fois sur le trampoline.



### HEURT CONTRE L'ARMATURE DES RESSORTS:

Lorsque vous jouez sur le trampoline, RESTEZ au centre du tapis de trampoline. Cela réduira le risque de blessures à l'atterrissage sur le tapis de saut. Conservez toujours le rembourrage du châssis qui recouvre l'armature du trampoline. NE MONTEZ OU SAUTEZ PAS directement sur l'armature de rembourrage, car il n'est pas conçu pour supporter le poids d'une personne.



### PERTE DE CONTRÔLE :

N'essayez pas de faire des manoeuvres difficiles avant de maîtriser les bases. Si vous ne respectez pas ces directives, vous augmentez le risque de blessure.

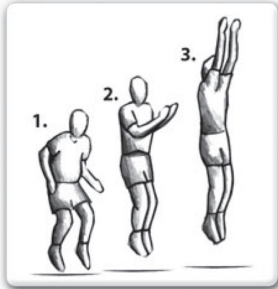
**AVERTISSEMENT: Faire une pause toutes les 10 minutes.**



## 3.0 TECHNIQUES DE TRAMPOLINE

### TECHNIQUES DE BASE

#### TECHNIQUE DE BASE 1 : Le saut de base



- Démarrez depuis la position debout, les pieds bien écartés à la largeur des épaules, la tête relevée et les yeux sur le tapis du trampoline.
- Balancez les bras en avant et au-dessus de la tête dans un mouvement circulaire.
- Rapprochez les jambes et les pieds à "mi-air" et pointez les orteils.
- Atterrissez sur le tapis, les pieds bien écartés à la largeur des épaules (identique à la position de démarrage).
- Pourquoi ne pas essayer de passer à l'étape supérieure une fois cette technique bien maîtrisée?

#### TECHNIQUE DE BASE 2 : l'atterrissage sur les genoux

- Démarrez par un saut de base, bas (comme détaillé dans la TECHNIQUE DE BASE 1).
- Atterrissez avec les pieds bien écartés à la largeur des épaules, le dos droit et dans une position corporelle forte en utilisant les bras sur les côtés ou sur le devant pour maintenir l'équilibre.
- Revenez à la position de base en utilisant le moment du rebond et en balançant les bras au dessus de la tête.
- Une fois la technique maîtrisée à cette hauteur, essayez de sauter un peu plus haut, mais n'oubliez pas de contrôler toujours votre hauteur.

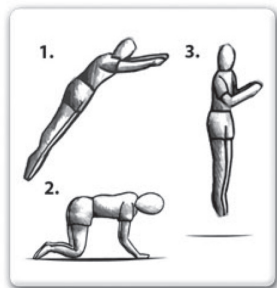


#### TECHNIQUE DE BASE 3 : l'atterrissage assis



- Démarrez par un saut de base, bas (TECHNIQUE DE BASE 1) en position normale.
- Atterrissez avec les jambes tendues face à vous, les mains de part et d'autre de vos hanches et le dos droit dans une position corporelle forte.
- Utilisez le moment du rebond en vous aidant d'une pression des mains pour revenir en position debout.
- Une fois la technique maîtrisée à cette hauteur, essayez de sauter un peu plus haut, mais n'oubliez pas de contrôler toujours votre hauteur.

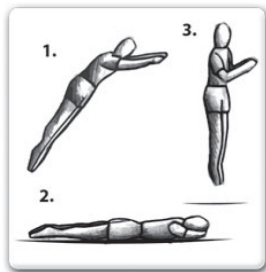
**IMPORTANT : Veuillez consulter un instructeur de trampoline formé avant d'essayer de passer à des techniques plus avancées afin d'assurer un niveau de sécurité le plus élevé possible.**

**TECHNIQUES AVANÇÉES****TECHNIQUE AVANÇÉE 1 : le saut de base**

- Commencez par un saut de base, bas (TECHNIQUE DE BASE 1) en position normale.
- Atterrissez sur vos mains et genoux en même temps, assurez-vous de maintenir le dos horizontalement au tapis de saut, les mains et jambes écartés de la largeur des épaules.
- Utilisez le moment du rebond et poussez avec vos mains pour repasser en position verticale.
- Une fois la technique maîtrisée à cette hauteur, essayez de sauter un peu plus haut, mais n'oubliez pas de contrôler toujours votre hauteur.
- Essayez de passer à l'étape supérieure une fois cette technique bien maîtrisée.

**TECHNIQUE AVANÇÉE 2 : Mains et genoux en tomber plat-ventre**

- Atterrissez sur vos mains et genoux en même temps, assurez-vous de maintenir le dos horizontalement au tapis de saut, les mains et jambes écartés de la largeur des épaules.
- Maintenez une position corporelle ferme, le dos à l'horizontale et les jambes tendues et pliez les bras face au visage à mi-air, prêt à atterrir sur le tapis en position allongée.
- Assurez-vous que l'atterrissage se fasse avec la moitié du corps touchant le tapis en même temps.
- Poussez sur les mains et repassez en position verticale.
- Une fois la technique maîtrisée à cette hauteur, essayez de sauter un peu plus haut, mais n'oubliez pas

**TECHNIQUE AVANÇÉE 3 : Le tomber plat-ventre**

- Commencez par un saut de base, bas (TECHNIQUE DE BASE 1) en position normale.
- Maintenez une position corporelle solide, le dos à l'horizontale et les jambes tendues et pliez les bras face au visage à mi-air, prêt à atterrir sur le tapis en position allongée.
- Assurez-vous que l'atterrissage se fasse avec la moitié du corps touchant le tapis en même temps.
- Poussez sur les mains et repassez en position verticale.
- Une fois la technique maîtrisée à cette hauteur, essayez de sauter un peu plus haut, mais n'oubliez pas de contrôler toujours votre hauteur.

**IMPORTANT : Si vous souhaitez aller plus loin et apprendre d'autres techniques avancées pour trampoline, veuillez consulter un instructeur qualifié et agréé.**

## 4.0 INFORMATIONS GÉNÉRALES

- Il n'est pas nécessaire de démonter le trampoline pendant l'hiver.
- Les écrous autobloquants et les vis conviennent uniquement pour une mise en place et doivent être remplacés après un démontage du trampoline et/ou du filet de sécurité.
- Le filet de sécurité a une durée de vie minimum de 5 ans après l'achat.
- On recommande de placer les trampolines sur une surface plane et horizontale à au moins 2 m de distance d'autres superstructures ou barrières, par exemple d'un garage, d'une maison, de branches d'arbre, lignes de lavage ou câbles électriques.
- Le trampoline ne sera pas installé au-dessus de surfaces dures comme l'asphalte ou le béton.
- Remplacer les pièces défectueuses conformément à la recommandation du fournisseur.
- Les modifications au trampoline (par exemple l'ajout d'un accessoire) doivent être effectuées conformément à l'instruction du fournisseur.

## 5.0 ASSEMBLAGE DU TRAMPOLINE

### CONSTRUCTION PAR ETAPES

**Assemblage exclusivement confié à un adulte.**

**Pour assembler** ce trampoline tout ce dont vous avez besoin est notre outil spécial de mise sous tension des ressorts fourni avec ce produit. Lorsqu'il n'est pas utilisé, ce trampoline peut facilement être démonté et stocké. **Veillez lire les instructions d'assemblage avant de commencer à assembler le produit.**

Veillez vous référer au tableau pour les descriptions des pièces et les numéros. L'instruction d'assemblage utilise ces descriptions et numéros comme référence .

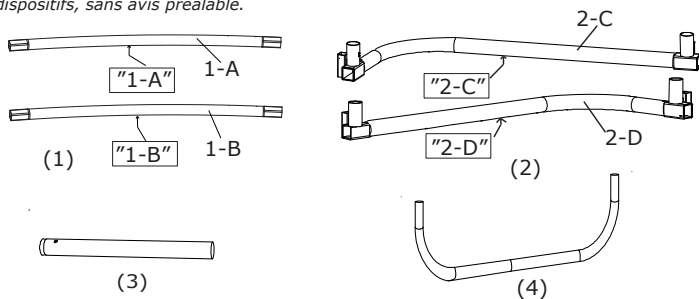
Assurez-vous de posséder toutes les pièces listées. Si des pièces sont manquantes, veuillez contacter votre revendeur.

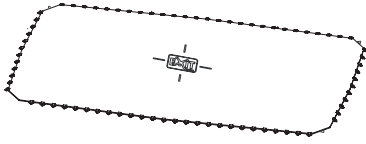
**Au cours de l'assemblage, veuillez utiliser des gants pour protéger vos mains contre d'éventuels pincements. Une fois prêt à commencer, assurez-vous que vous avez suffisamment d'espace et un endroit propre et sec pour l'assemblage.**

## Parts list

Nr.	Description	#
1	Tube central (comprend deux tubes central 1-A, deux tubes central 1-B)	4
2	Tube d'angle (comprend deux tubes d'angle 2-C, deux tubes d'angle 2-D)	4
3	Extension de pied	8
4	Pied	4
5	Tapis de trampoline, coutures avec anneaux en V	1
6	Ressort	76
7	Rembouffage d'armature	1
8	Boulon M6 X 55 mm	16
9	Rondelle M6	32
10	Ecrou M6	16
11	Tube supérieur + manchon en mousse	8
12	Tube inférieur + manchon en mousse	8
13	Manchon	8
14	Capuchon du pilier	8
15	Embout	8
16	Filet	1
17	Vis M4.8 X 16 mm	8
18	Cordon	4
19	Échelle	1
20	Filet à chaussures	1
#	Outils	1 Set
	Étiquette d'avertissement	1

*Vous trouverez ci-joint les spécifications actuelles et les caractéristiques du produit disponibles au moment de l'impression. Des modifications ont cependant pu être apportées dans l'équipement, la disponibilité, les caractéristiques et les dispositifs, sans avis préalable.*

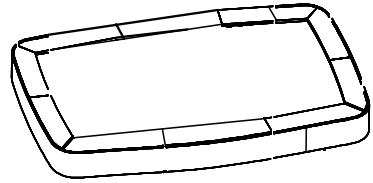




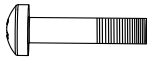
(5)



(6)



(7)



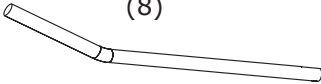
(8)



(9)



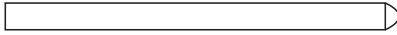
(10)



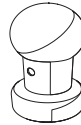
(11)



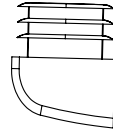
(12)



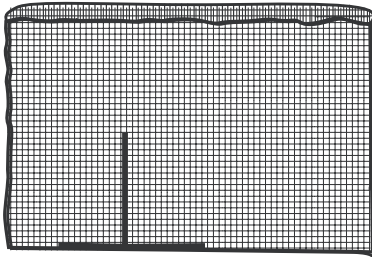
(13)



(14)



(15)



(16)



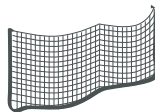
(17)



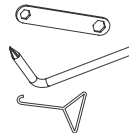
(18)



(19)



(20)



Tools



Warning Label

#

## Étape 1

Insérez l'extension de la jambe (3) dans le tube d'angle (2-C). Fixez à l'aide d'un boulon M6 x 55 mm (8) deux rondelles M6 (9), et l'écrou M6 (10) comme indiqué.

Insérez ensuite les deux extrémités de la jambe (4) dans l'extension de la jambe (3). Fixez deux rondelles M6 (9), et l'écrou M6 (10) à l'aide d'un boulon M6 x 55 mm (8) comme indiqué.

L'unité E est maintenant terminée.

**Attention : Ne serrez pas les écrous.**

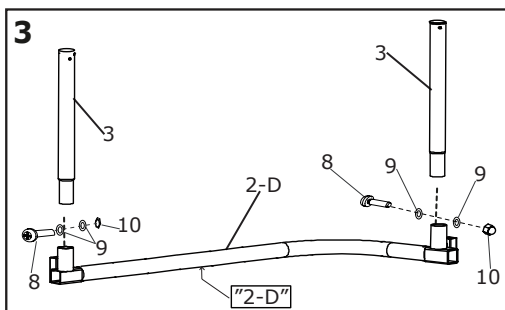
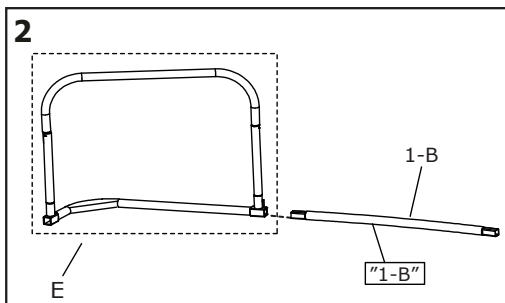
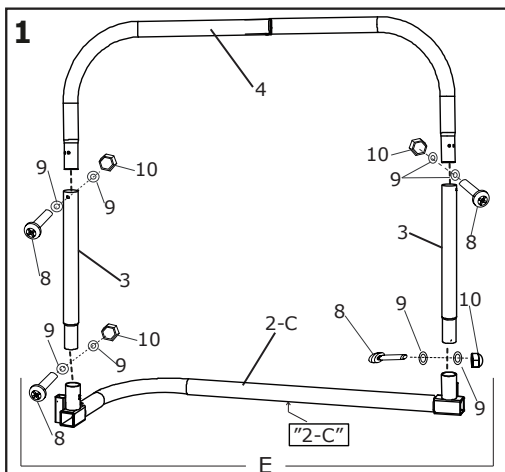
## Étape 2

Fixez l'unité E au tube central (1-B) comme indiqué.

Répétez les étapes 1 + 2 jusqu'à ce que les deux extensions de la jambe soient terminées.

## Étape 3

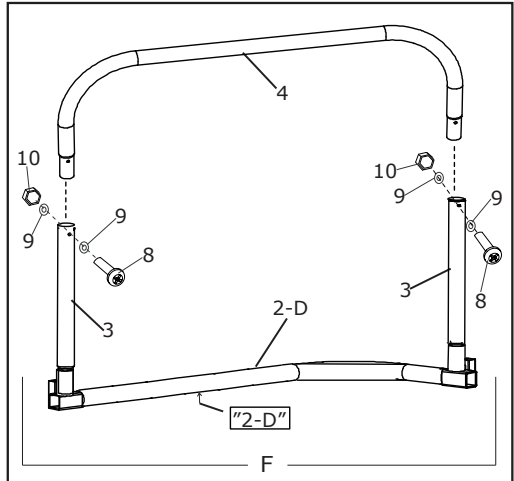
Insérez l'extension de la jambe (3) dans le tube de l'angle T (2-D). Fixez deux rondelles M6 (9) et l'écrou M6 (10) à l'aide du boulon M6 x 55 mm (8) comme indiqué.



Insérez ensuite les deux extrémités de la jambe (4) dans l'extension de la jambe (3). Fixez deux rondelles M6 (9), et l'écrou M6 (10) à l'aide d'un boulon M6 x 55 mm (8) comme indiqué.

L'unité E est maintenant terminée.

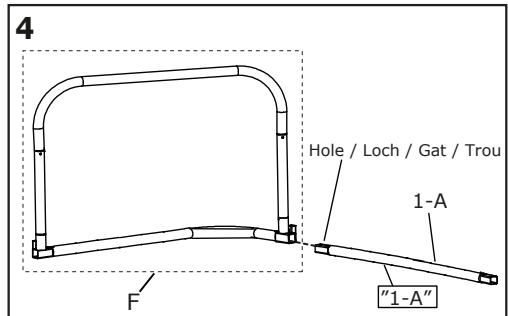
**Attention : Ne serrez pas les écrous.**



#### Étape 4

Fixez l'unité F au tube central (1-A) comme indiqué.

Répétez les étapes 3-4 jusqu'à ce que les deux extensions de la jambe soient terminées.

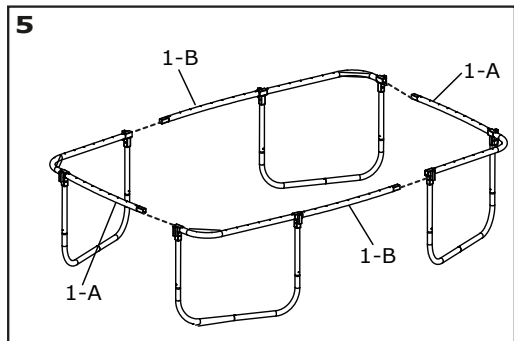


#### Étape 5

Tenez deux parties de la jambe debout et maintenez-les dans les positions indiquées.

Insérez la petite extrémité dans le tube supérieur avec la douille. Répétez cette opération jusqu'à ce que les quatre parties de la jambe soient reliées.

Maintenant, le cadre est entièrement monté et autonome.



**Attention : serrez tous les écrous.**



**ATTENTION !!** : Faites attention à l'emplacement où se situent vos mains et d'autres parties du corps, car les pointes du connecteur et les attaches des ressorts peuvent créer des pièges pour les mains ou le corps.

## Étape 6

Posez la toile (5) sur le sol à l'intérieur du cadre monté.

Remarque: Il y a 68 « anneaux en V » et 4 « anneaux en D » autour du bord de la toile (5) et 76 trous autour de la partie supérieure du cadre. Fixez la toile (5) sur le cadre en utilisant les 76 ressorts (6).

### Fixez le ressort (6) comme suit :

1. Accrochez une extrémité d'un ressort dans un anneau en V cousu sur la toile de saut.
2. Accrochez un outil de ressort représenté sur le dessin encadré dans l'extrémité libre du ressort.
3. Tirez-le avec l'outil de ressort jusqu'à ce qu'il atteigne le cadre.
4. Poussez l'extrémité du ressort dans un trou du cadre. Décrochez l'outil de ressort.

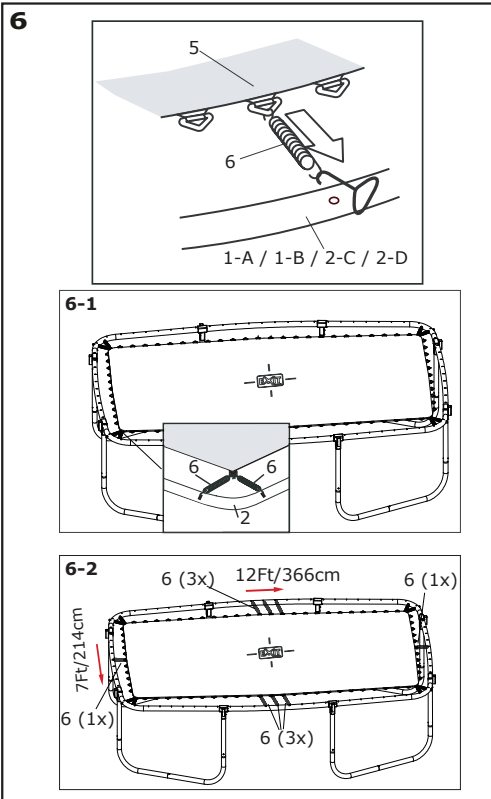
#### 6.1

Fixez l'anneau en D cousu à l'angle de la toile sur le tube de l'angle à l'aide des deux ressorts comme indiqué. Il y aura ensuite huit ressorts fixés, deux dans chaque angle.

#### 6.2

Comptez exactement 10 trous de cadre et 10 anneaux en V dans la direction de 366 cm (12Ft). Fixez trois ressorts. Répétez l'opération sur la direction opposée de 366 cm (12Ft) de long côté du trampoline.

Comptez exactement 5 trous de cadre et 5 anneaux en V dans la direction de 214 cm (7Ft). Fixez trois ressorts. Répétez sur le côté court de 214 cm (7Ft) en direction opposée du trampoline. Vous devriez maintenant avoir 16 ressorts fixés. Continuez à fixer les grands ressorts restants entre les ressorts préalablement fixés, jusqu'à ce que tous les ressorts soient fixés.



### Attention:

il est recommandé de porter des gants en cuir lors de la fixation des ressorts. Soyez prudent lorsque vous mettez vos mains, car les ressorts et les joints de cadre risquent de vous piquer.

### Remarque:

le ressort comporte un grand crochet qui se fixe sur le cadre et un petit crochet qui se fixe sur l'anneau de la toile.

### Remarque:

Lorsque vous fixez les ressorts, comptez soigneusement les anneaux en V et les trous de cadre. Si un trou ou un anneau de V a été oublié refixez le ressort dans la bonne position.



## Étape 7

Posez le matelas (7) sur le cadre.  
Réglez la position du matelas de sorte que les fentes se retrouvent directement au-dessus.

**Remarque : le matelas a deux couleurs : vert et gris. Vous pouvez choisir votre couleur préférée sur le dessus.**

Examinez la partie inférieure du trampoline. Fixez les sangles sur le cadre.

Fixez toutes les sangles restantes (non représentées).

### Remarque:

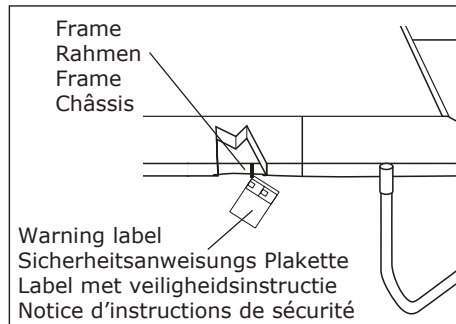
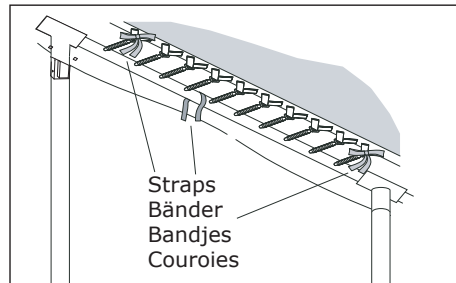
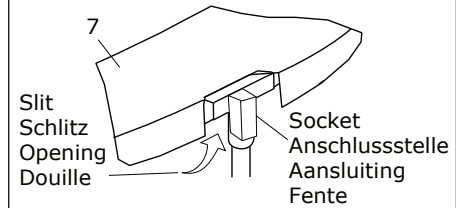
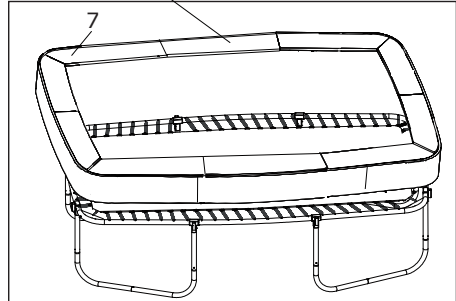
N'utilisez pas le trampoline sans le matelas. Ceci est conçu pour réduire le risque de blessures dans le cas où les sauteurs entrent en contact avec le cadre du trampoline.

Fixez l'étiquette d'avertissement sur le cadre près du point où les sauteurs grimpent et descendent du trampoline en utilisant l'attache en plastique incluse.

7



Choose Green or Grey  
Wählen Sie Grün oder Grau  
Kies Groen of Grijs  
Choisissez vert ou gris

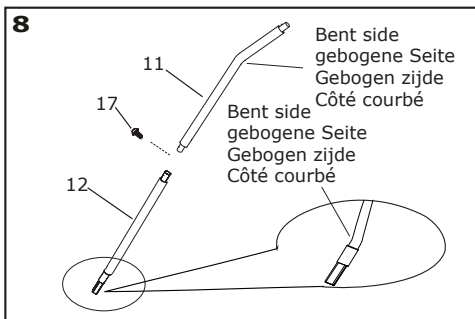


## Étape 8

Introduisez le tube inférieur avec de la mousse (12) dans le tube supérieur avec de la mousse (11). Fixez à l'aide d'une vis M4,8 x 16 mm (17).

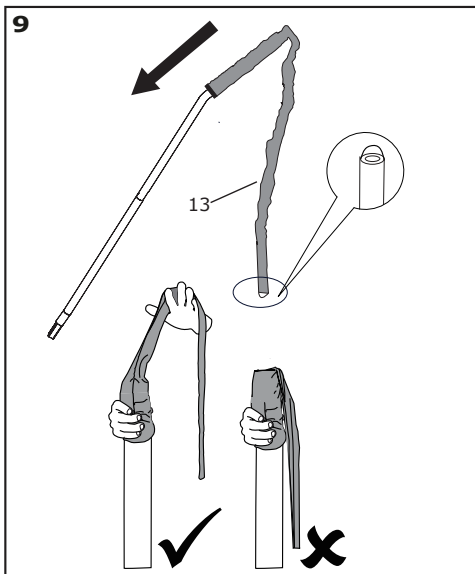
### Remarque :

**Assurez-vous que les côtés courbés sur le tube supérieur (11) et le tube inférieur (12) soient situés à l'opposé l'un de l'autre.**



## Étape 9

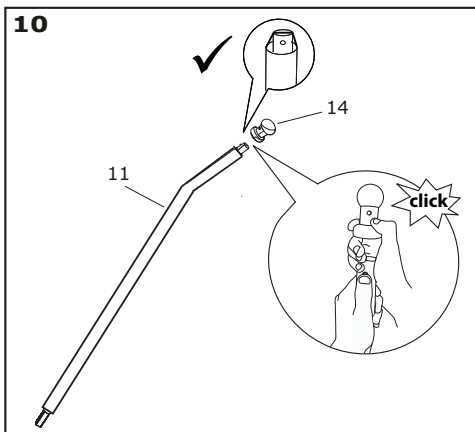
Faites glisser les tubes assemblés dans le manchon (13).



## Étape 10

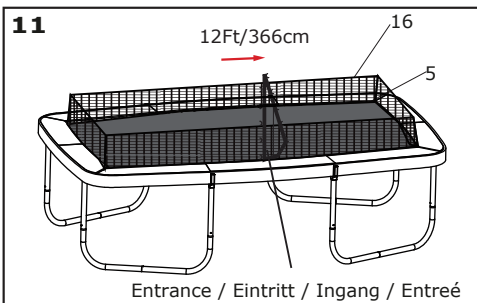
Fixez le capuchon du pilier (14) sur le tube supérieur (11), comme illustré.

Répétez les étapes 8-10 pour assembler les sept tubes supérieurs avec de la mousse (11), les tubes inférieurs avec de la mousse (12), les manches (13) et les capuchons des piliers (14) restants.



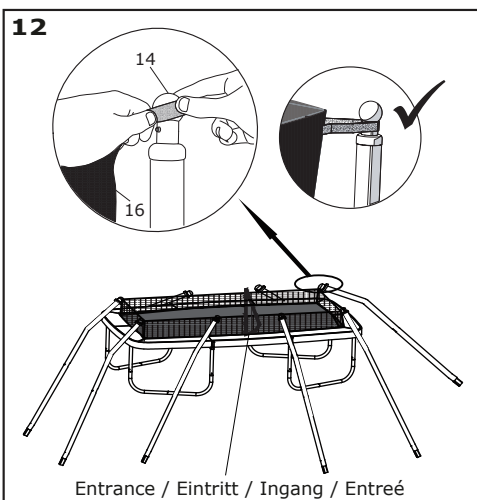
## Étape 11

Posez le filet (16) sur la toile (5). Assurez-vous que la porte du filet de clôture se trouve au milieu de la direction de 366 cm (12Ft), comme illustré.



## Étape 12

Insérez le bouchon du pilier (14) dans la sangle sur le bord supérieur du filet (16) comme indiqué.



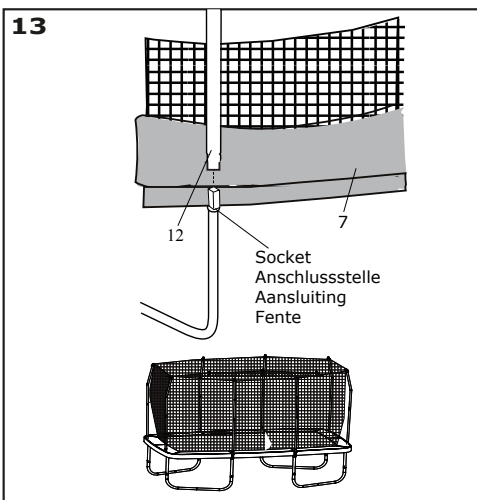
## Étape 13

Insérez le tube inférieur (12) dans le trou supérieur de la douille à partir de la porte du filet de clôture.

**Assurez-vous que les côtés courbés des tubes supérieurs (11) soient orientés face au centre du trampoline.**

**Remarque :**  
**Les extrémités des tubes inférieurs (12) sont tranchantes.**  
**Soyez prudent lors du montage.**

Maintenant, votre trampoline et votre filet de clôture sont tels qu'indiqués dans l'image.

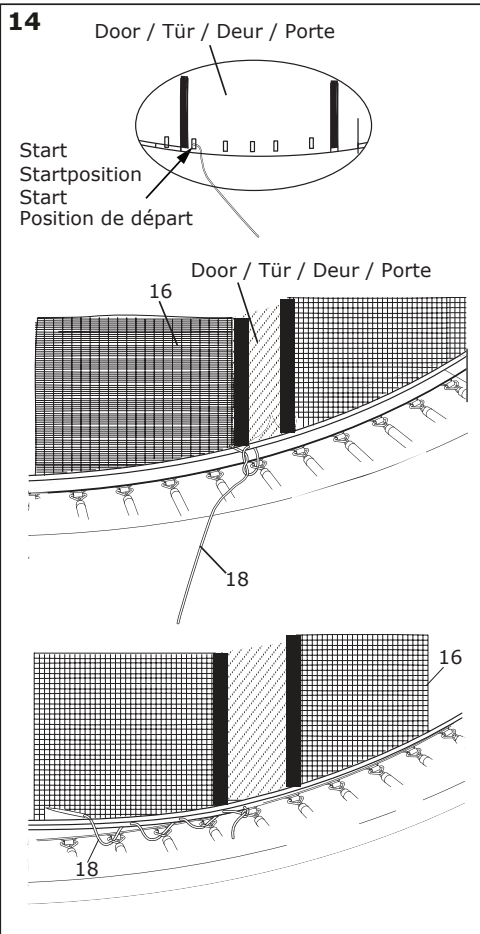


## Étape 14

Attention: lors de l'étape 14, vous allez « coudre » le bord inférieur du filet (16) aux anneaux en V sur la toile à l'aide des cordons (18). Placez l'anneau en V le plus proche de la porte. Faites passer une extrémité d'un cordon (18) à travers le bord inférieur du filet (16) au-dessus de l'anneau de V, puis passez le cordon à travers l'anneau en V. Attachez le filet à l'anneau en V en faisant un double nœud dans le cordon.

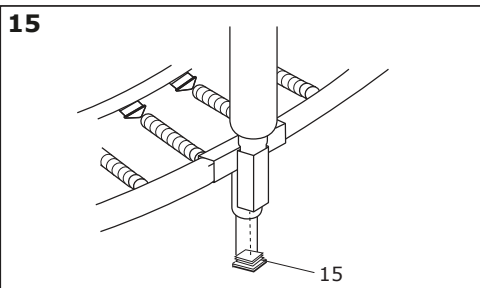
Faites passer le cordon (18) à travers le bord inférieur du filet (16) à mi-chemin entre le premier anneau en V et l'anneau en V qui se trouve à gauche, puis passez le cordon à travers l'anneau en V à gauche. Répétez cette opération jusqu'à ce que le cordon entier passe à travers le filet et l'anneau en V, comme illustré. Maintenez le cordon tendu. Attachez l'extrémité du cordon au dernier anneau en V qu'il atteint. Répétez cette opération jusqu'à ce que tous les cordons soient fixés.

Attachez un deuxième cordon (non représenté) au dernier anneau en V atteint par le premier cordon. Faites passer le deuxième cordon à travers le filet (16) et l'anneau en V comme décrit plus haut. Assurez-vous que le filet soit cousu à chaque anneau en V sur la toile du trampoline.



## Étape 15

Insérez le capuchon d'extrémité (15) dans le trou inférieur de la douille.



## Étape 16

Montage de l'échelle (19).

Insérer la marche (1) dans la barre (2), comme illustré. Fixez à l'aide d'un boulon M6 x 40 mm (3) et d'un écrou M6 (4).

Fixez le tube inférieur (5) et la barre ensemble comme indiqué. Fixez à l'aide d'un boulon M6 x 40 mm (3).

Fixez l'échelle au trampoline comme indiqué ci-dessous.

## Étape 17

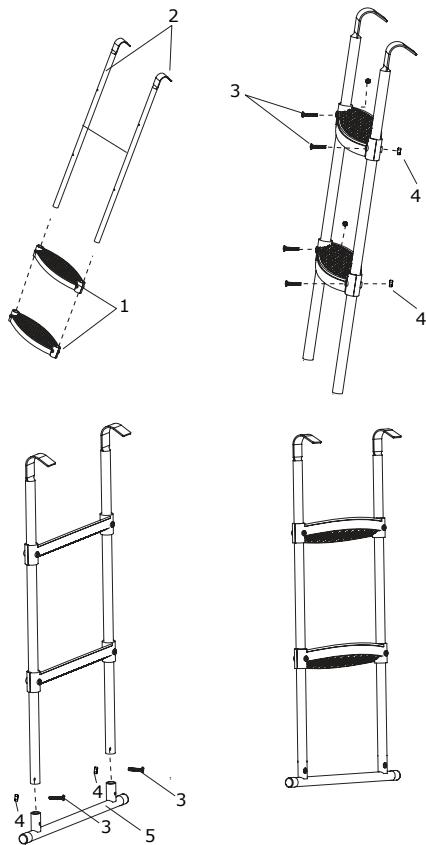
Fixez le filet à chaussures (20) au cadre comme indiqué.

Félicitations ! Votre trampoline est désormais entièrement monté (mis en place).

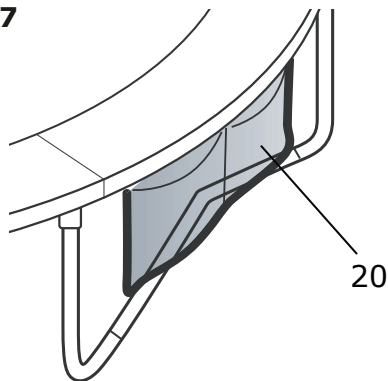
**Assurez-vous que toutes les pièces soient bien fixées. Familiarisez-vous ainsi que tous les utilisateurs avec le trampoline, les précautions de sécurité, l'utilisation du matériel didactique, et les consignes d'entretien et de maintenance de ce manuel avant d'utiliser le trampoline.**



16



17



## 6.0 SOINS ET ENTRETIEN

Ce trampoline a été conçu et fabriqué dans les règles de l'art et avec des matériaux de qualité. Si un entretien correct est apporté, ce trampoline fournira des années d'exercice et de plaisir à tous les utilisateurs, tout en réduisant le risque de blessures. Veuillez suivre les directives énumérées ci-dessous :

Ce trampoline est conçu pour supporter un certain poids et un certain usage. Veuillez vous assurer que ce trampoline est utilisé par une seule personne à la fois. Lors de l'utilisation de ce trampoline, les utilisateurs devraient porter des chaussettes, des chaussons de gymnastique ou être pieds nus. Veuillez à ne PAS porter de chaussures de sport ou de ville lorsque vous utilisez ce trampoline. Afin d'empêcher le tapis du trampoline d'être endommagé ou sectionné, veuillez ne pas autoriser les animaux domestiques sur le tapis. Les utilisateurs ne devraient également porter aucun objet coupant avant d'utiliser le trampoline. Tous les objets pointus ou coupant devraient toujours rester à l'écart du trampoline.

### Instructions d'entretien

Il est particulièrement important de suivre les instructions d'entretien suivantes au début de chaque saison et périodiquement pendant la saison d'utilisation :

- Il est nécessaire de déterminer si tous les écrous et boulons sont bien serrés ;
- Vérifier que tous les raccords à ressort (goupilles de verrouillage) sont intacts et ne se déplacent pas lorsque le trampoline est utilisé ;
- Tous les capuchons de vis et les bords pointus doivent être vérifiés et remplacés au besoin ;
- Le manuel d'entretien sera conservé

Inspectez toujours le trampoline avant chaque usage, pour détecter d'éventuelles pièces tordues, endommagées ou manquantes. Plusieurs circonstances peuvent augmenter la probabilité d'accidents. Veuillez faire attention aux :

- Crevaisons, trous ou déchirures dans le tapis de trampoline
- Fléchissement du tapis de trampoline
- Couture défectueuse ou quelconque détérioration du tapis de saut
- Pièces du châssis tordues ou cassées, comme les pieds
- Ressorts cassés, manquants ou endommagés
- Rembourrage du châssis manquant ou mal attaché
- Pièces saillantes (surtout coupantes) sur le châssis, ressorts ou tapis de saut

**SI VOUS CONSTATEZ UNE DES CIRCONSTANCES PRÉCÉDENTES OU UNE QUELCONQUE CONDITION QUI POURRAIT, SELON VOUS, CAUSER DES DOMMAGES A UN QUELCONQUE UTILISATEUR, LE TRAMPOLINE DEVRAIT ÊTRE DÉSASSEMBLÉ OU SÉCURISÉ POUR EMPÊCHER SON UTILISATION JUSQU'À CE QUE LA/LES CONDITIONS SOIT RÉSOLUES.**

### CONDITIONS VENTEUSES

Dans des conditions de grand vent, le trampoline peut s'envoler. Si vous présentez des conditions venteuses, déplacez le trampoline dans un endroit abrité ou démontez-le. Une autre option est d'attacher la portion ronde, extérieure (châssis supérieur) du trampoline au sol, en utilisant des cordes et des poteaux. Pas sécurité, au moins trois (3) attaches devraient être utilisées.

### DÉPLACEMENT DU TRAMPOLINE

Si vous avez besoin de déplacer le trampoline, deux personnes devraient être mises à contribution. Tous les points des connecteurs devraient être enveloppés de manière sécurisée avec du ruban adhésif résistant aux intempéries, comme le « duct tape ». Cela maintiendra le châssis intact pendant le déplacement et empêchera les points de connecteurs de se défaire et de se séparer. Lors du déplacement, soulevez légèrement le trampoline du sol et gardez-le horizontalement. Pour tout mouvement d'un autre type, il vous faut désassembler le trampoline.

## 7.0 Garantie

1. Le propriétaire du Trampoline EXIT Toys bénéficie d'une garantie après la date d'achat:
  - de 5 ans sur le châssis du trampoline
  - de 2 ans sur les ressorts
  - de 2 ans sur les bords de protection et sur le tapis de saut
  - de 2 ans sur la rupture du châssis du filet de sécurité
  - de 1 an sur le déchirement du filet de sécurité
2. La garantie s'applique uniquement vis-à-vis des vices de construction et des vices matériels de ce produit ou des pièces de ce produit.
3. La garantie s'annule lorsque:
  - Ce produit est utilisé incorrectement et/ou avec négligence et non conformément à ce pour quoi il a été destiné.
  - Ce produit n'a pas été assemblé et entretenu conformément au carnet d'instructions.
  - Les réparations techniques sur ce produit n'ont pas été effectuées de manière compétente.
  - Les pièces montées plus tard ne correspondent pas aux spécifications techniques du produit concerné, ou sont montées de manière inexacte.
  - Les défauts liés aux influences climatologiques, comme la rouille, le rayonnement UV ou l'altération normale.
  - Le produit est utilisé pour la location ou est mis, d'une autre manière, à la disposition de plusieurs personnes non spécifiées.
4. Pendant la période de garantie, tous les vices de construction ou les vices matériels constatés par EXIT Toys seront réparés ou remplacés, selon le choix de EXIT Toys.
5. Le propriétaire du Trampoline EXIT Toys peut seulement prétendre à la garantie en proposant le produit à l'inspection auprès d'un distributeur EXIT Toys. La facture d'achat originale doit être remis au distributeur EXIT Toys.
6. En cas de vice de construction ou de vice matériel de EXIT Toys, le produit ou les pièces du produit sera/seront réparé(es) ou remplacé(es) gratuitement, selon le choix de EXIT Toys, pendant la période de garantie précitée à l'article 1.
7. Si la demande de garantie n'est pas justifiée, tous les frais encourus sont à la charge du propriétaire.
8. La garantie n'est pas transmissible aux tiers.
9. Le Trampoline est conçues pour un usage privé. Il est interdit de louer les trampolines ou de les placer dans des lieux publics comme des écoles ou des crèches. En cas de location ou d'utilisation dans des lieux publics, toute garantie ou autre responsabilité tombe.



**JumpARENA**  
Trampolines

# **JumpARENA**

## **RECTANGULAR TRAMPOLINES**



**TRAMPOLINE + SAFETY NET**

Contact:  
Dutch Toys Group  
Fabriekstraat 17<sup>e</sup>  
P.O. Box 369, 7000 AJ Doetinchem

[info@exittoys.com](mailto:info@exittoys.com)  
[www.exittoys.com](http://www.exittoys.com)

*EXIT is a registered trade mark of Dutch Toys Group*