

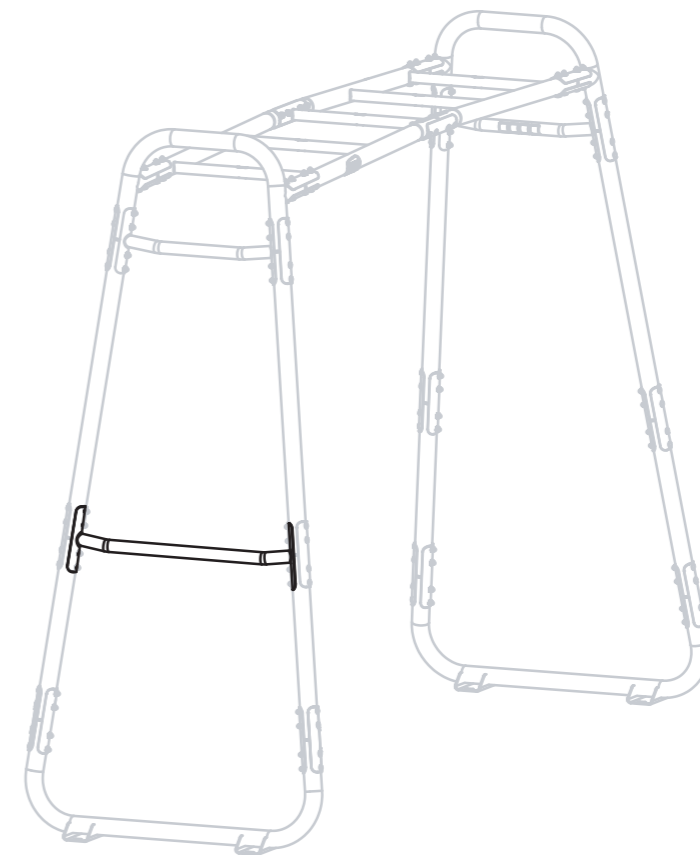


GetSet

EXIT GetSet Tumble Bar MB-PS



www.exittoys.com



Contact Information:

Dutch Toys Group B.V.
Edisonstraat 83
7006 RB Doetinchem, The Netherlands

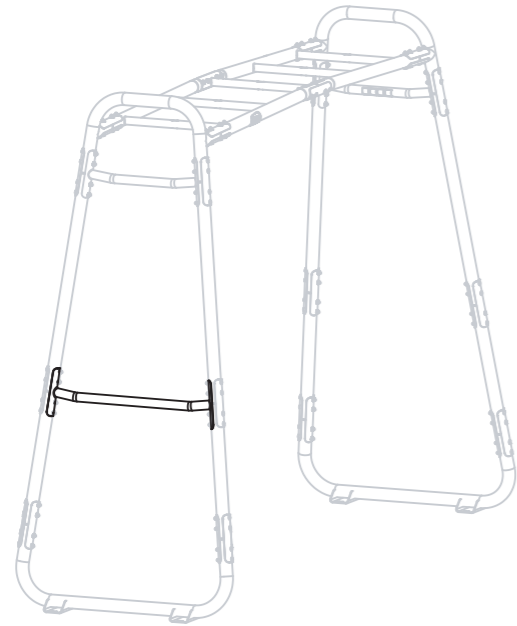
info@exittoys.com
www.exittoys.com

EXIT Toys is part of:

SIMBA · DICKIE · GROUP

EXIT Toys is a registered trade mark of Dutch Toys Group

MG-902-V01

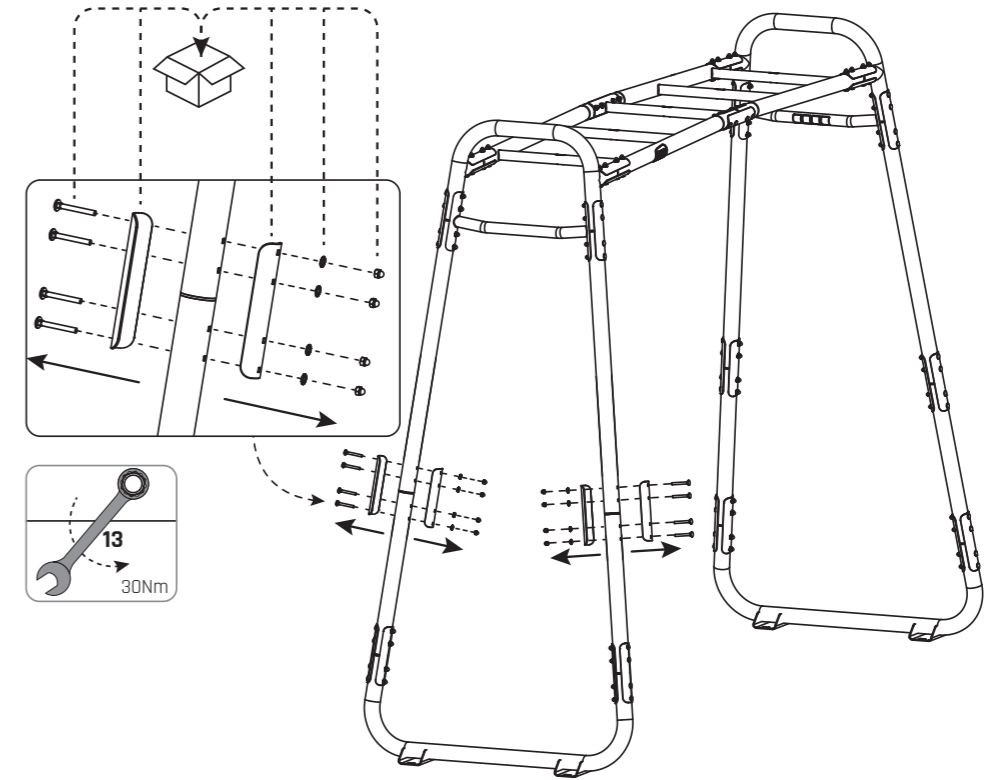


1



54.90.17.00 1X

1



2

