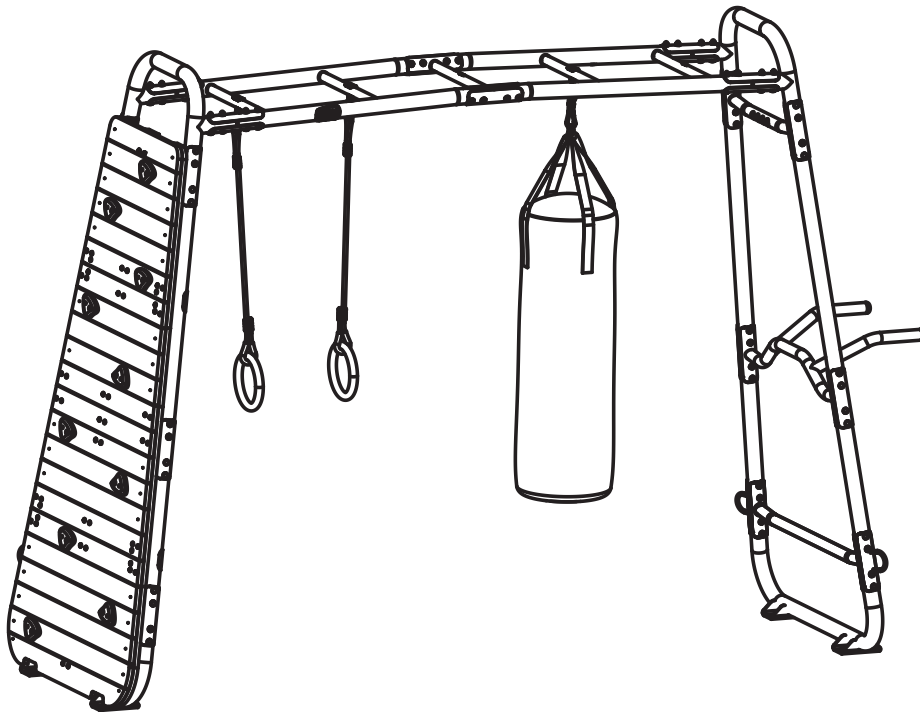




GetSet

MB220



G=Grey
B=Black

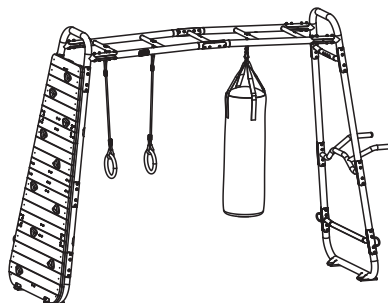
 **WARNING**
CHOKING HAZARD
small parts
Adult assembly required
retain for future reference



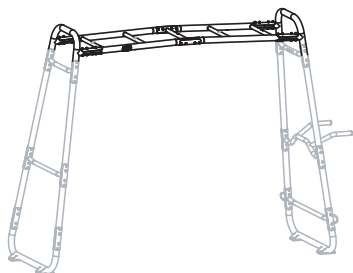
02



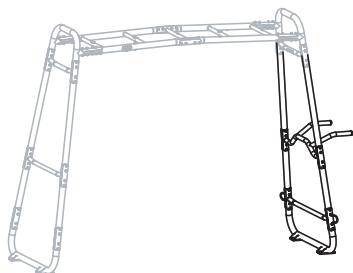
52



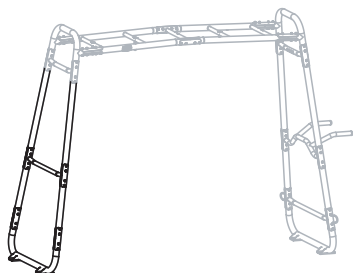
10



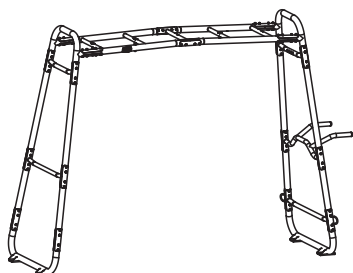
16



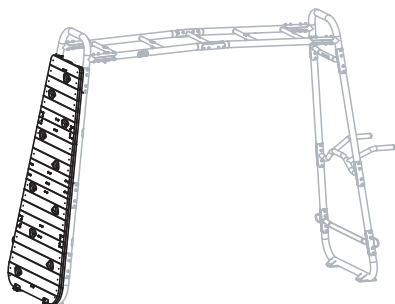
22

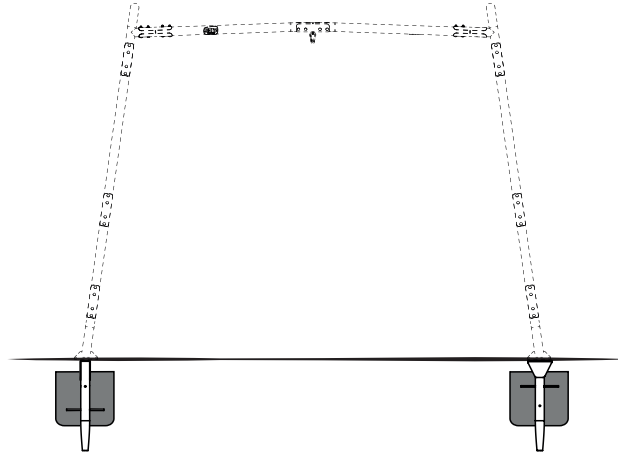


28

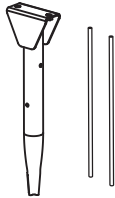


38



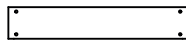


1



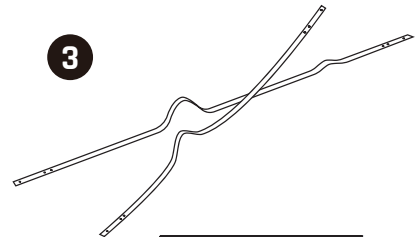
G	61.80.30.20	4X
B	61.80.30.30	

2



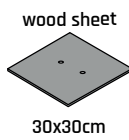
61.82.50.50	2X
-------------	----

3



61.85.50.60	1X
-------------	----

4



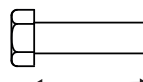
1X

5



Ø37*Ø13*3.0	8X
-------------	----

6



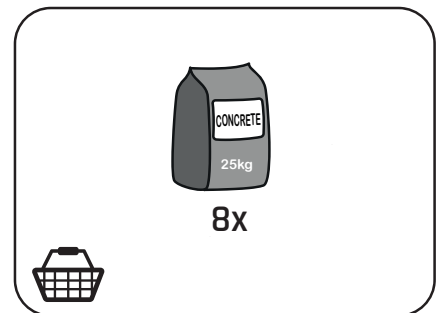
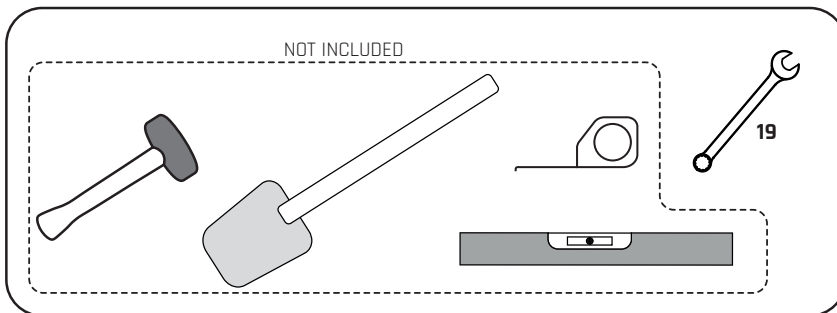
M12x45mm	8X
----------	----

7

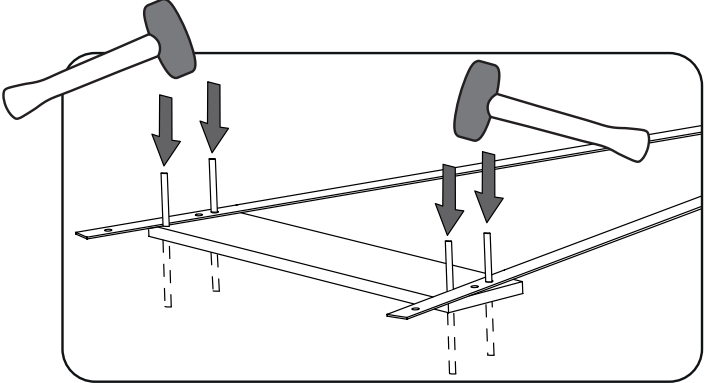
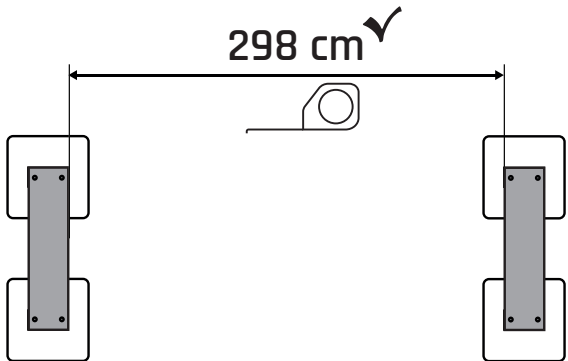
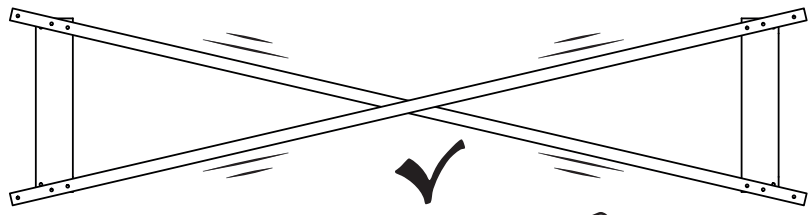
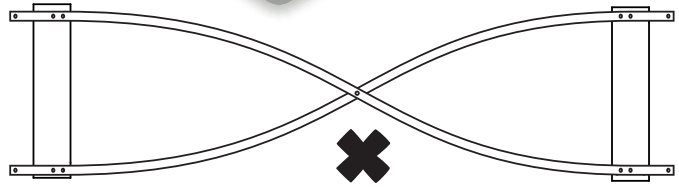
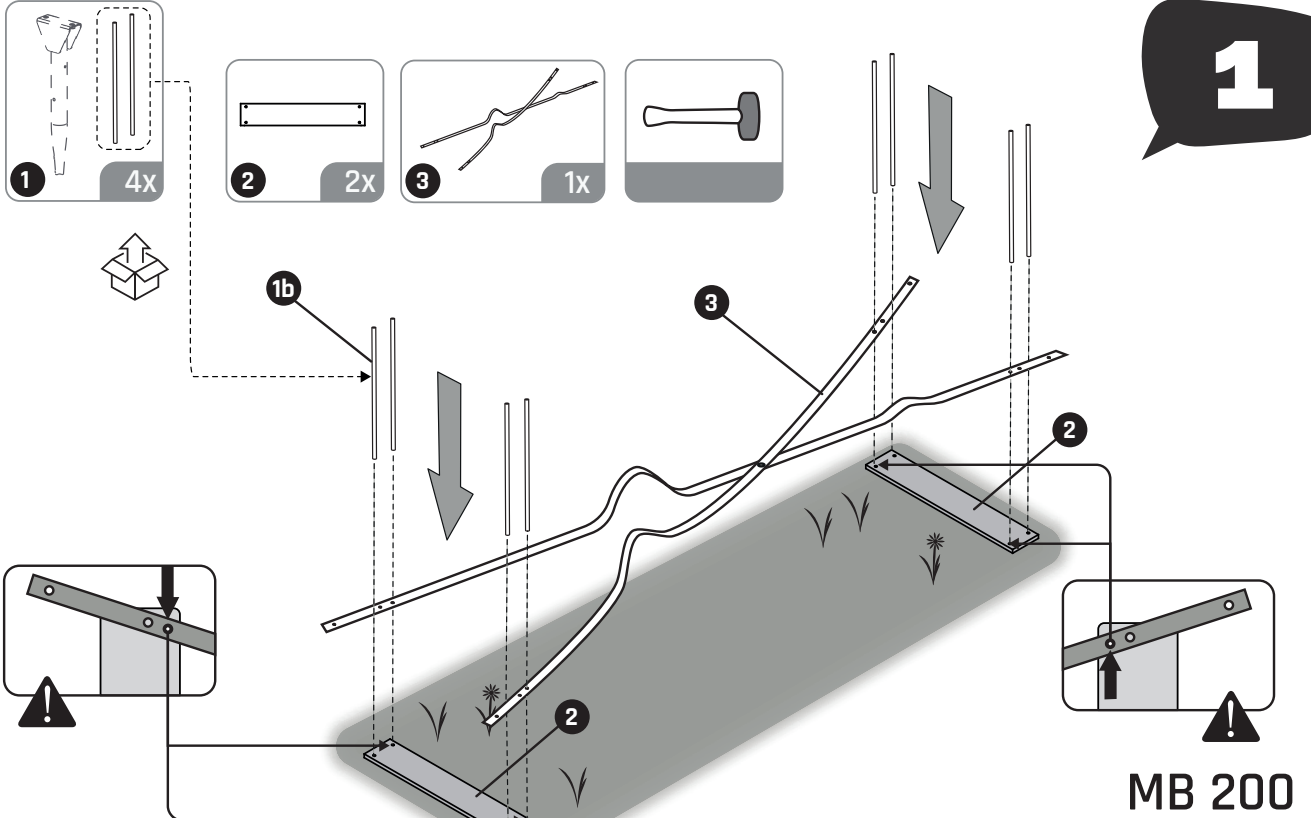


Ø13	8X
-----	----

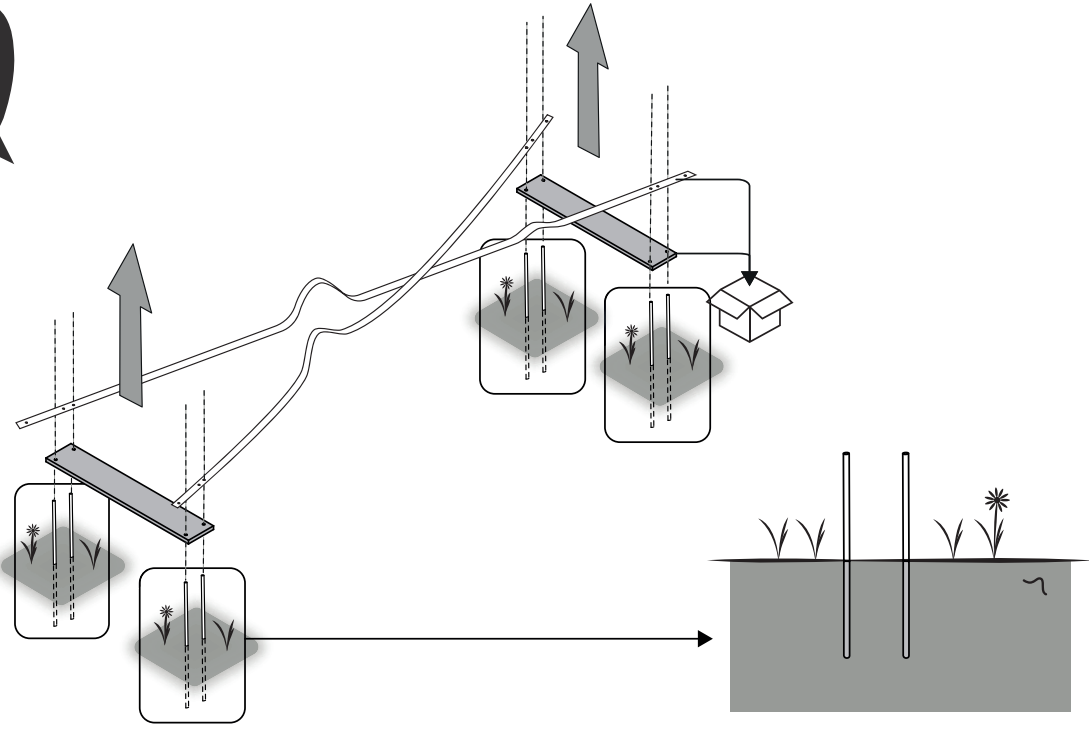
G	61.82.40.20	2X
B	61.82.40.25	



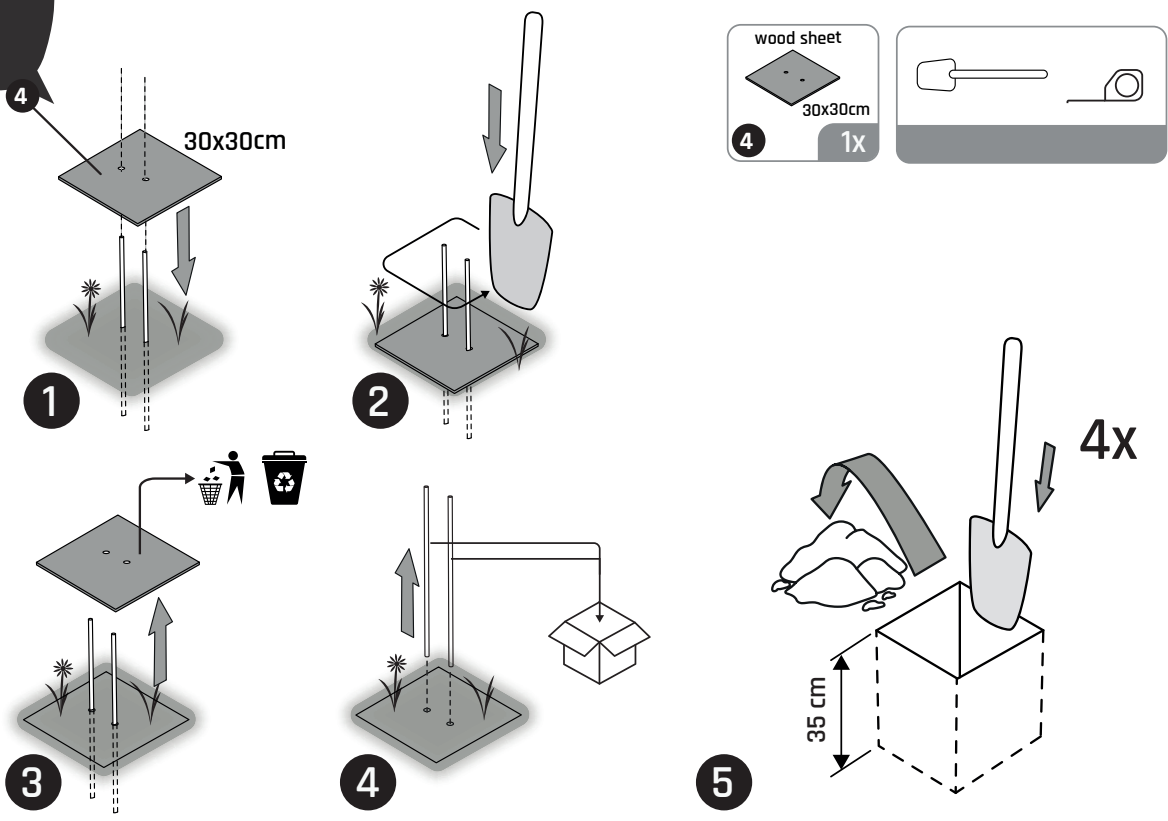
1



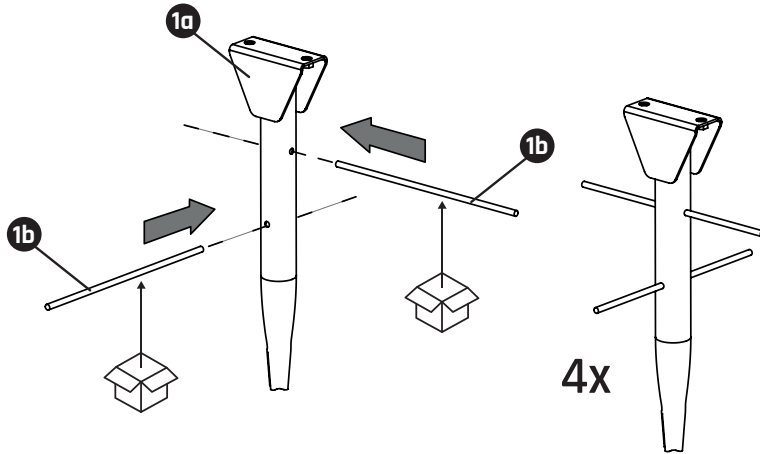
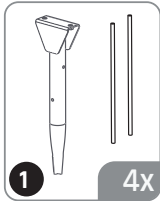
2



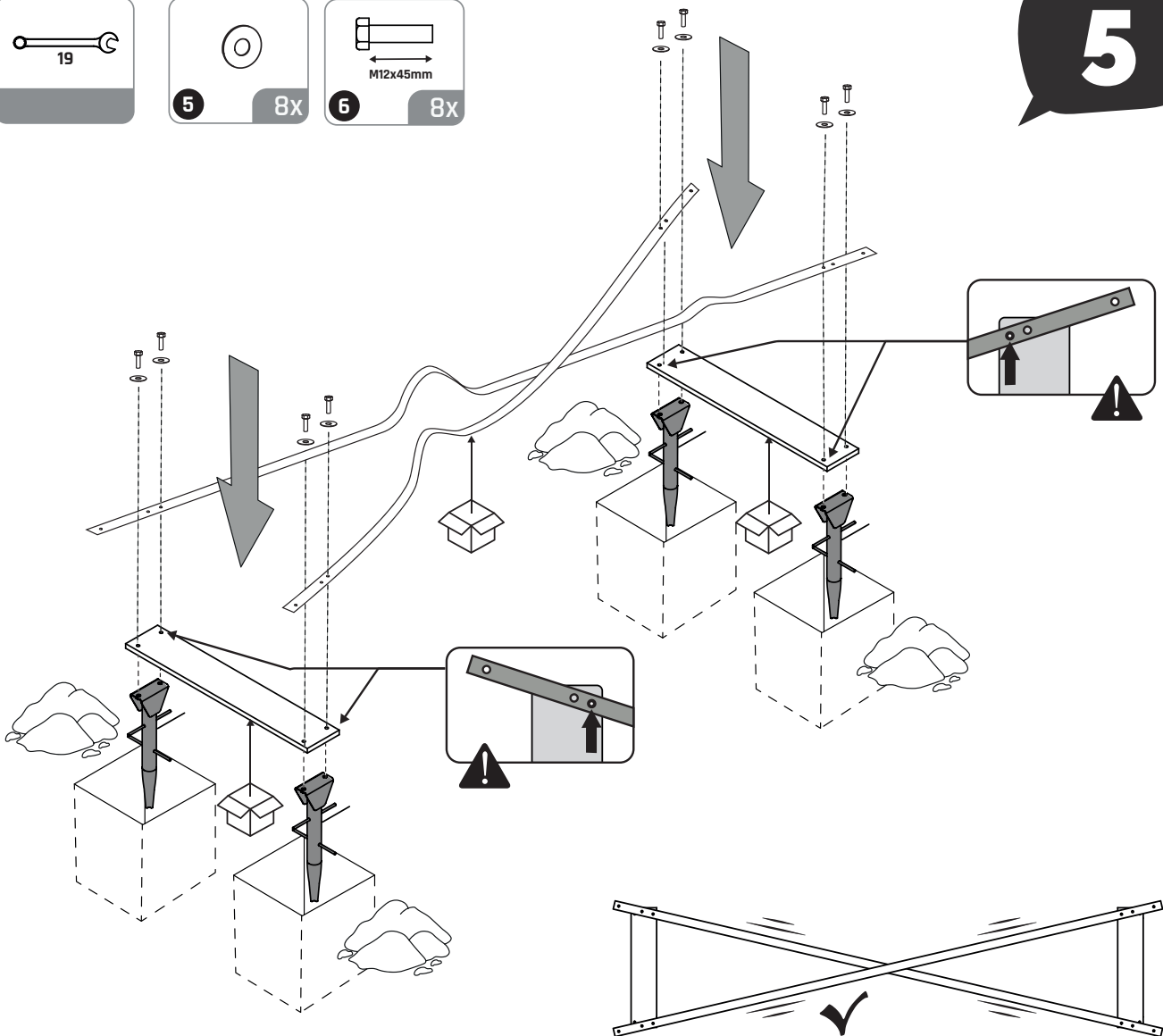
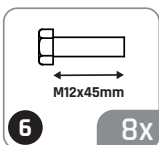
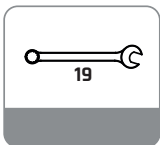
3



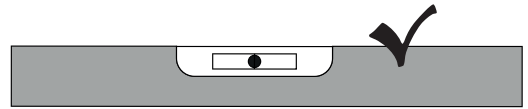
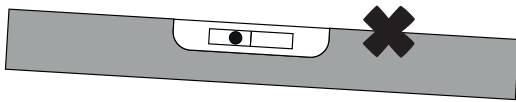
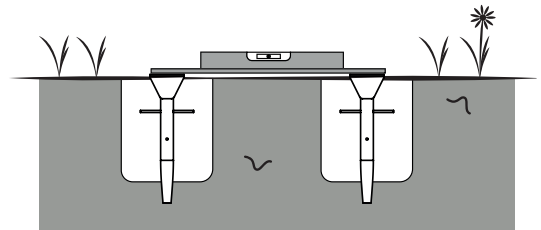
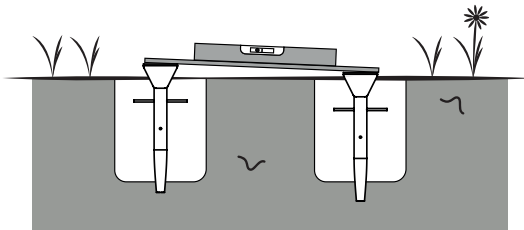
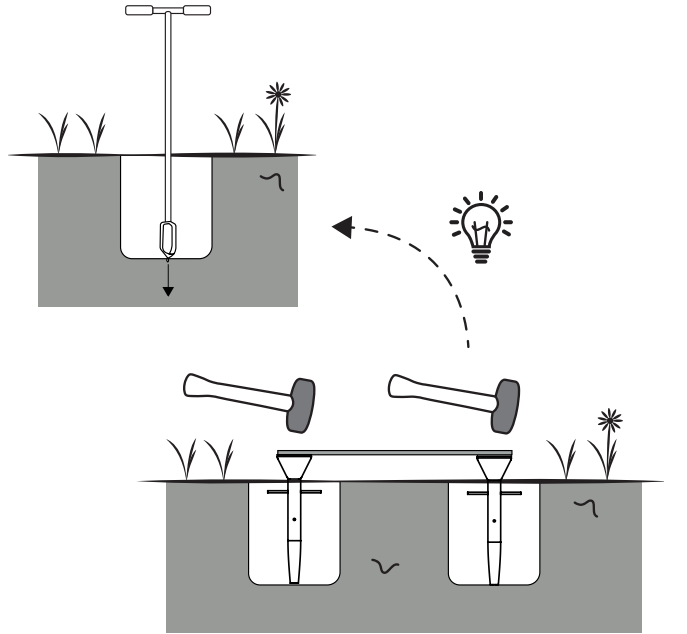
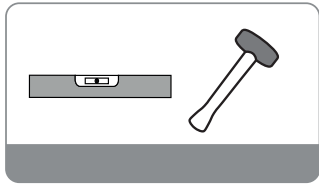
4



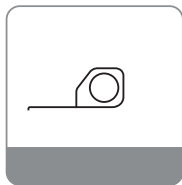
5



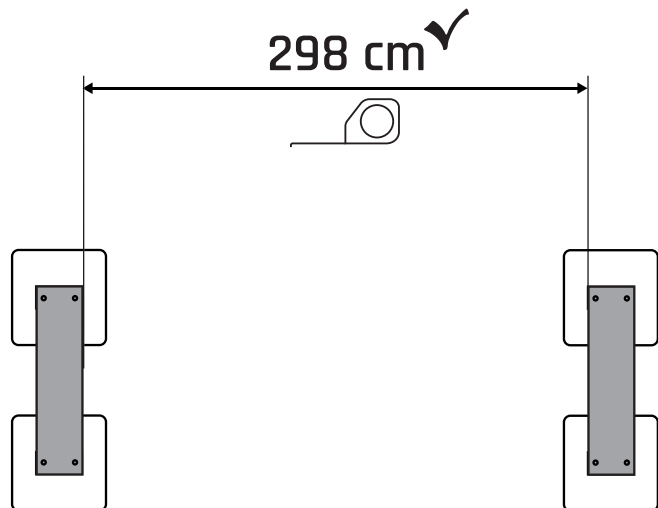
6



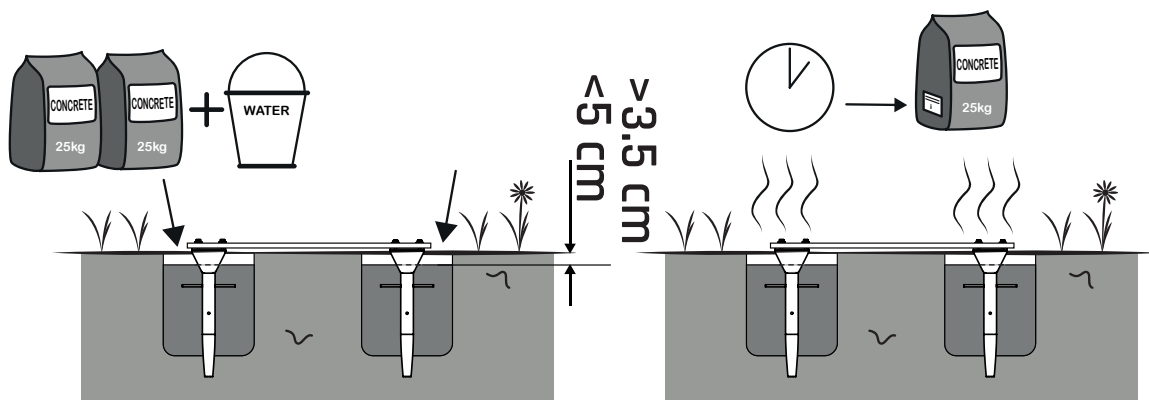
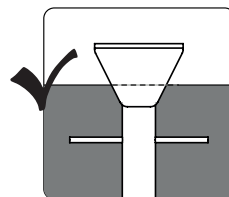
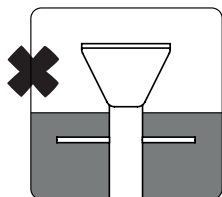
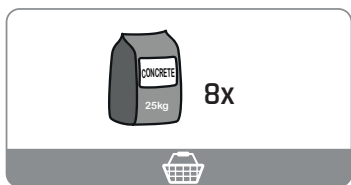
7



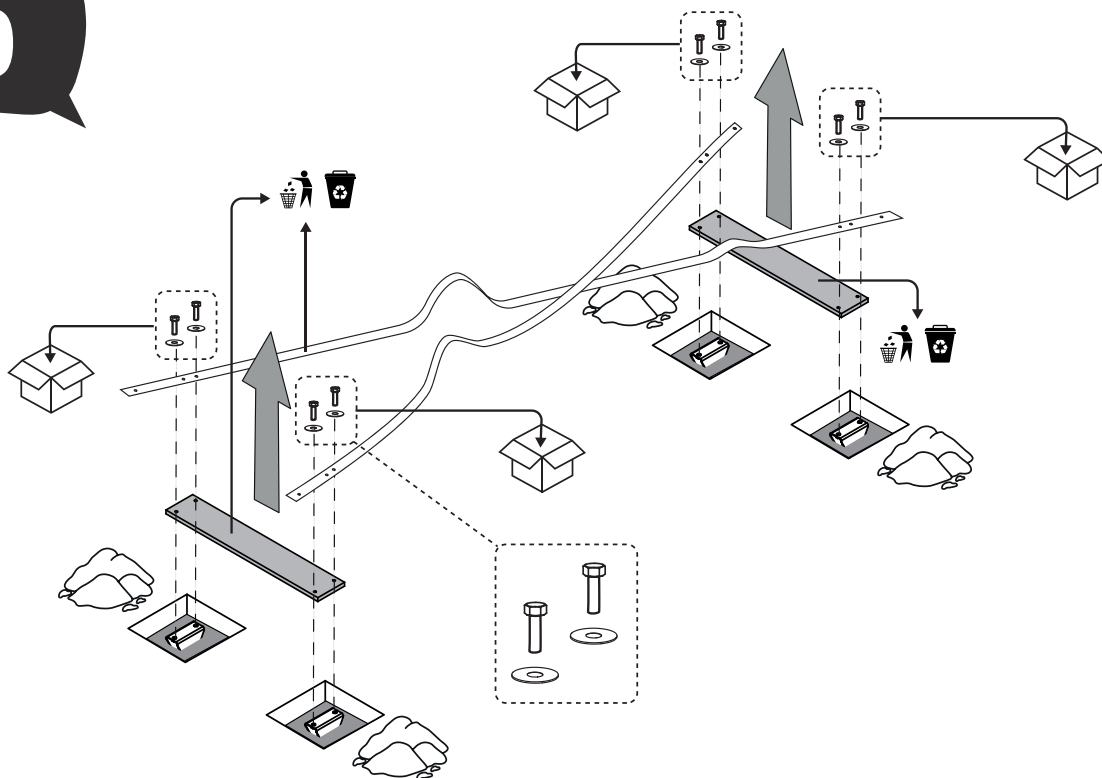
MB 200

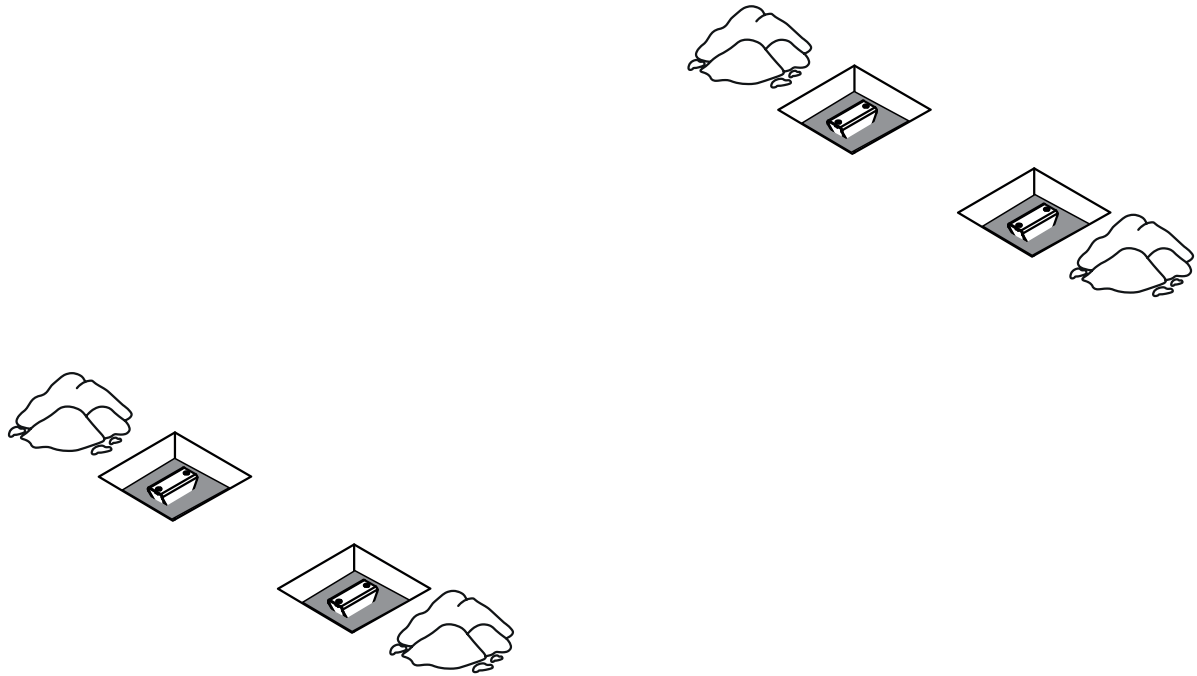


8

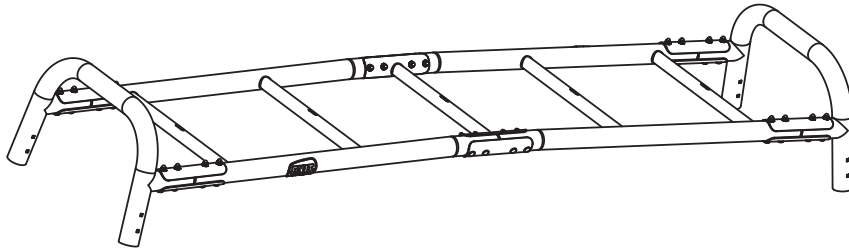


9









1

G	61.82.10.20	2X
B	61.82.10.25	

2

G	61.82.10.10	2X
B	61.82.10.15	

3

	61.80.30.00	6X
--	-------------	----

4

G	61.80.30.10	10X
B	61.80.30.15	

5

G	61.80.10.50	1X *
B	61.80.10.55	

* BOX REFERENCE:	XX.XX.X
PRODUCTION ID:	XXX XXX



6

M8x78mm

M8x78mm	24X
---------	-----

7

M8	24X
----	-----

8

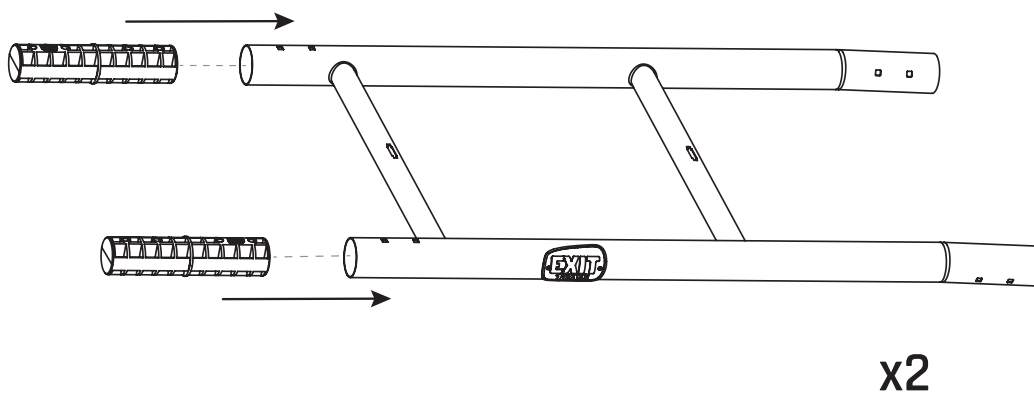
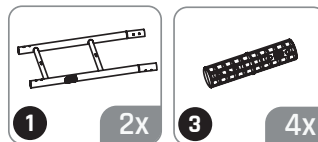
M8	24X
----	-----

G	61.82.40.40	1X
B	61.82.40.45	

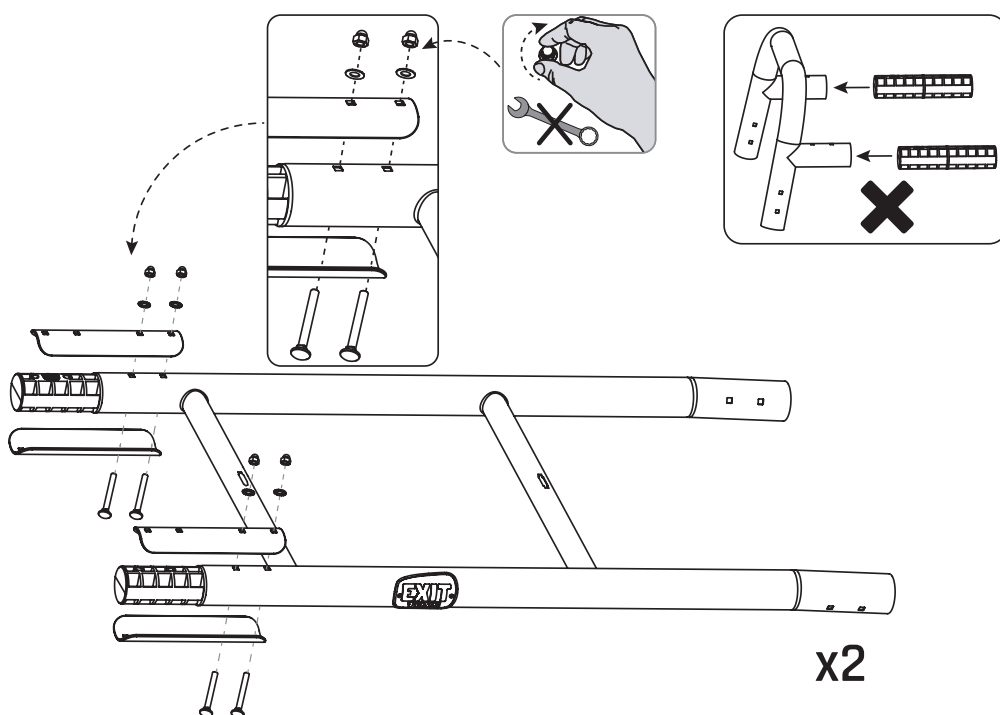
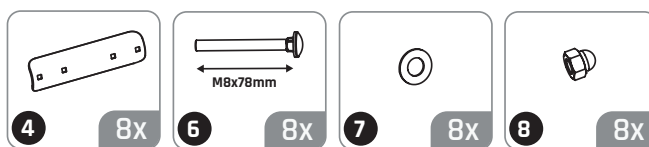
13

NOT INCLUDED

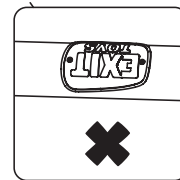
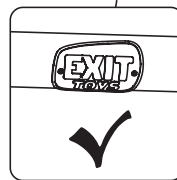
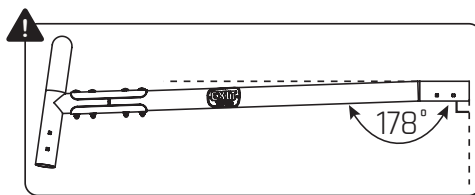
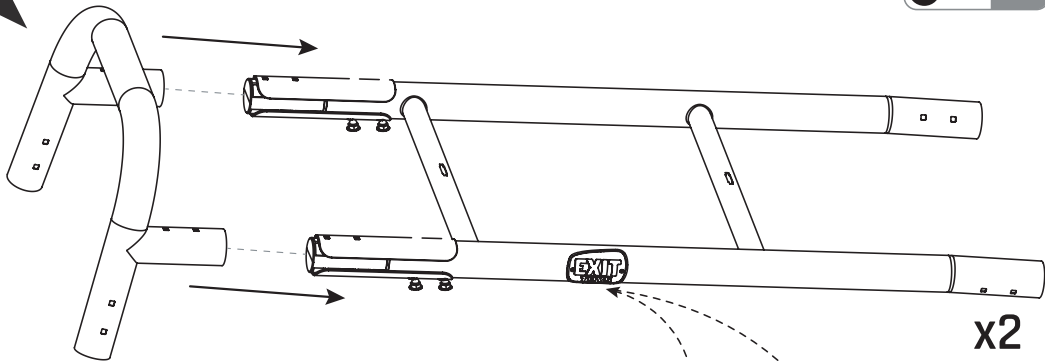
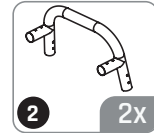
1



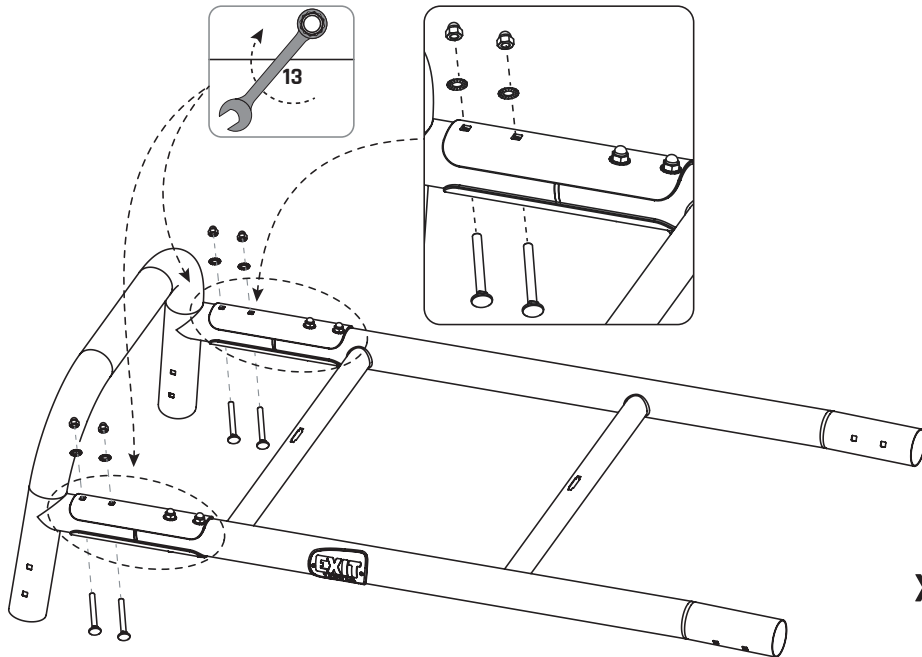
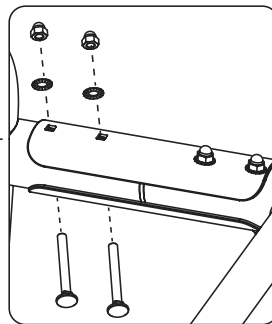
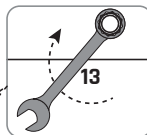
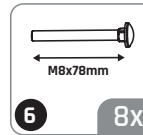
2



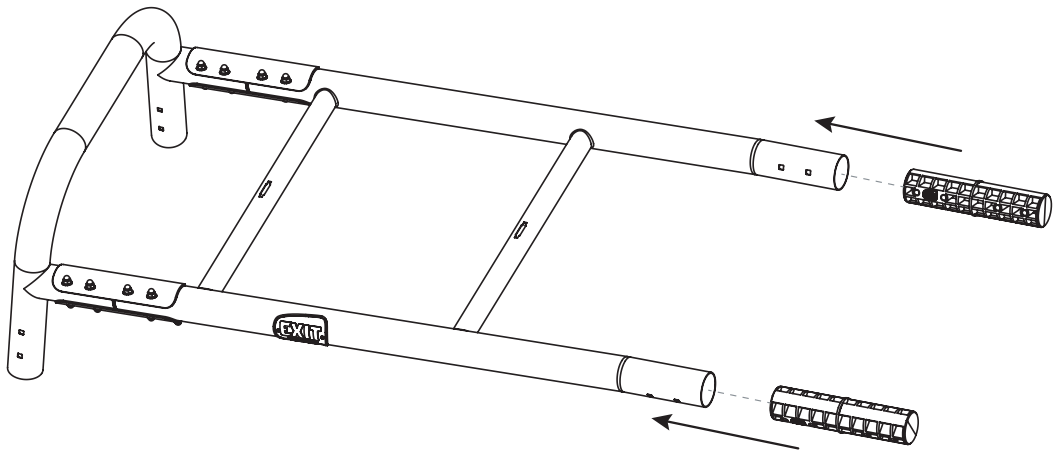
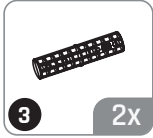
3



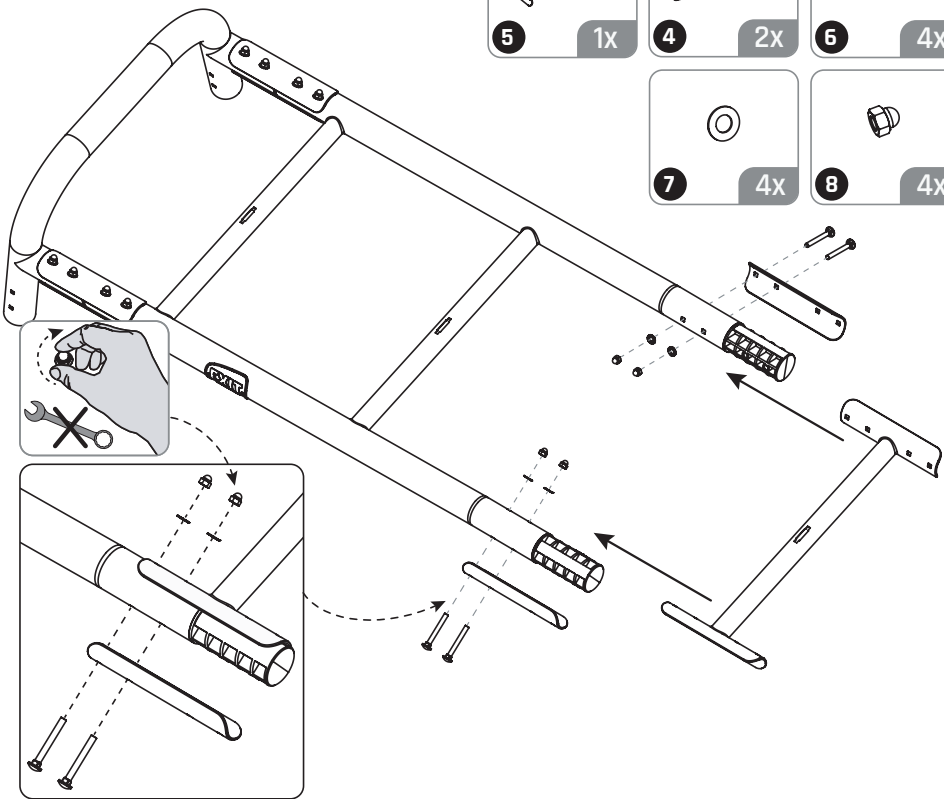
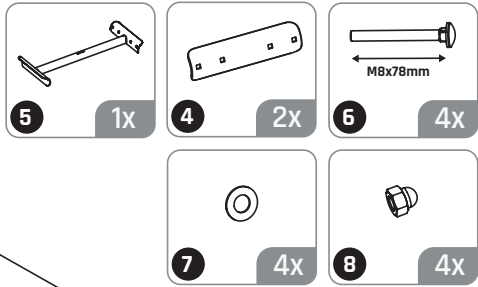
4



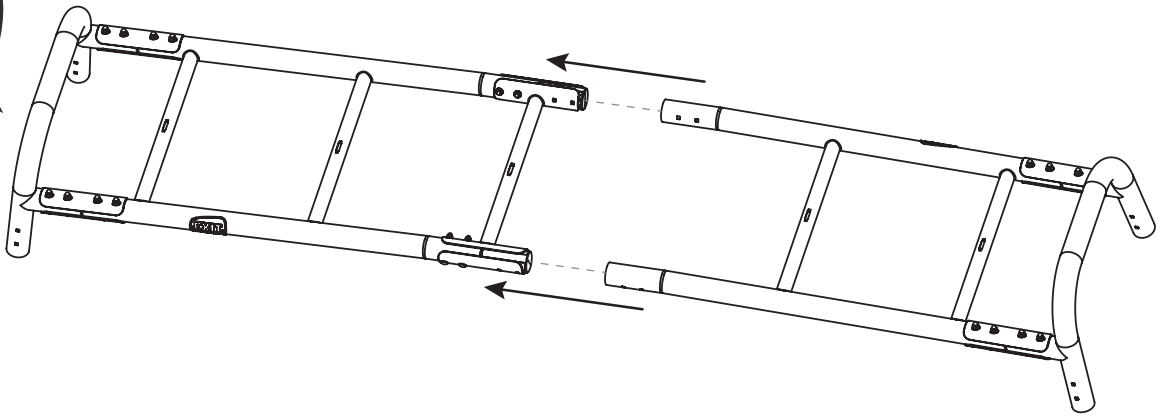
5



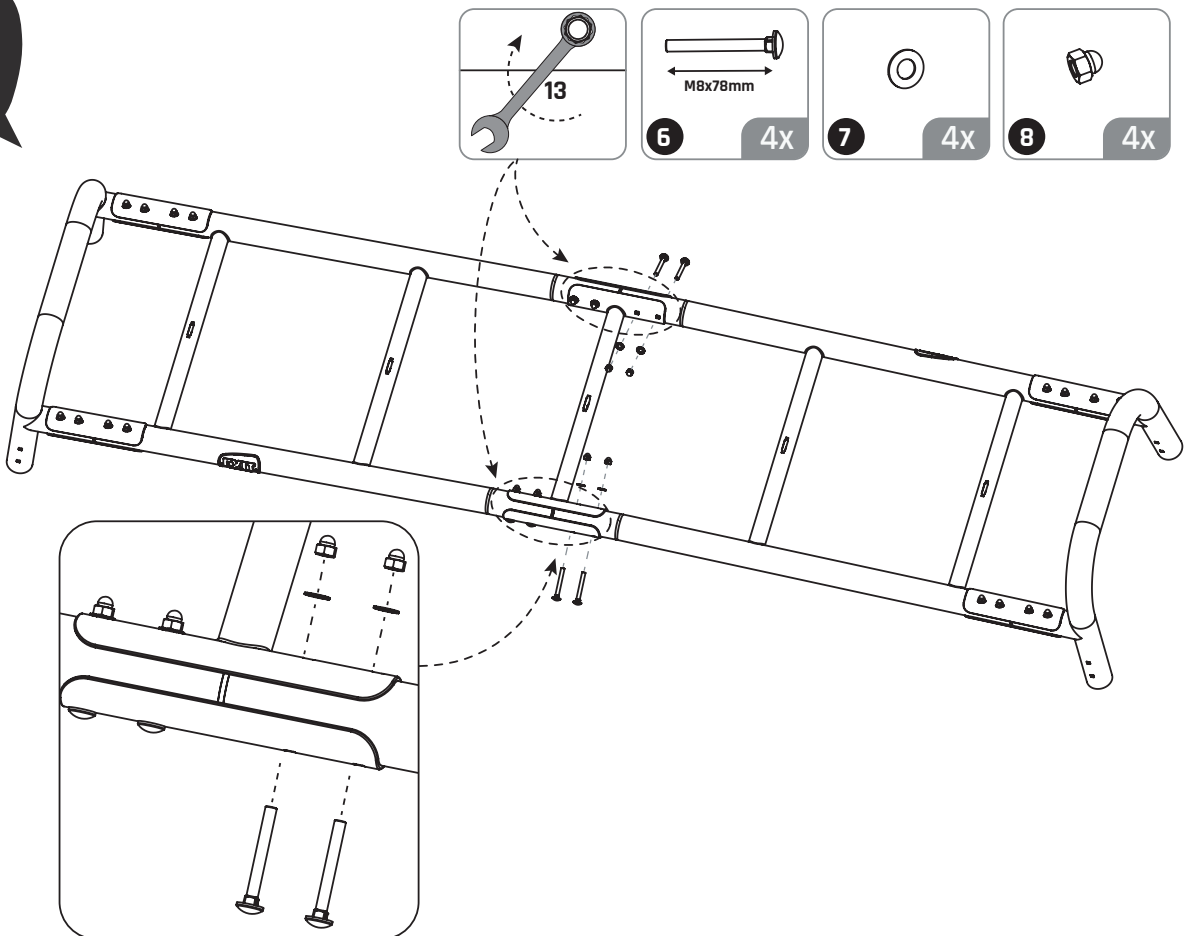
6



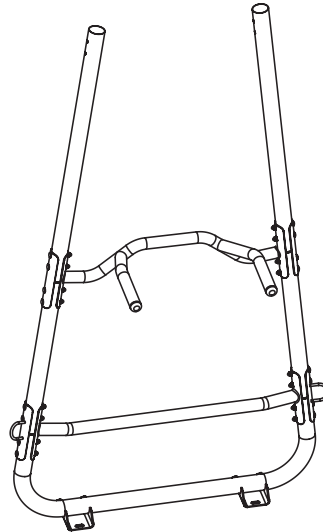
7



8







1



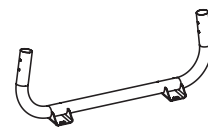
61.80.30.00	4X
-------------	----

2



G	61.80.30.10	2X
B	61.80.30.15	

3



G	61.82.10.30	1X *
B	61.82.10.35	

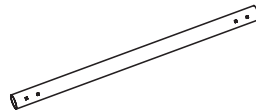
4



645mm

G	61.82.20.65	2X
B	61.82.25.65	

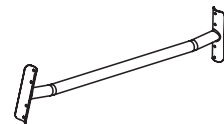
5



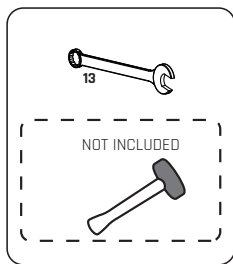
1060mm

G	61.82.21.06	2X
B	61.82.25.06	

9



G	54.90.13.00	1X
B	54.90.13.05	



10



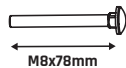
G	54.90.16.00	2X
B	54.90.16.05	

11



G	54.90.12.00	1X
B	54.90.12.05	

6



M8x78mm	16X
---------	-----

7



M8	16X
----	-----

8



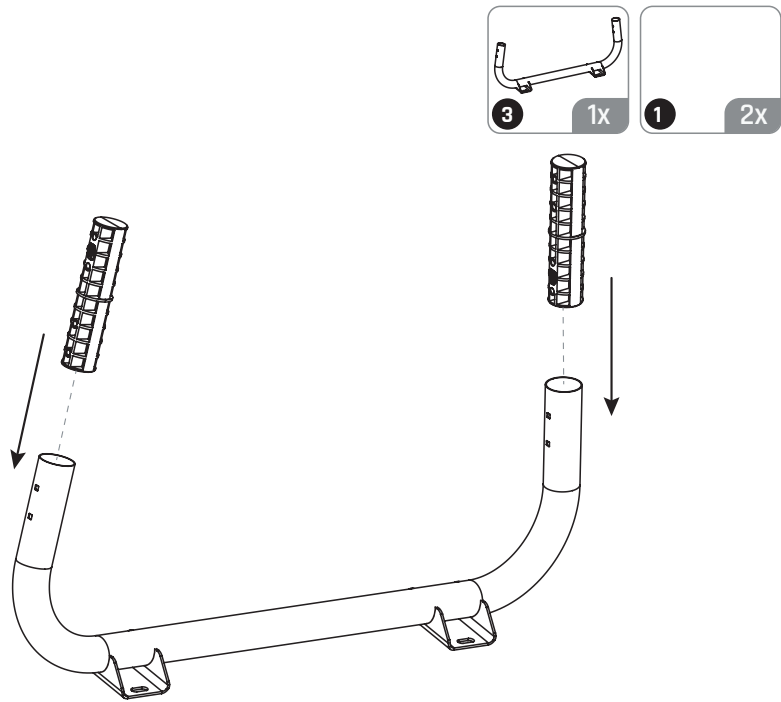
M8	16X
----	-----

G	61.82.40.40	1X
B	61.82.40.45	

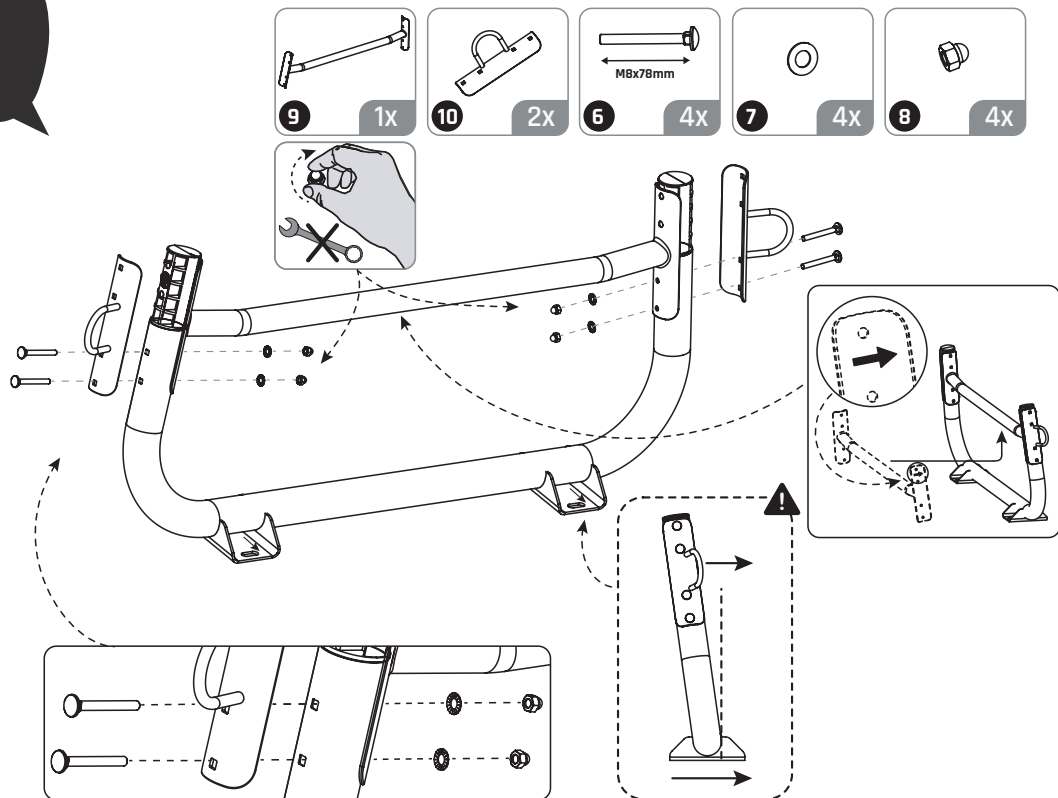
* BOX REFERENCE:	XX.XX
PRODUCTION ID:	XXX XXX



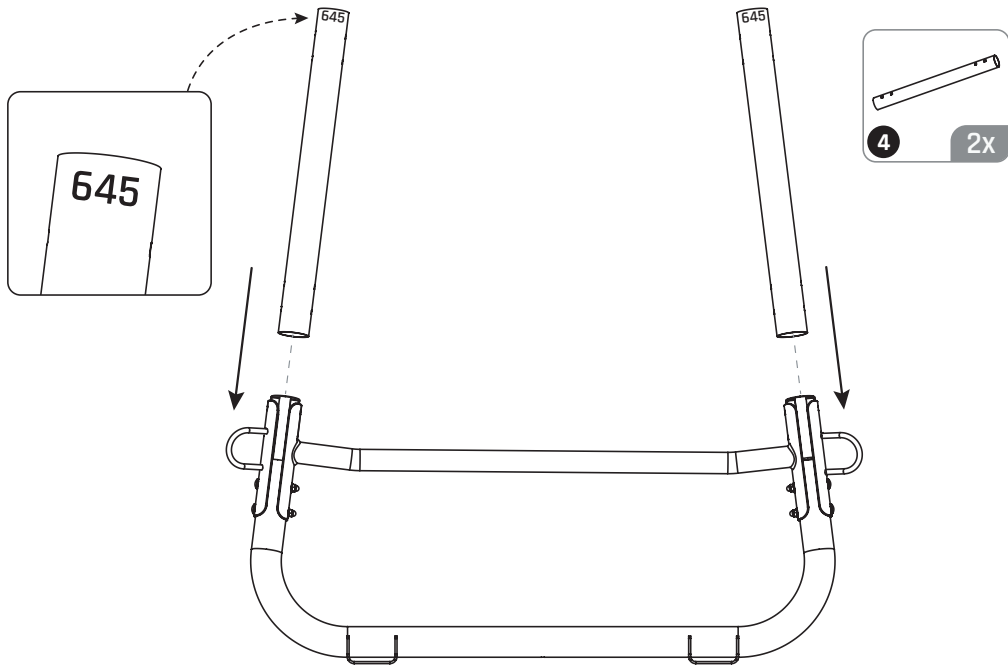
1



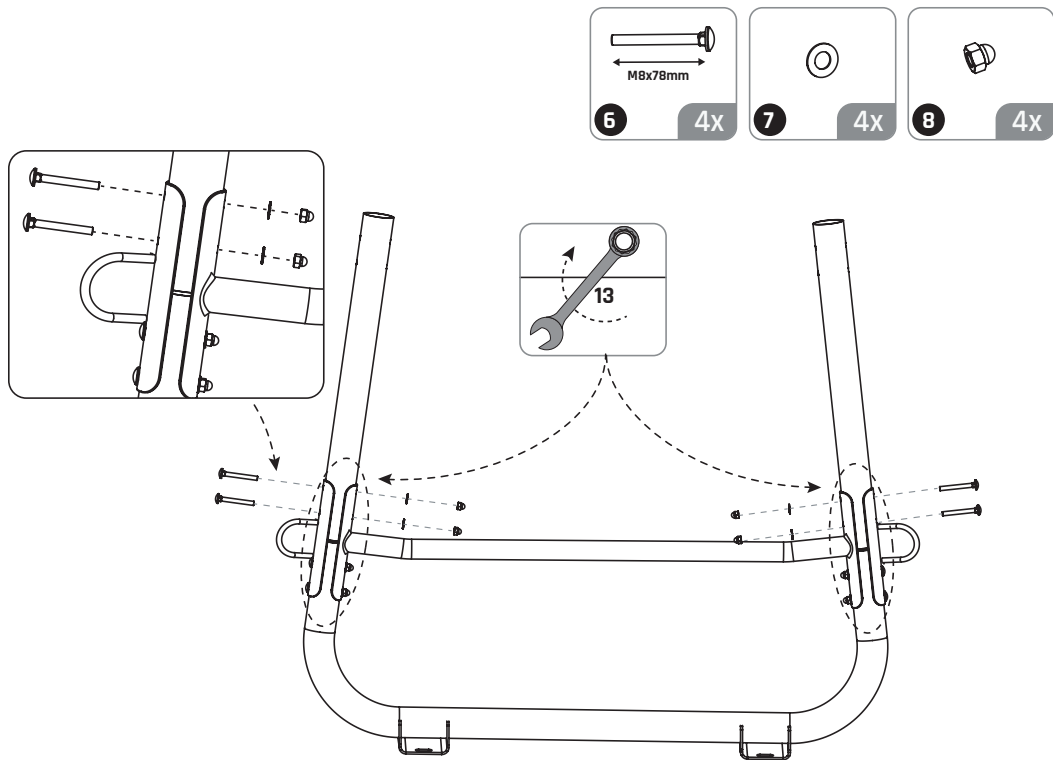
2



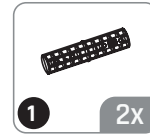
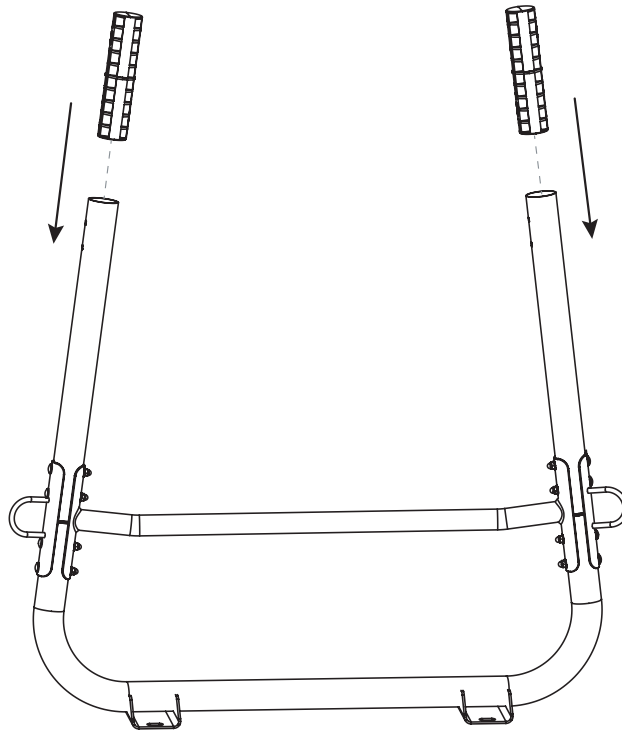
3



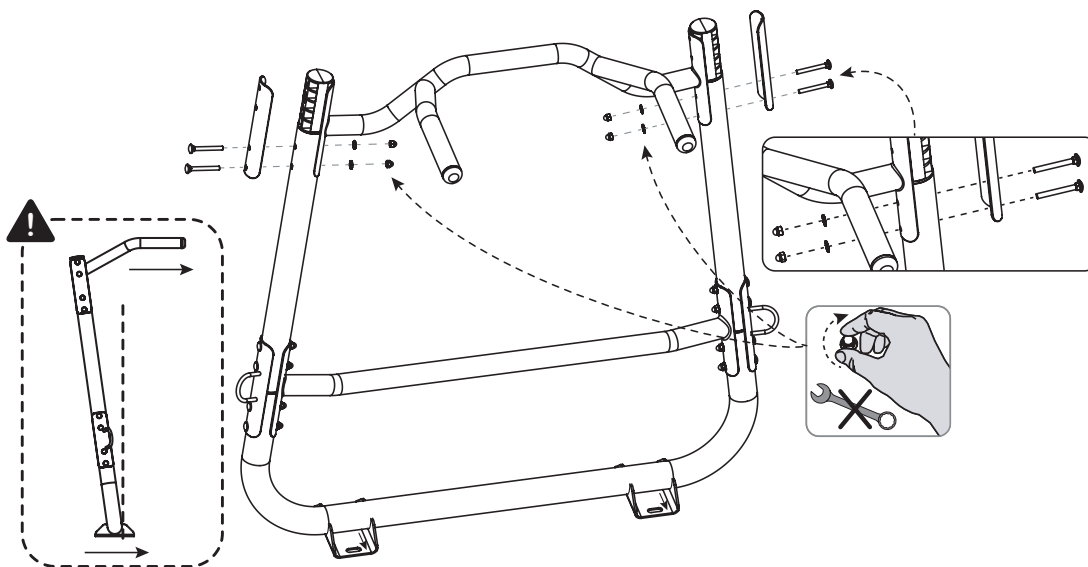
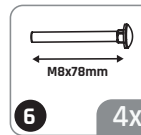
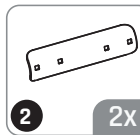
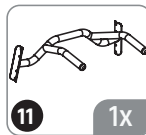
4



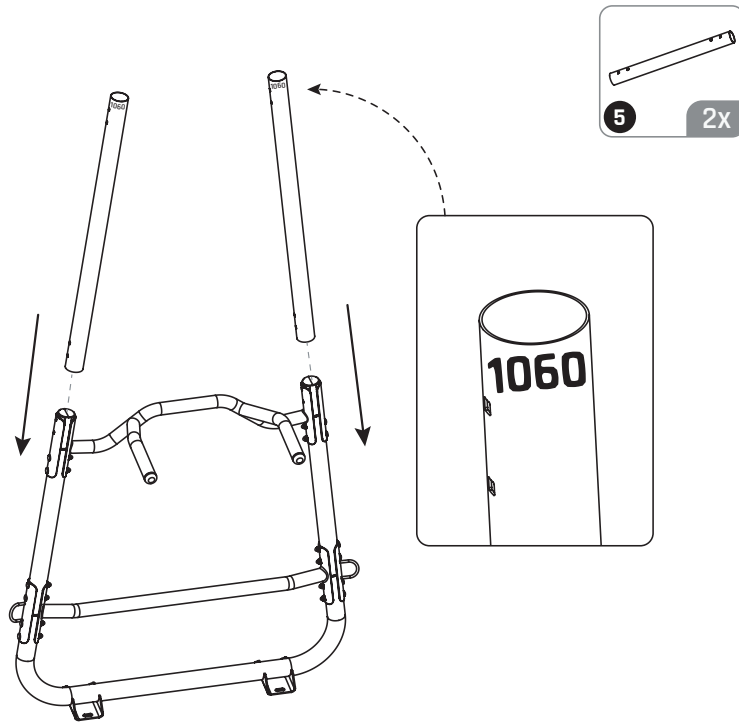
5



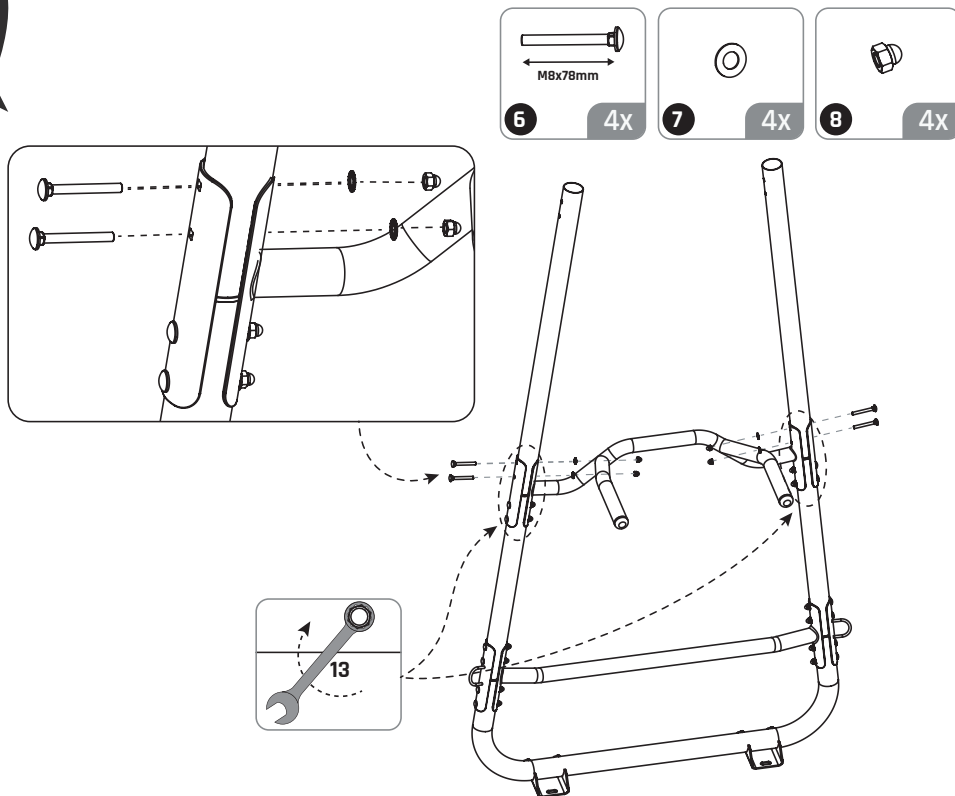
6



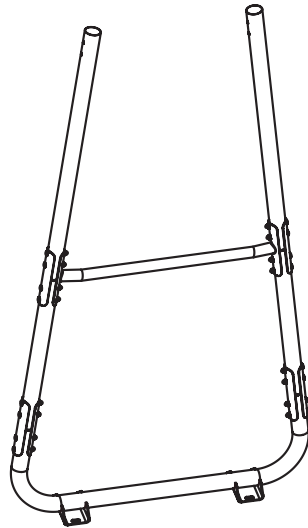
7



8







1



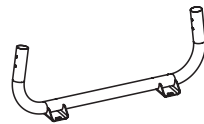
61.80.30.00	4X
-------------	----

2



G 61.80.30.10	6X
B 61.80.30.15	

3



G 61.82.10.30	1X *
B 61.82.10.35	

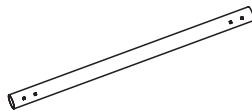
4



645mm

G 61.82.20.65	2X
B 61.82.25.65	

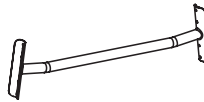
5



1060mm

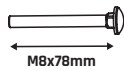
G 61.82.21.06	2X
B 61.82.25.06	

9



G 54.90.17.00	1X
B 54.90.17.05	

6



M8x78mm	16X
---------	-----

7



M8	16X
----	-----

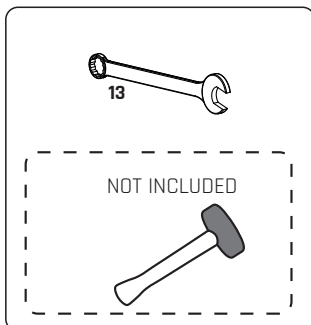
8



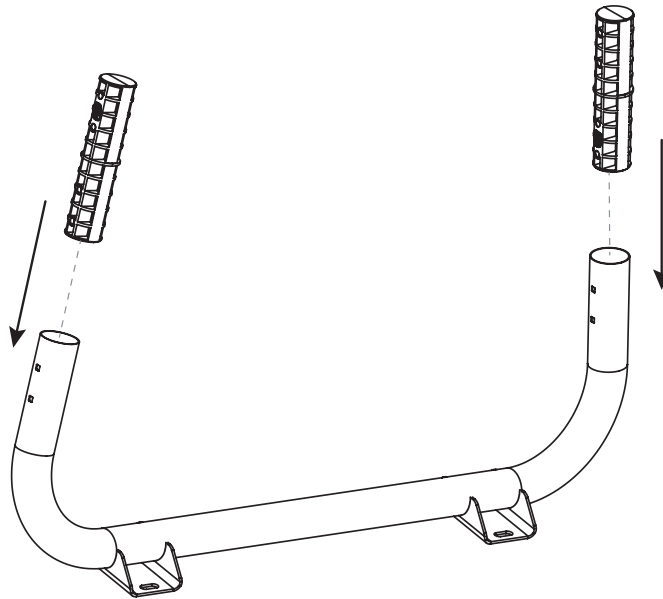
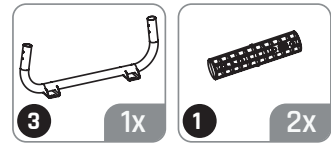
M8	16X
----	-----

G 61.82.40.40	1X
B 61.82.40.45	

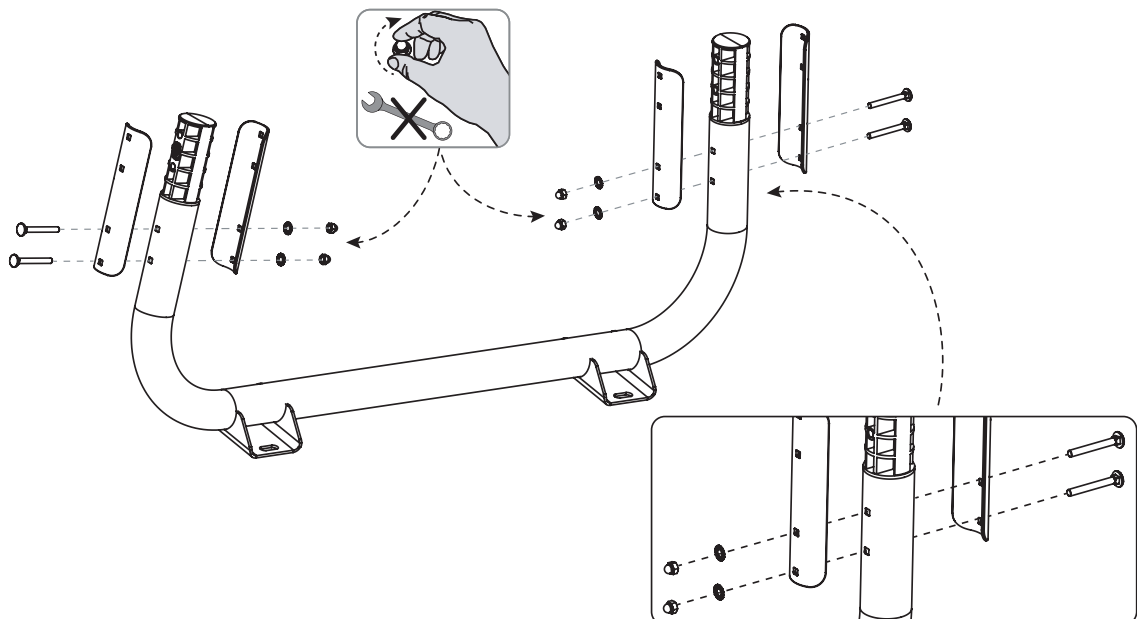
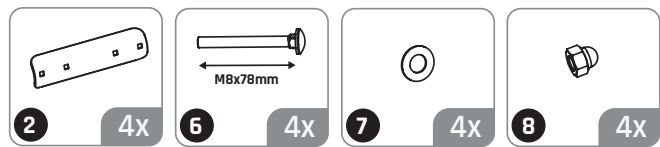
* BOX REFERENCE:	XX.XX.X
PRODUCTION ID:	xxx XXX



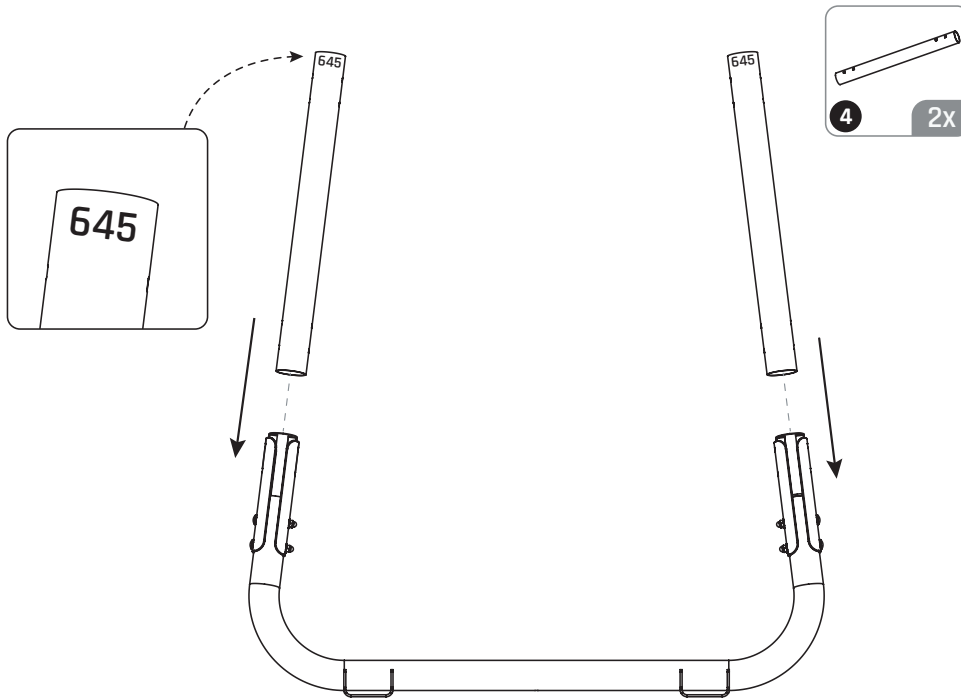
1



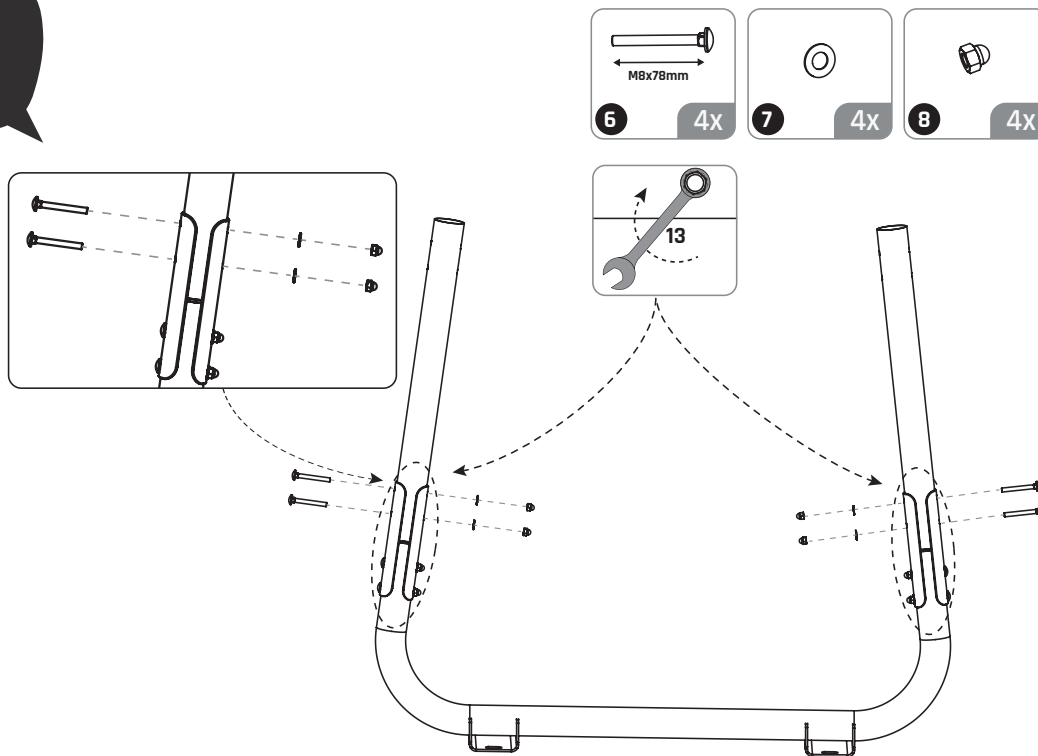
2



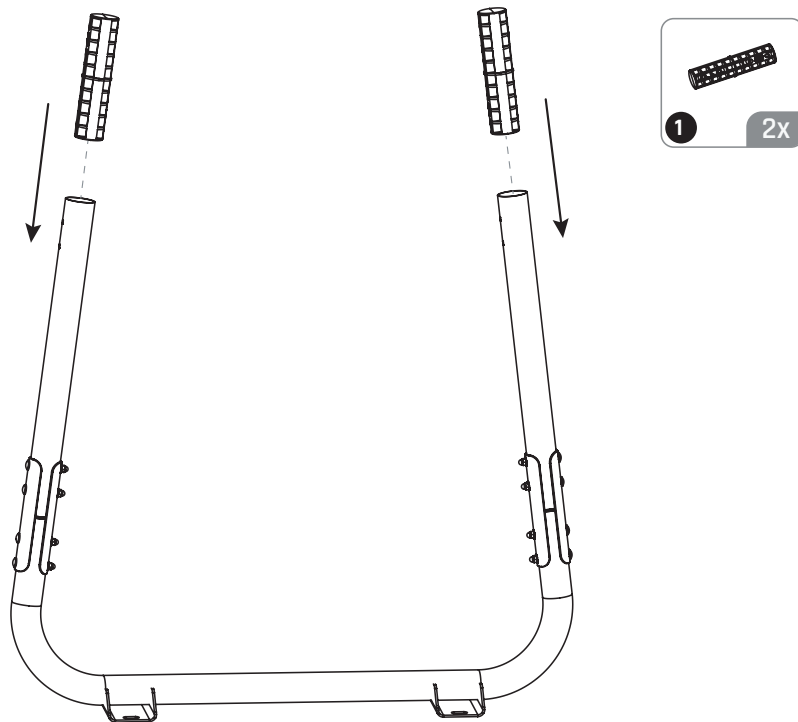
3



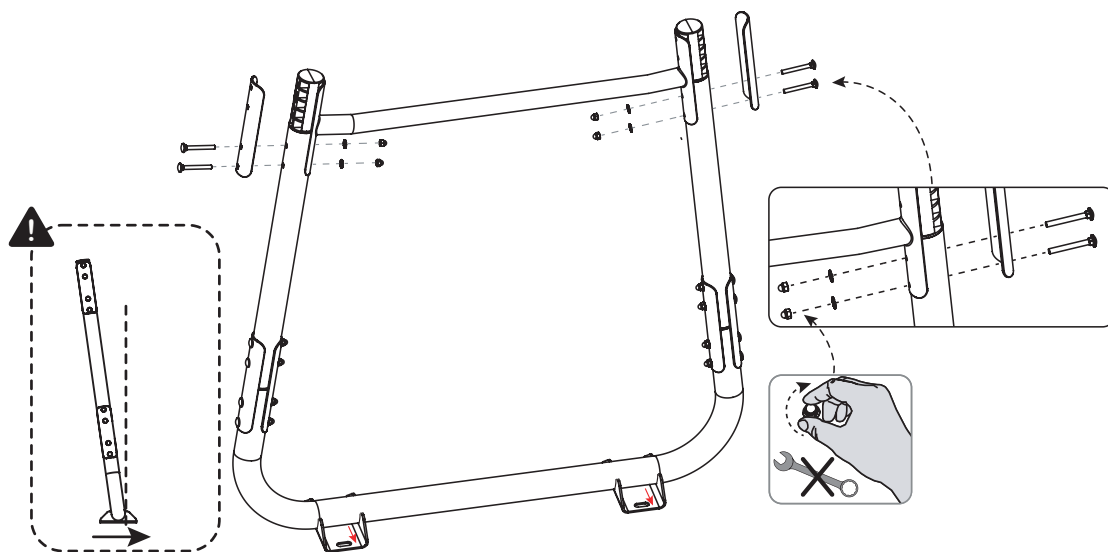
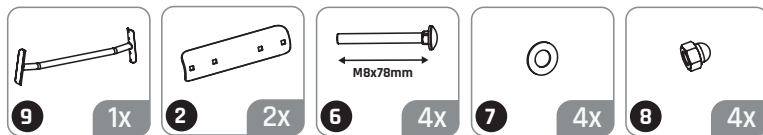
4



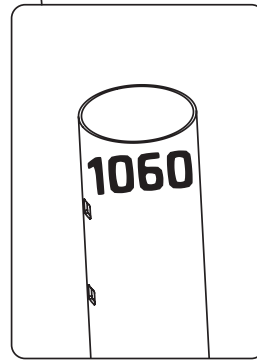
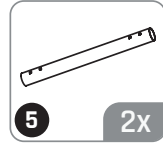
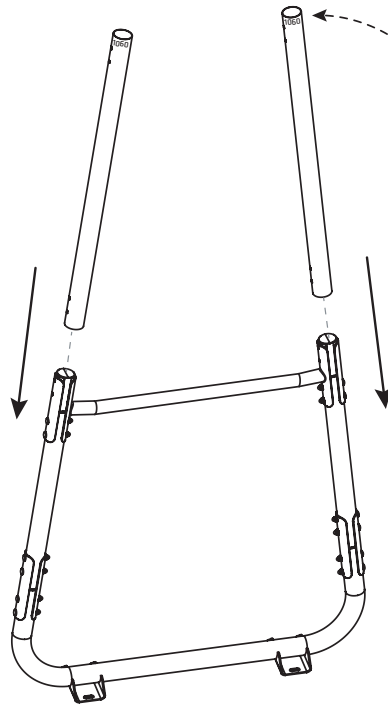
5



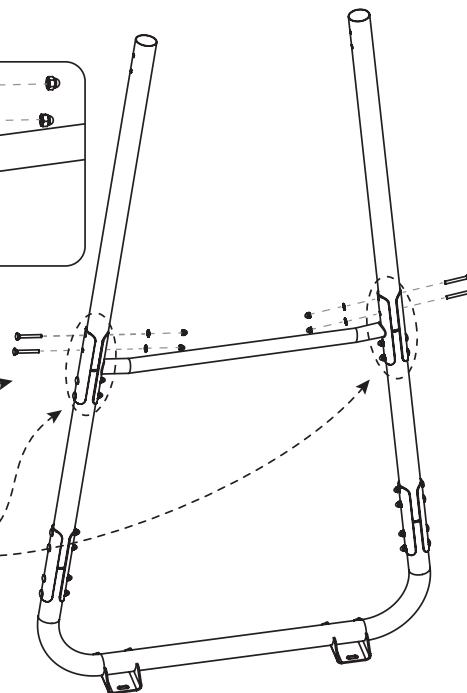
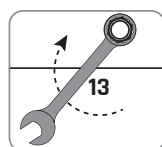
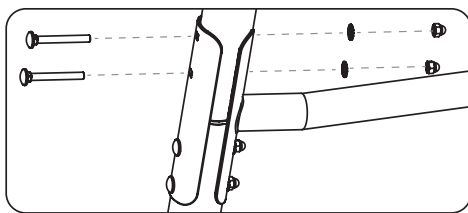
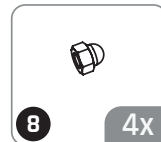
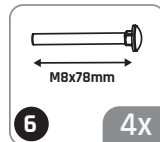
6



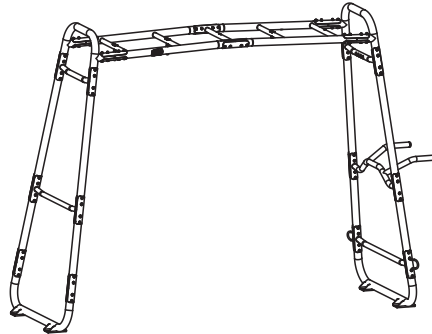
7



8







1



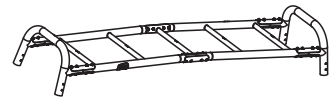
1X

2



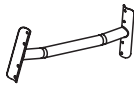
1X

3



1X

4



G	61.82.10.40	2X
B	61.82.10.45	

5



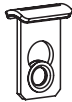
G	61.80.30.10	4X *
B	61.80.30.15	

6



61.80.30.00	4X
-------------	----

7

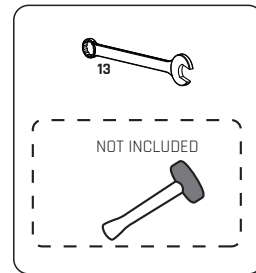


61.80.30.40	3X
-------------	----

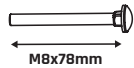
8



61.80.30.50	3X
-------------	----



9



M8x78mm	16X
---------	-----

10



M8	16X
----	-----

11



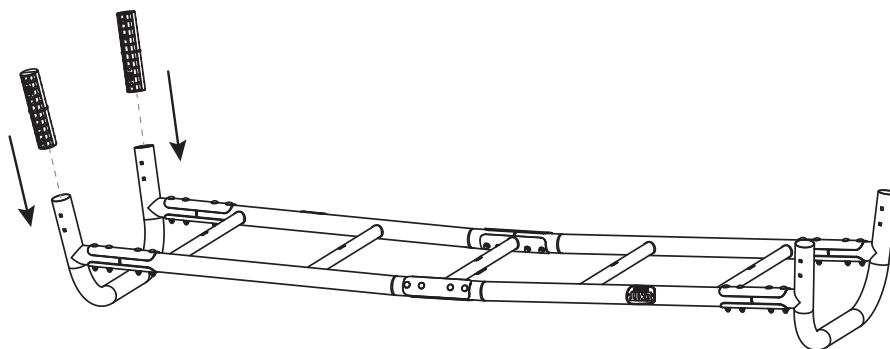
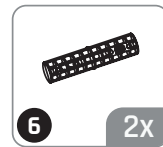
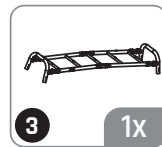
M8	16X
----	-----

G	61.82.40.40	1X
B	61.82.40.45	

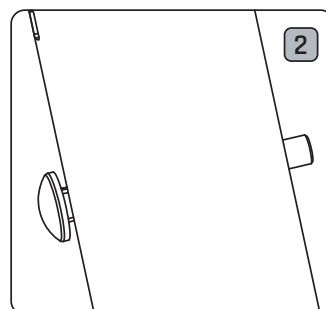
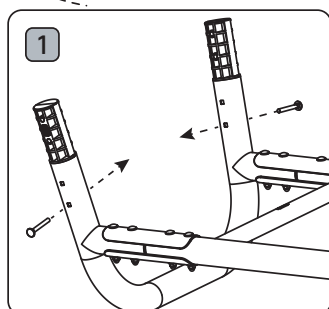
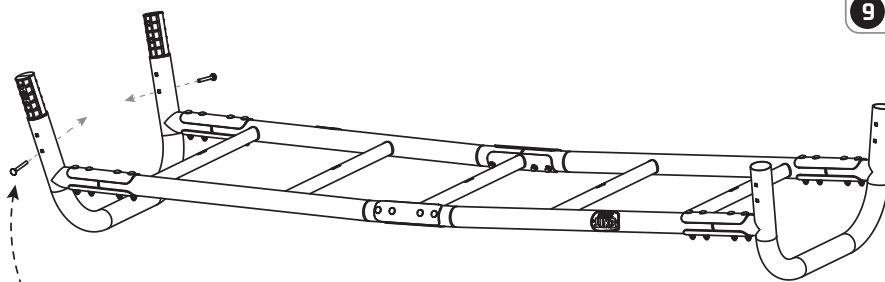
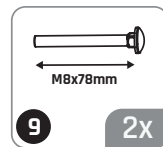
BOX REFERENCE:	XX.XX
PRODUCTION ID:	XXX XXX



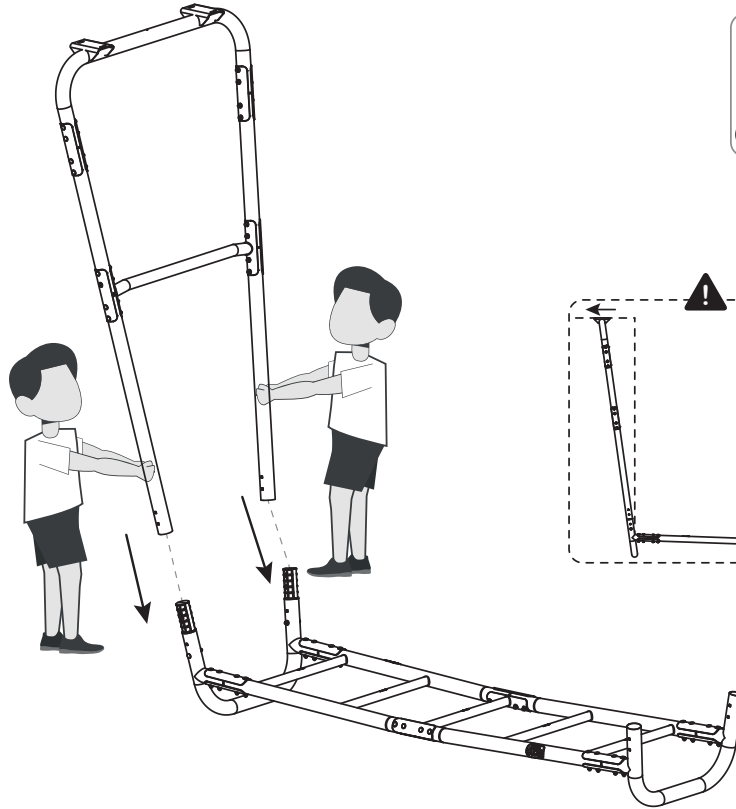
1



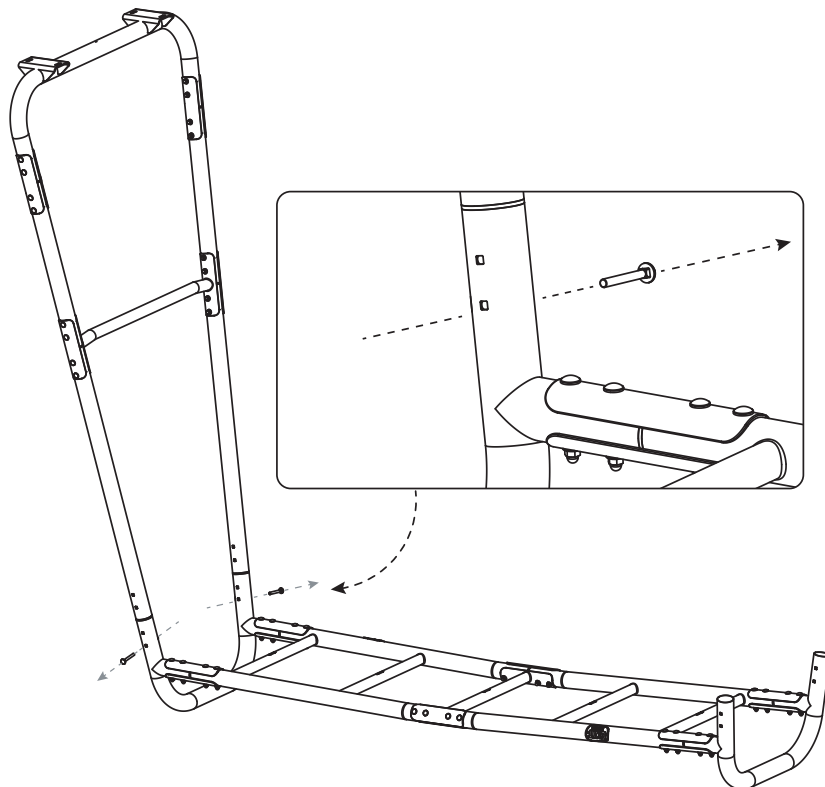
2




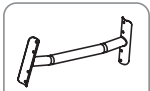
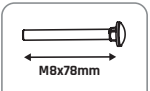


3

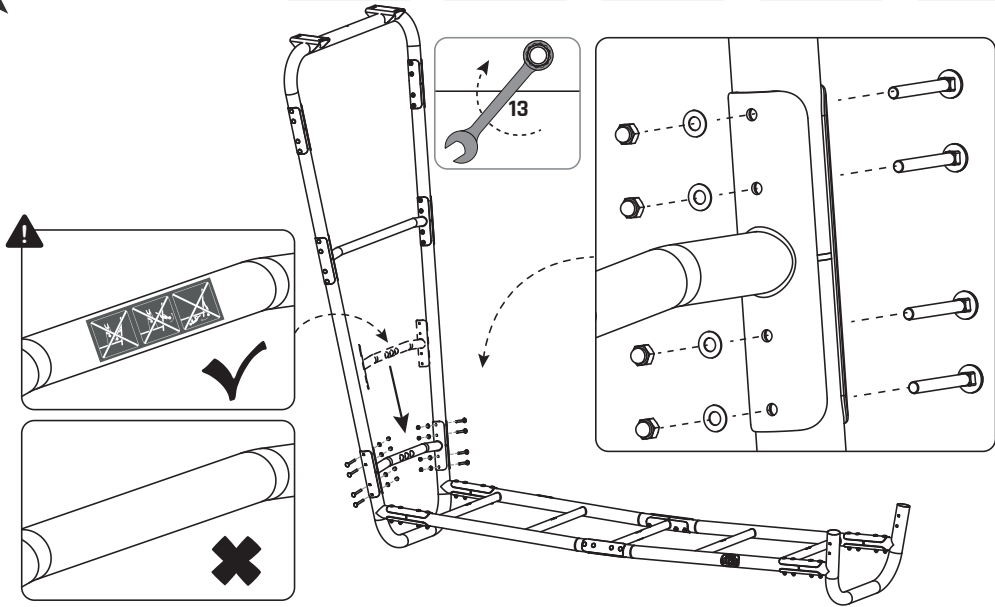


4




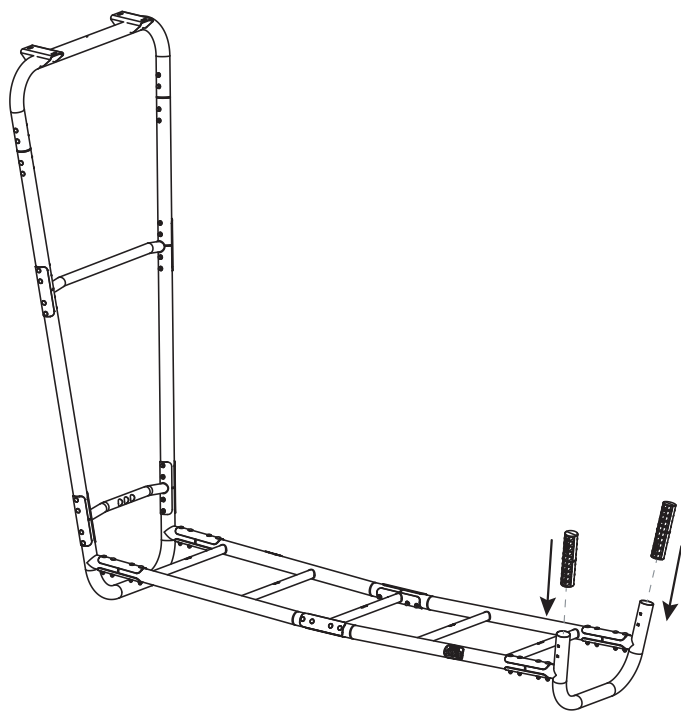
5

- 
5 2x
- 
4 1x
- 
9 8x
- 
10 8x
- 
11 8x

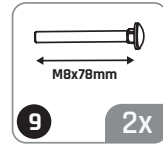
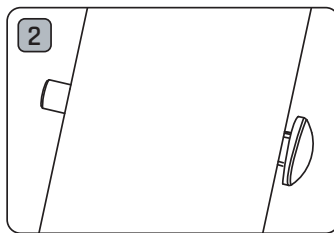
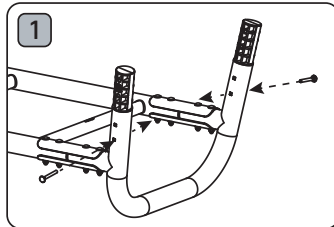
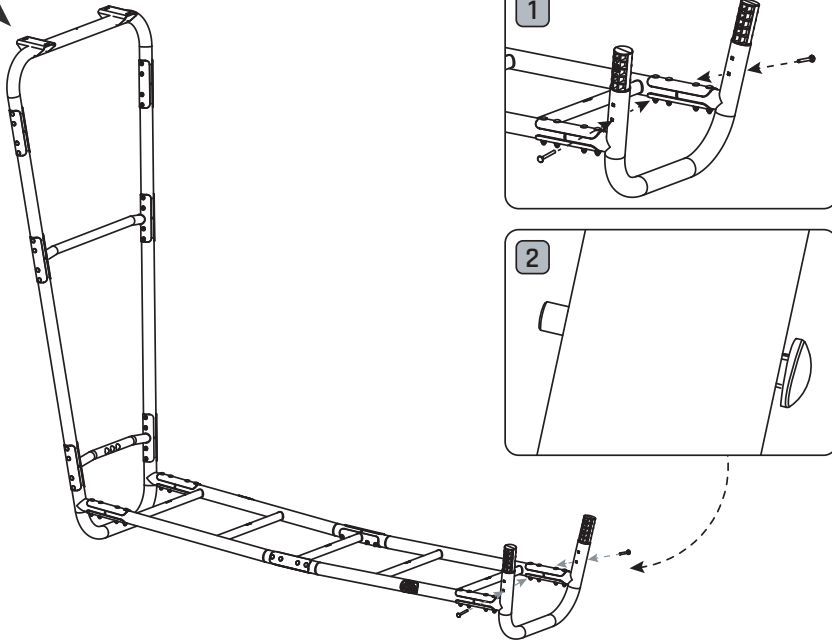


6

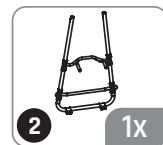
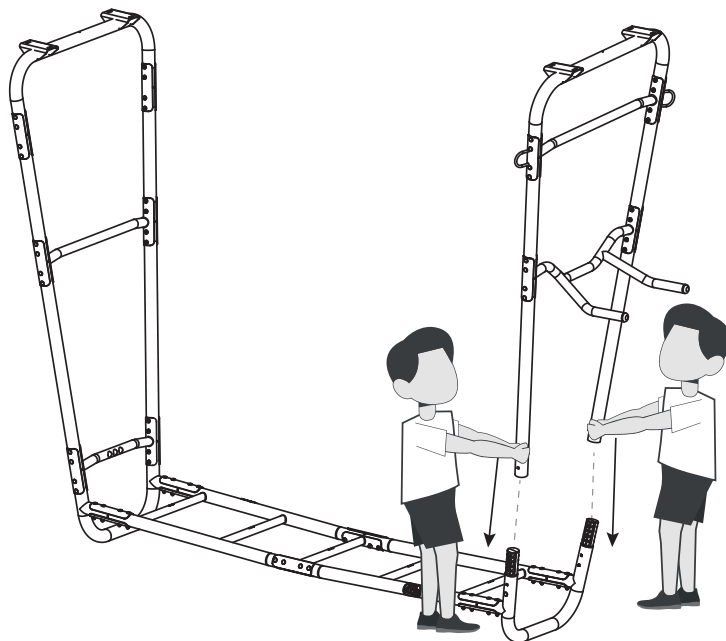
- 
6 2x



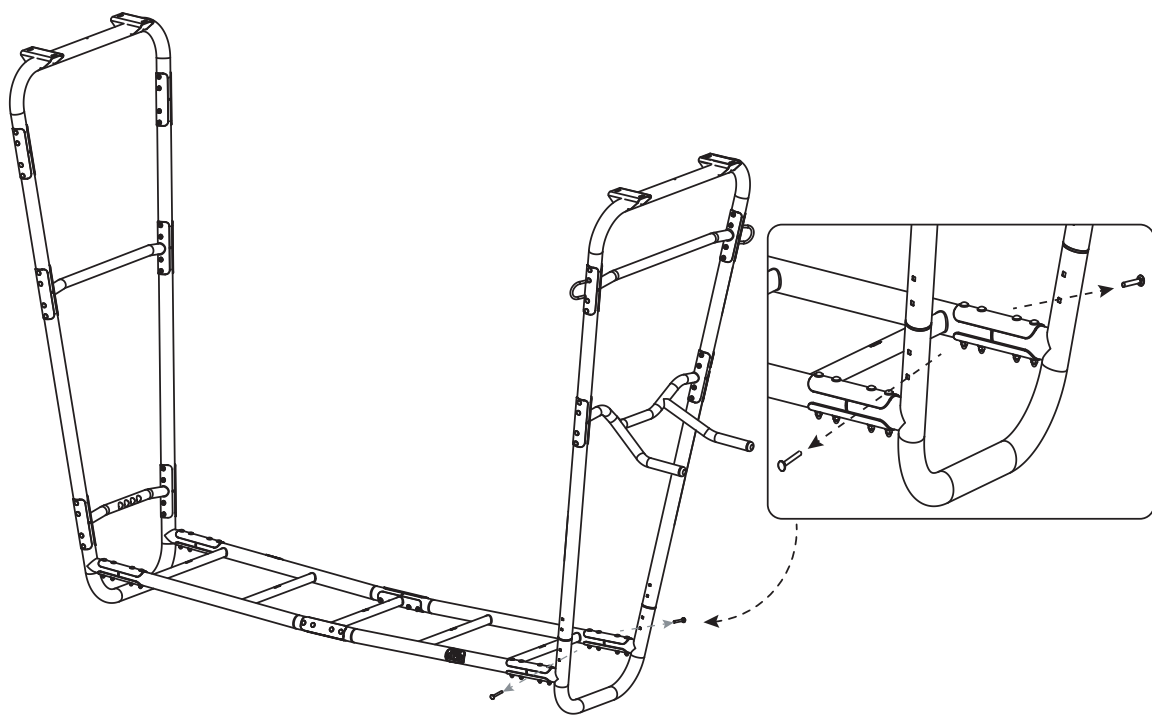
7



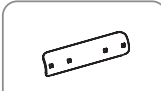

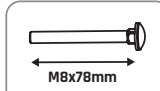


8

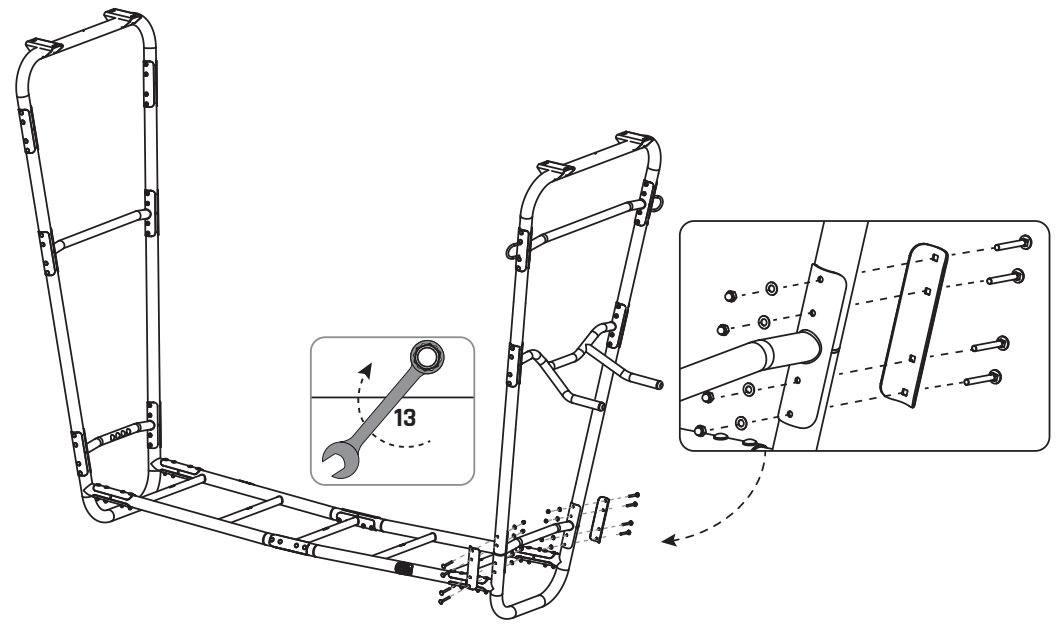


9

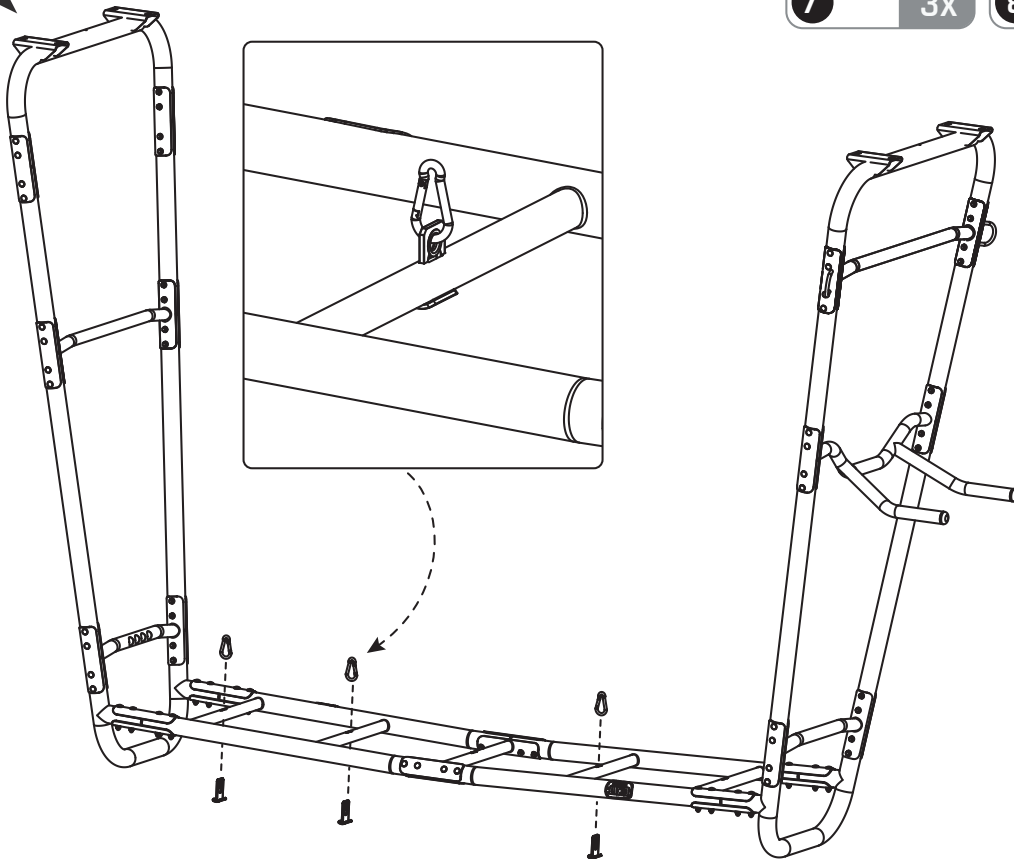
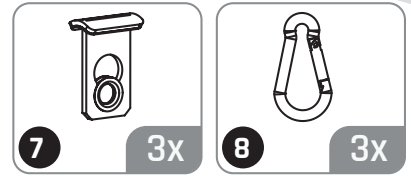


10

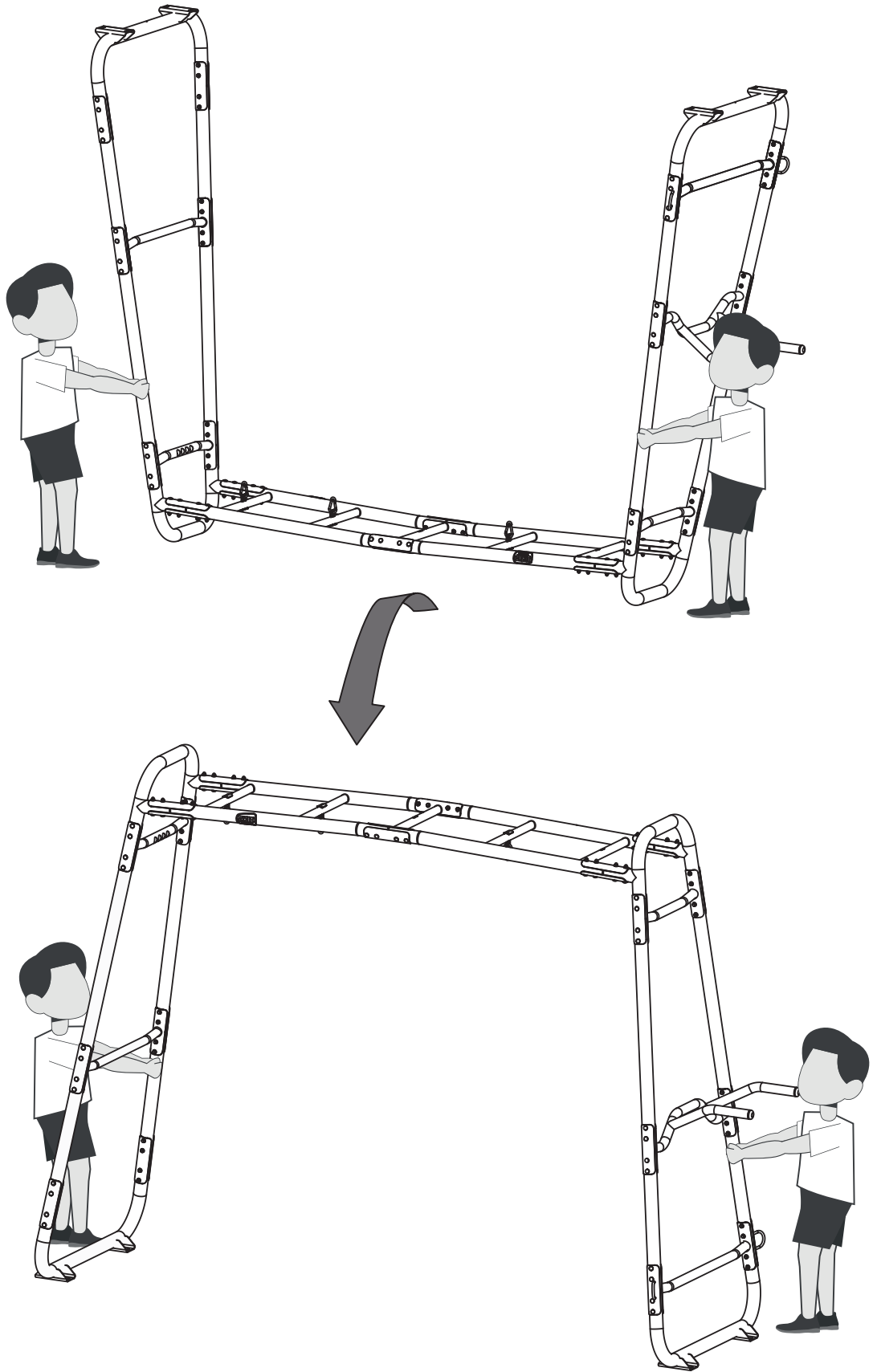
- | | | | | |
|---|---|--|---|---|
|  |  |  |  |  |
| 5 | 4 | 9 | 10 | 11 |
| 2x | 1x | M8x78mm
8x | 8x | 8x |



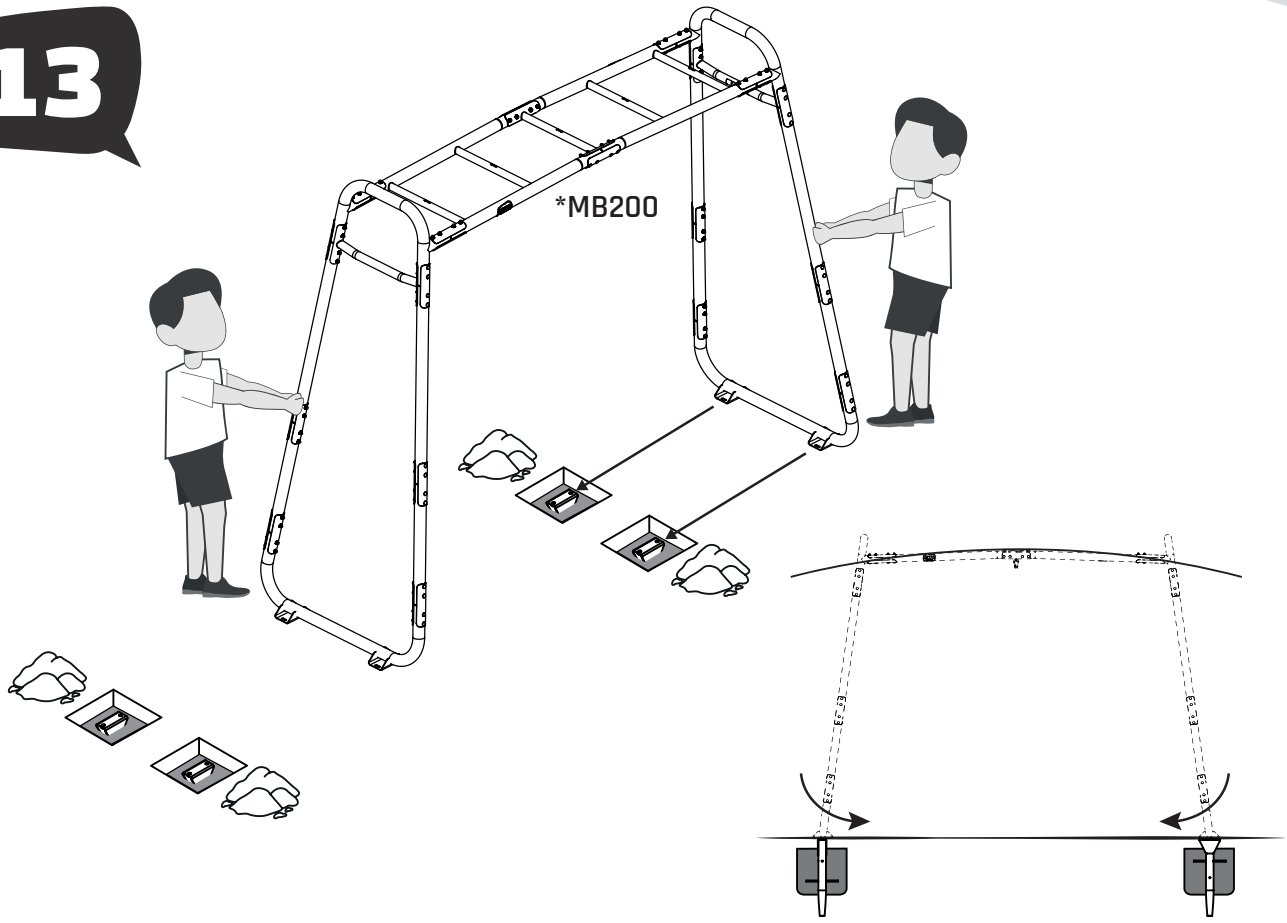
11



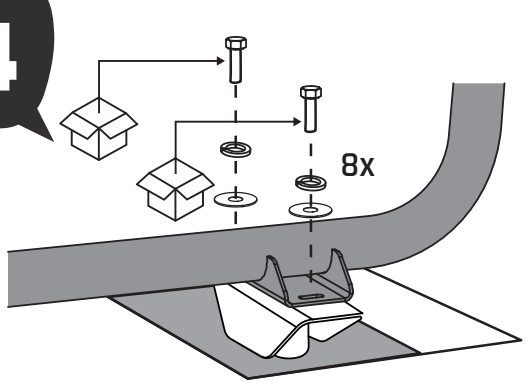
12

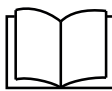

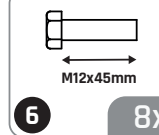



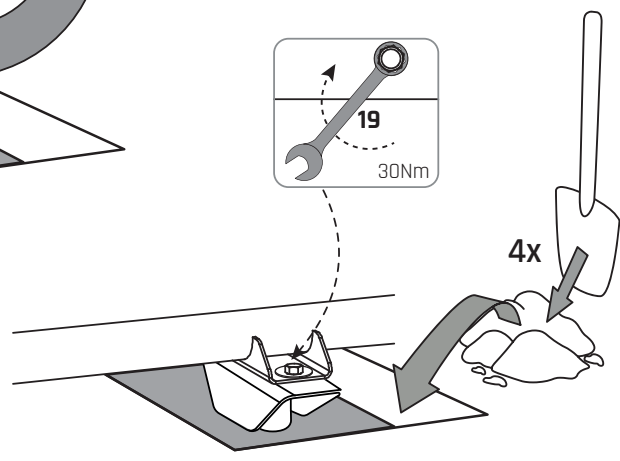
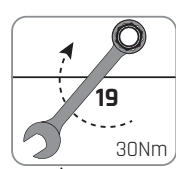
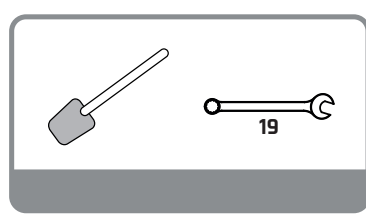
13

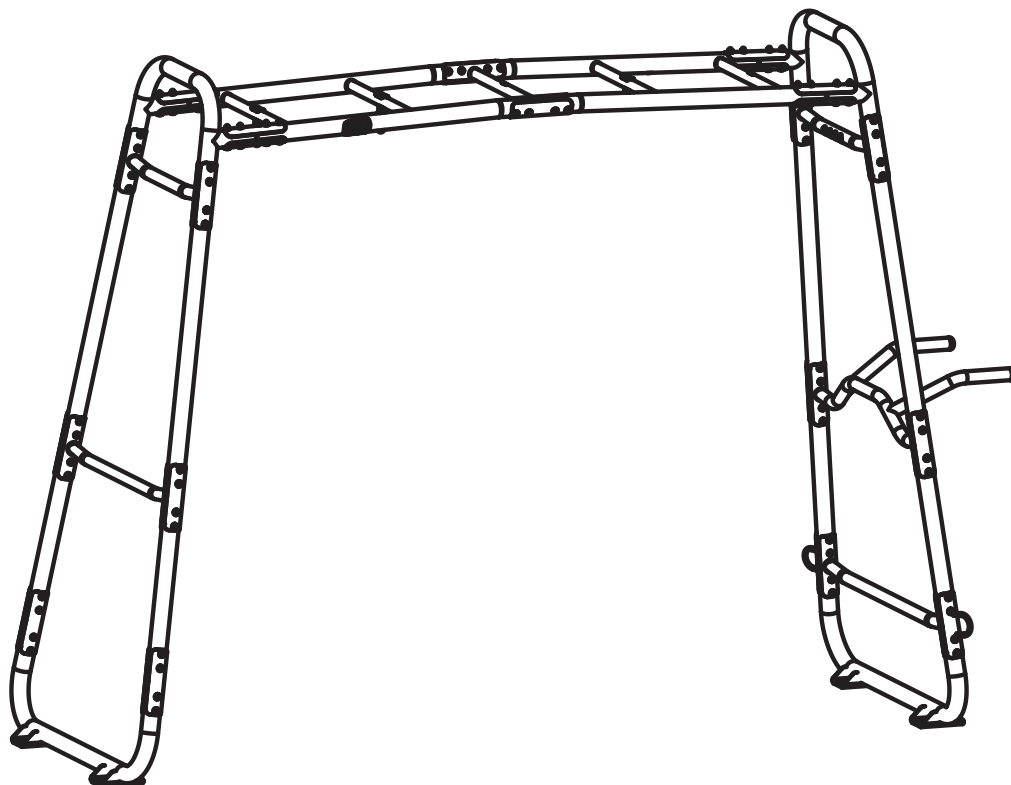
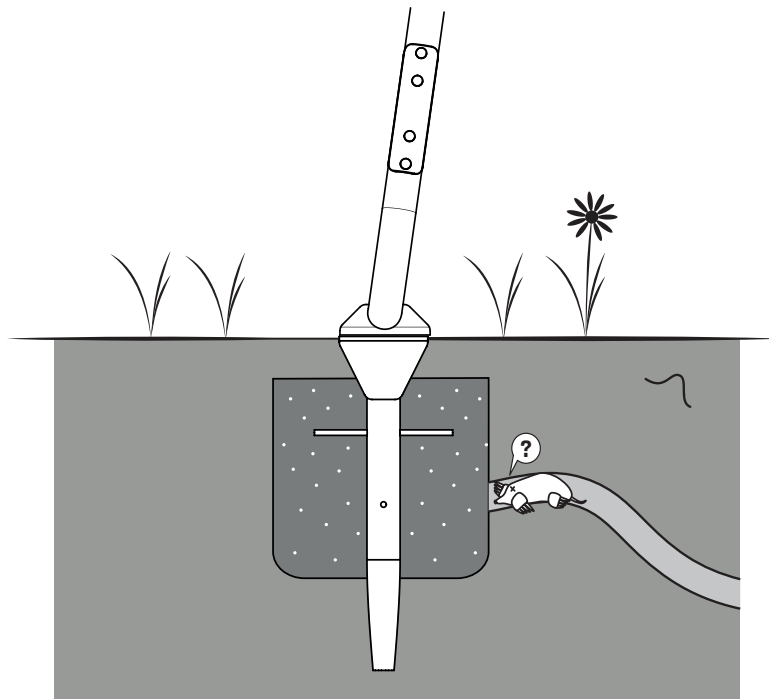


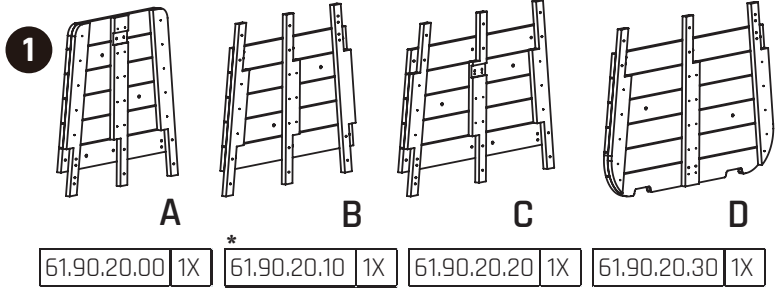
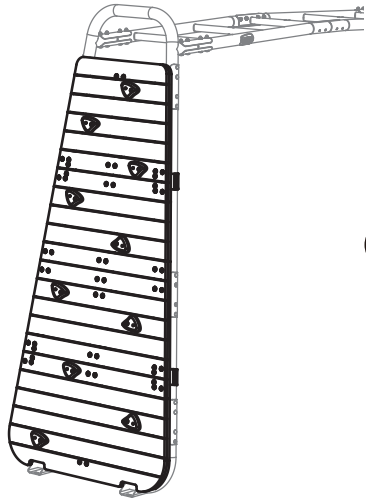
14



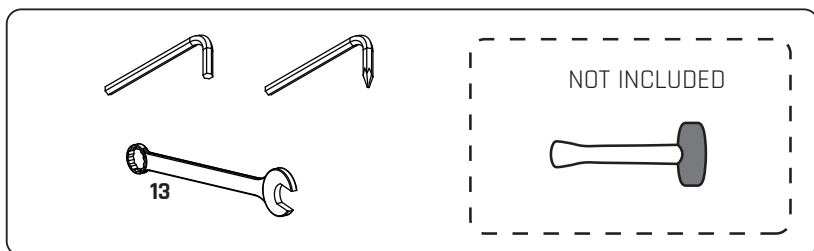
- 
P2
- 
5 8x
- 
6 8x
M12x45mm
- 
7 8x







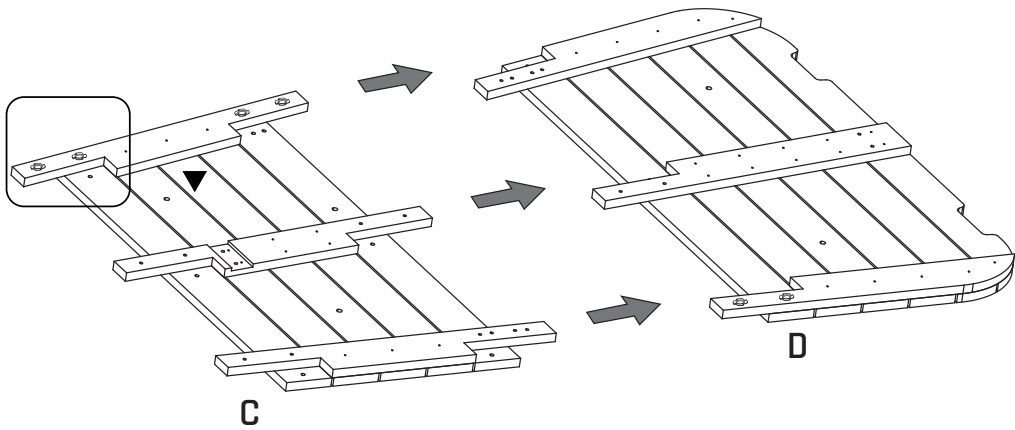
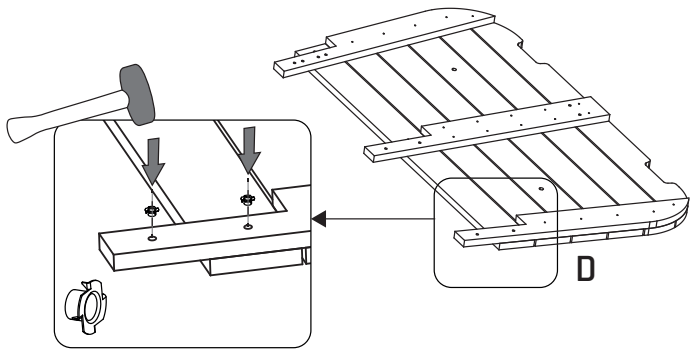
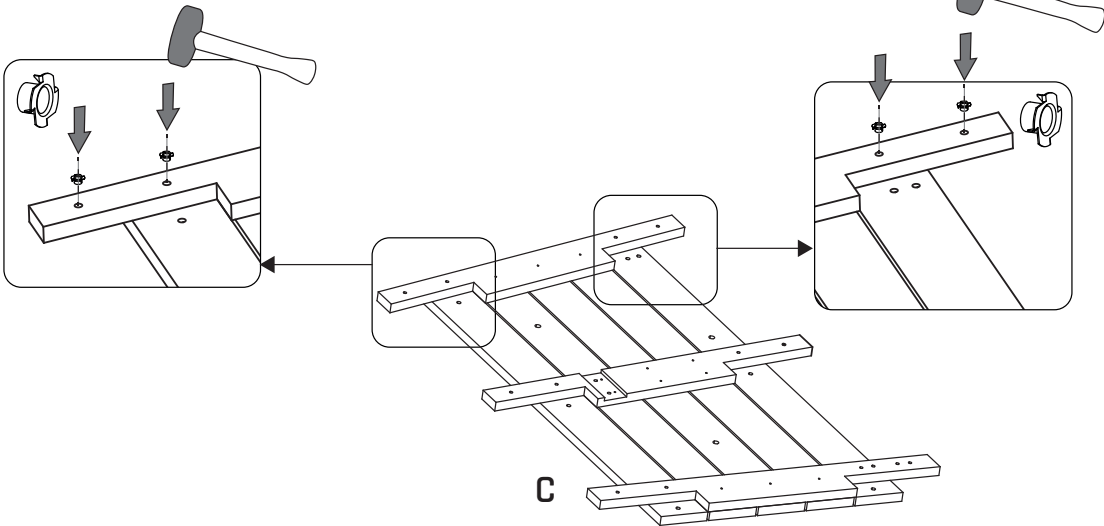
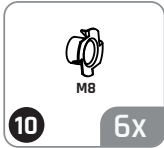
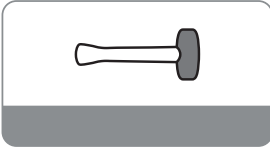
<p>2</p> <p>M8x35mm</p> <table border="1"> <tr> <td>M8x35mm</td> <td>2X</td> </tr> </table>	M8x35mm	2X	<p>3</p> <p>M8x40mm</p> <table border="1"> <tr> <td>M8x40mm</td> <td>2X</td> </tr> </table>	M8x40mm	2X	<p>4</p> <p>M8x45mm</p> <table border="1"> <tr> <td>M8x45mm</td> <td>24X</td> </tr> </table>	M8x45mm	24X	<p>5</p> <p>M8x50mm</p> <table border="1"> <tr> <td>M8x50mm</td> <td>10X</td> </tr> </table>	M8x50mm	10X			
M8x35mm	2X													
M8x40mm	2X													
M8x45mm	24X													
M8x50mm	10X													
<p>6</p> <p>M8</p> <table border="1"> <tr> <td>M8</td> <td>48X</td> </tr> </table>	M8	48X	<p>7</p> <p>M8</p> <table border="1"> <tr> <td>M8</td> <td>38X</td> </tr> </table>	M8	38X	<p>8</p> <p>x7</p> <table border="1"> <tr> <td>G 54.90.20.10</td> <td rowspan="2">1X *</td> </tr> <tr> <td>B 54.90.20.15</td> </tr> </table>		G 54.90.20.10	1X *	B 54.90.20.15	<p>9</p> <p>61.90.46.00</p> <table border="1"> <tr> <td>61.90.46.00</td> <td>10X *</td> </tr> </table>	61.90.46.00	10X *	
M8	48X													
M8	38X													
G 54.90.20.10	1X *													
B 54.90.20.15														
61.90.46.00	10X *													
<p>10</p> <p>M8</p> <table border="1"> <tr> <td>M8</td> <td>12X</td> </tr> </table>	M8	12X	<p>11</p> <p>M8x40mm</p> <table border="1"> <tr> <td>M8x40mm</td> <td>12X</td> </tr> </table>	M8x40mm	12X	<p>12</p> <p>M10x35mm</p> <table border="1"> <tr> <td>M10x35mm</td> <td>10X</td> </tr> </table>	M10x35mm	10X	<p>13</p> <p>st3.5x25mm</p> <table border="1"> <tr> <td>st3.5x25mm</td> <td>10X</td> </tr> </table>	st3.5x25mm	10X	<p>14</p> <p>M10</p> <table border="1"> <tr> <td>M10</td> <td>10X</td> </tr> </table>	M10	10X
M8	12X													
M8x40mm	12X													
M10x35mm	10X													
st3.5x25mm	10X													
M10	10X													
<table border="1"> <tr> <td>61.90.20.40</td> <td>1X</td> </tr> </table>		61.90.20.40	1X	<table border="1"> <tr> <td>61.90.46.10</td> <td>1X</td> </tr> </table>		61.90.46.10	1X							
61.90.20.40	1X													
61.90.46.10	1X													



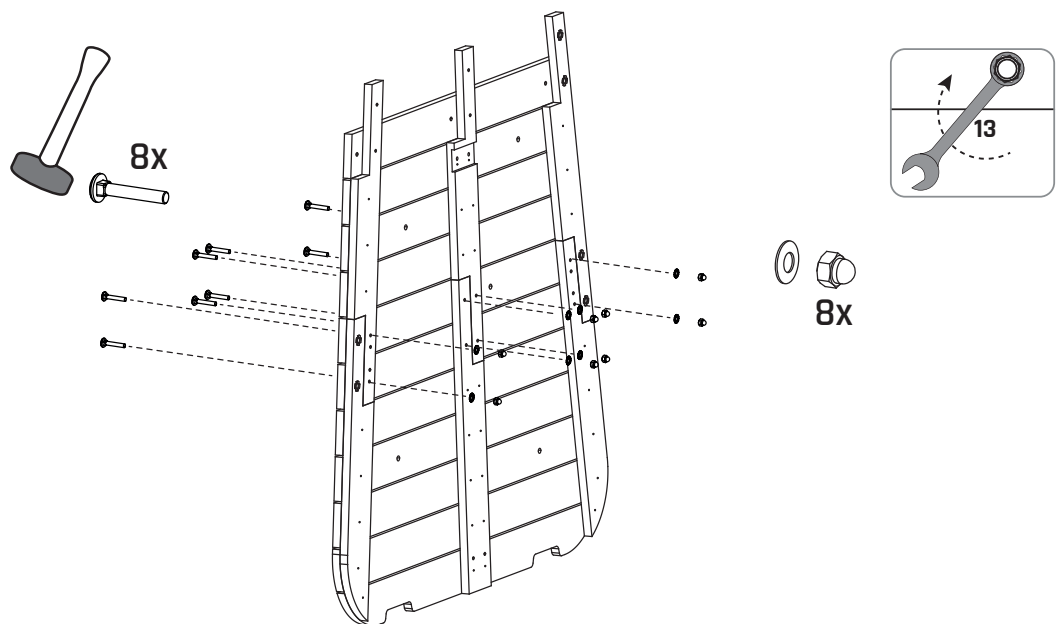
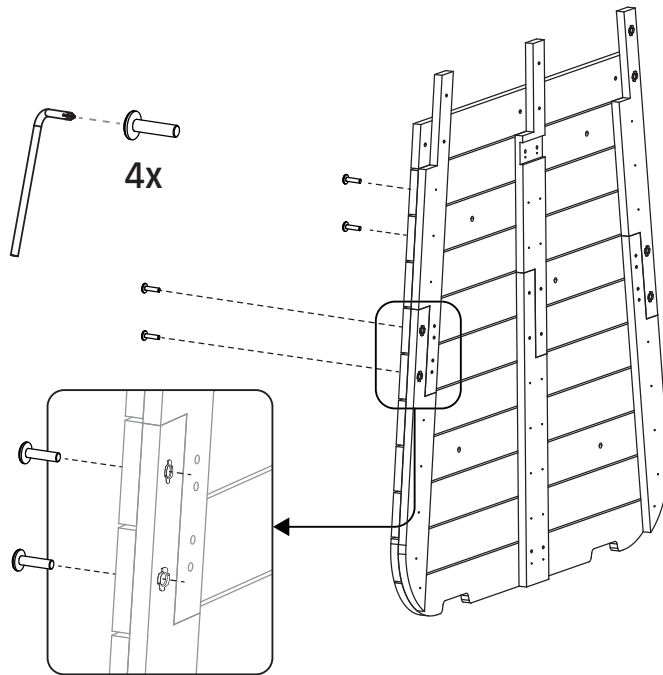
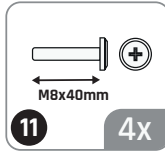
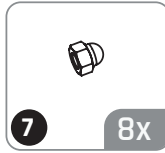
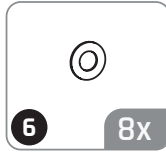
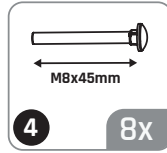
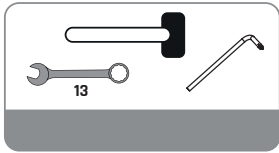
* BOX REFERENCE: XX.XX
 PRODUCTION ID: XXX XXX



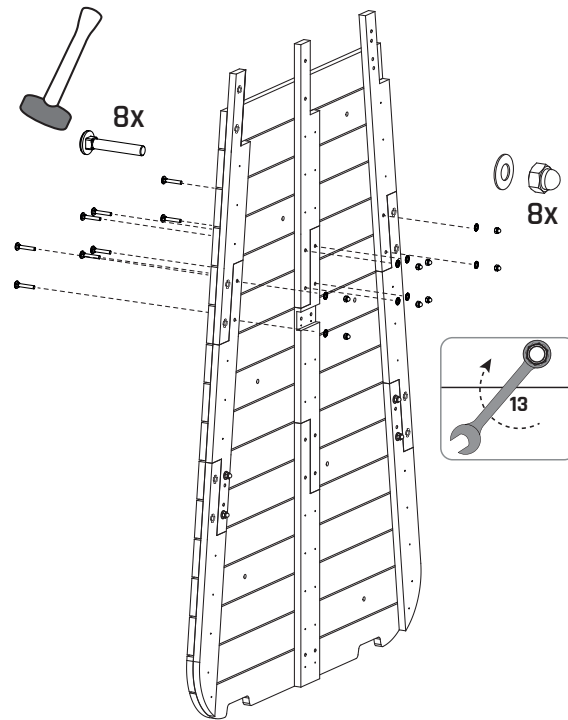
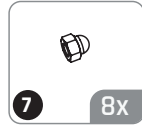
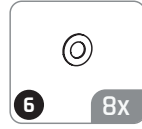
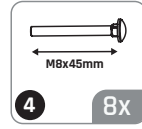
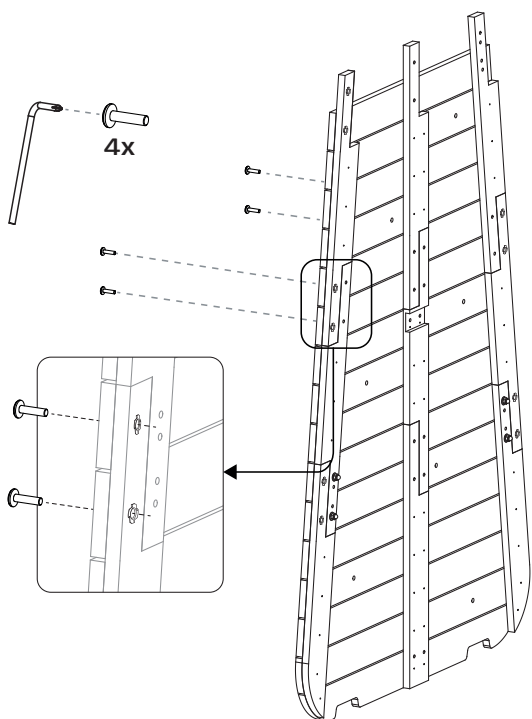
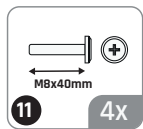
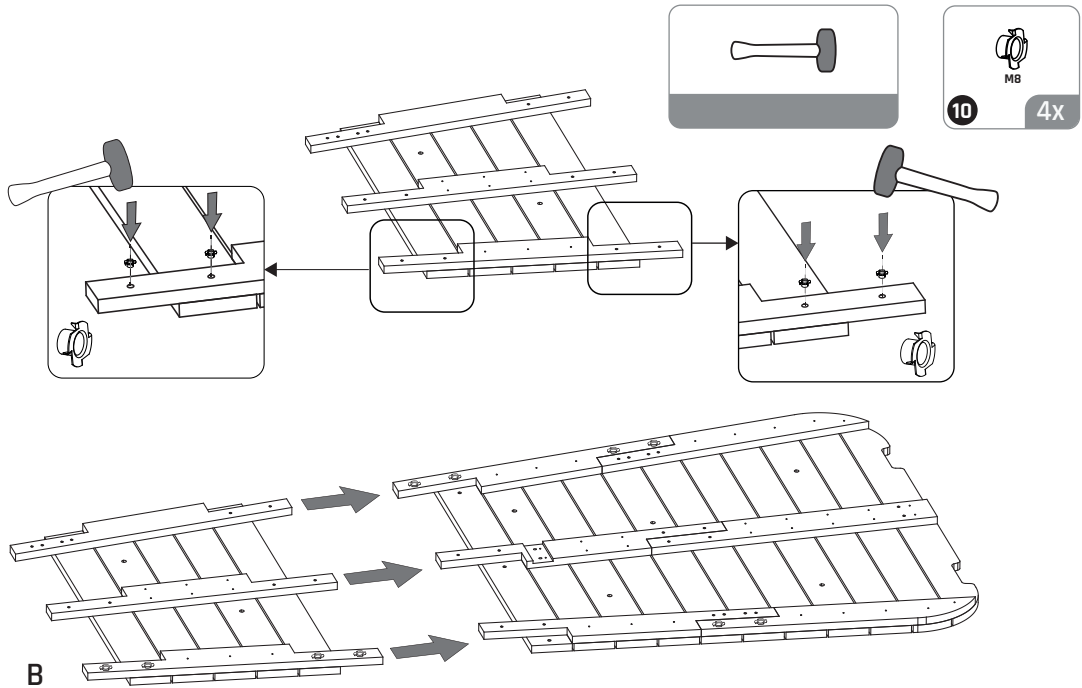
1

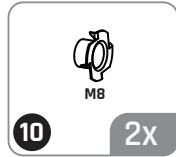
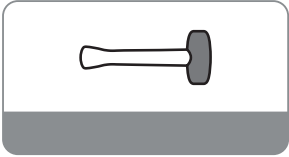


2

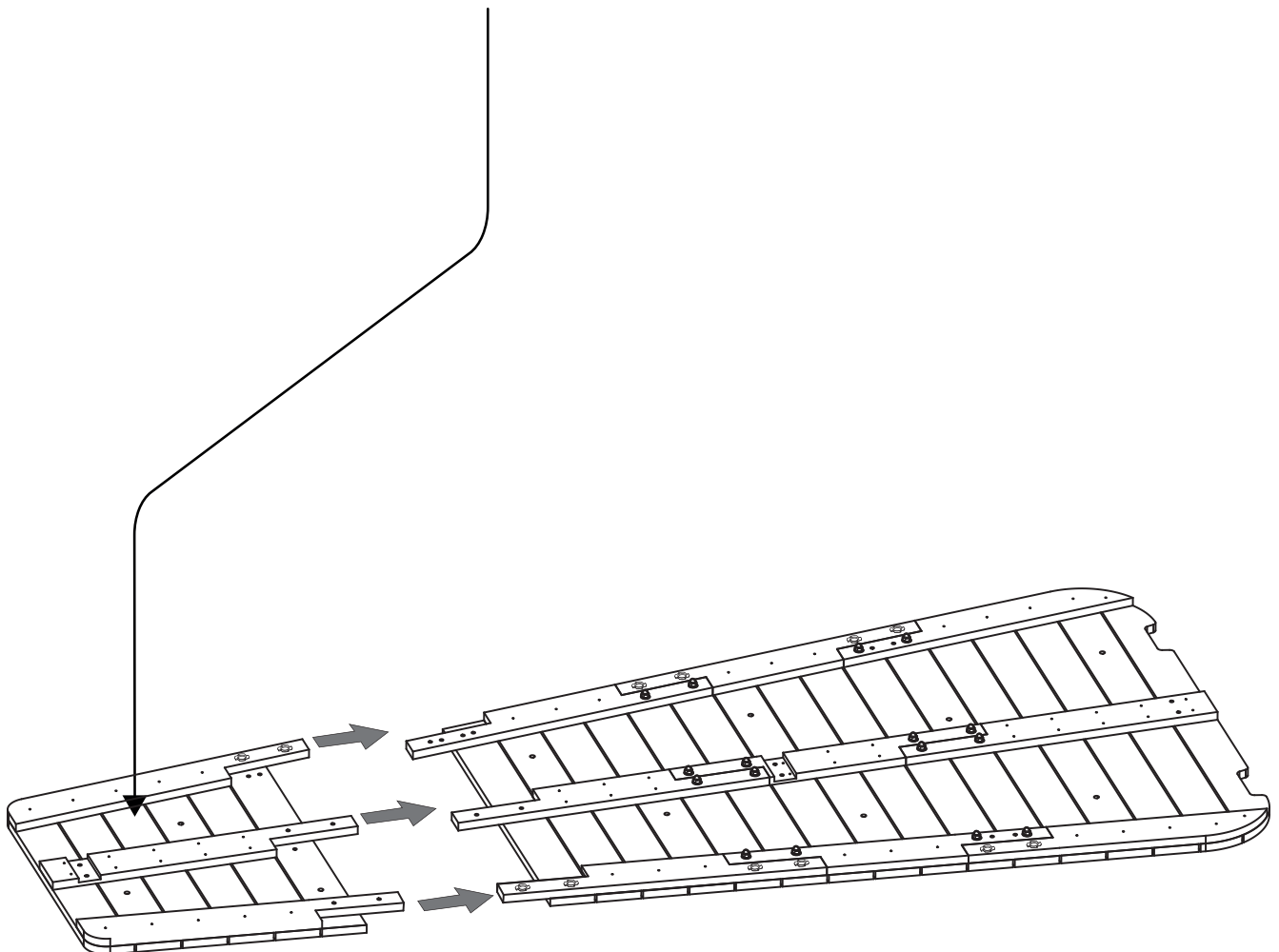
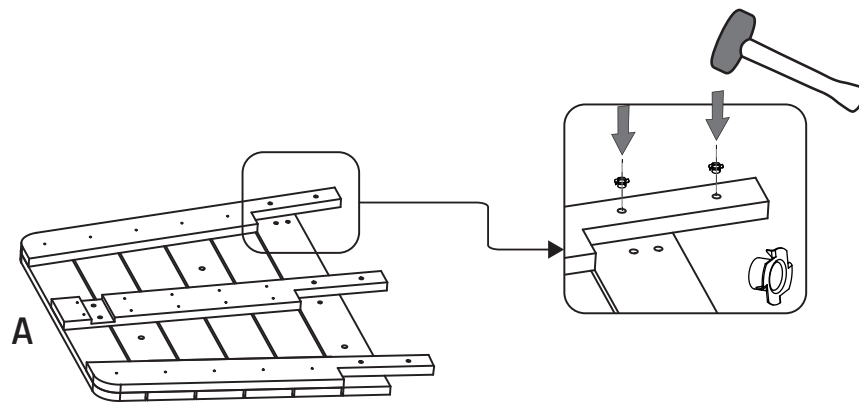


3

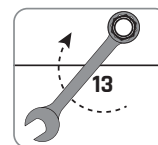
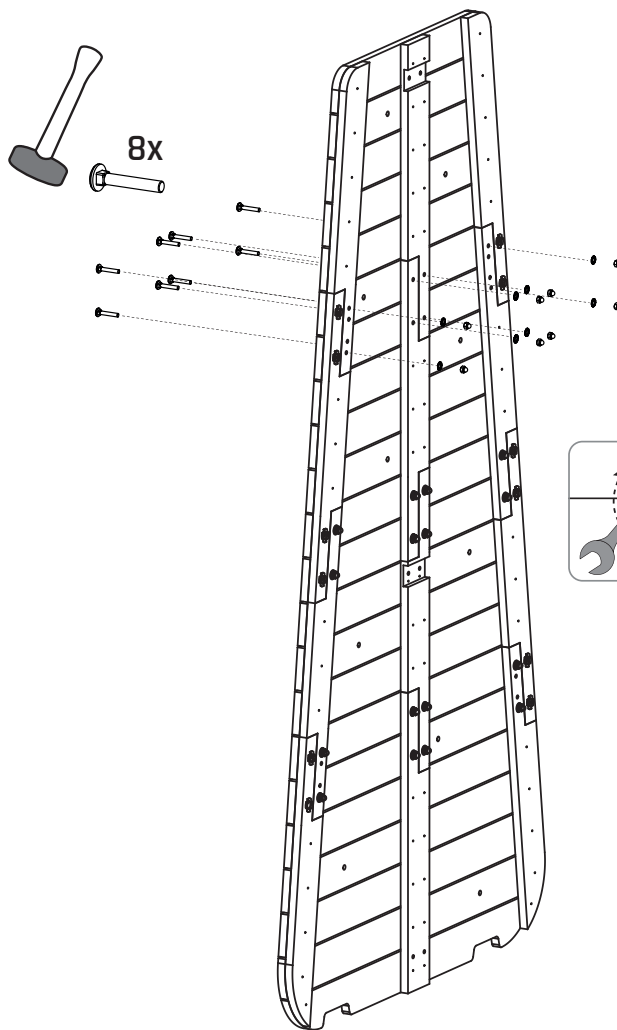
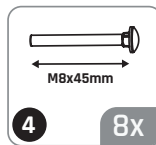
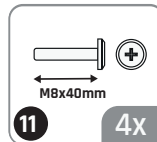
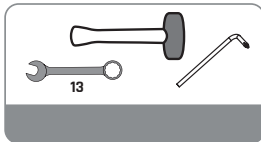
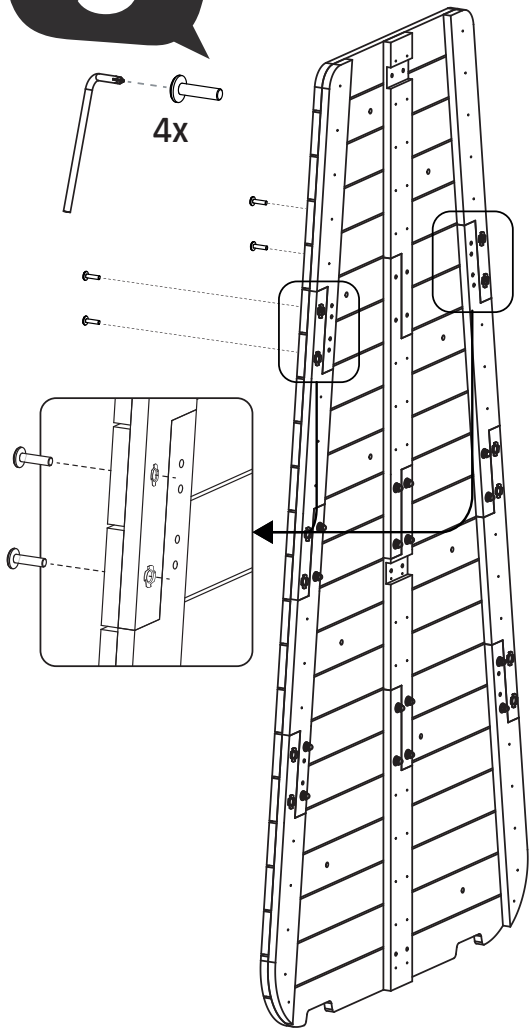


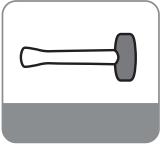


4

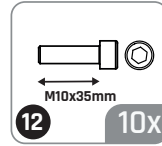
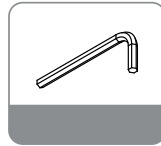


5

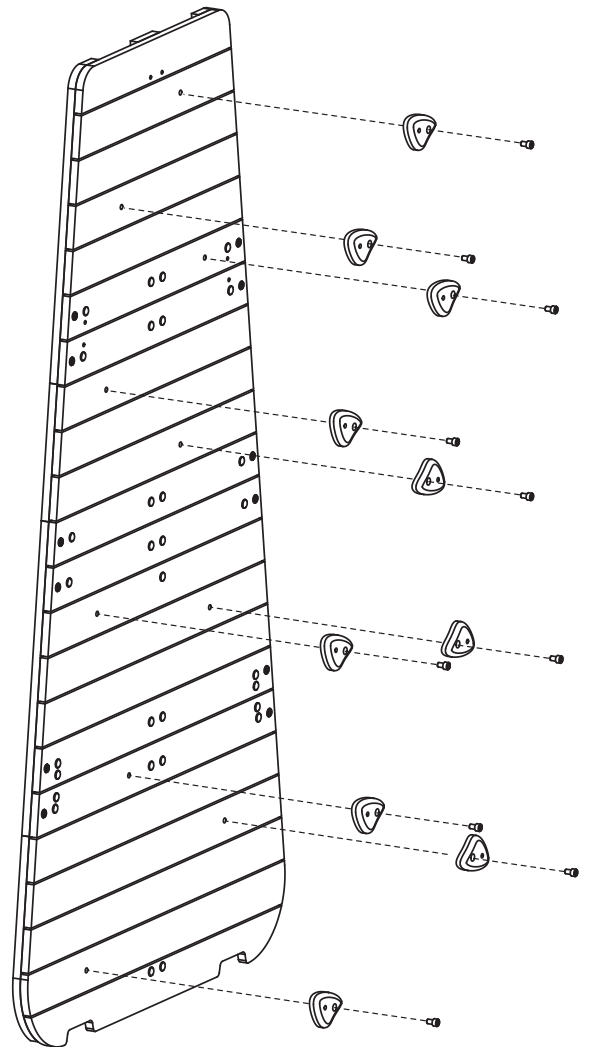
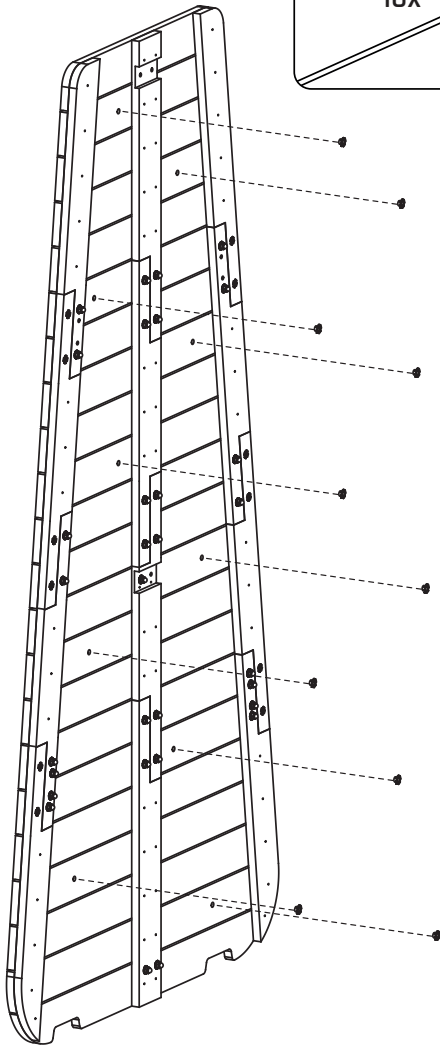
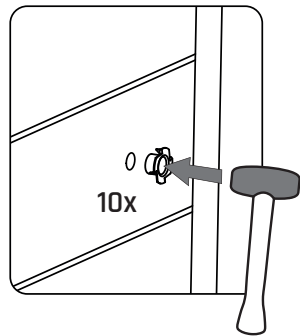




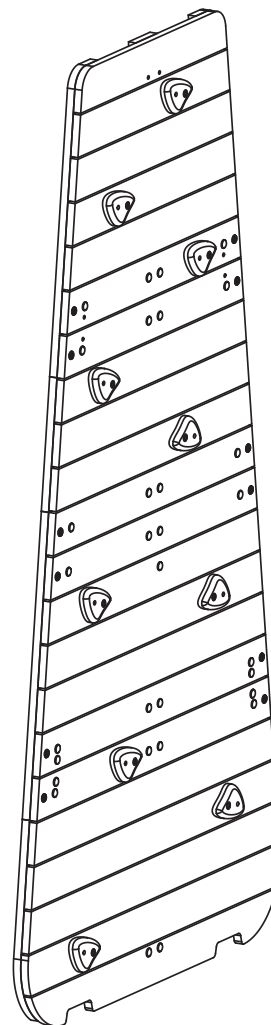
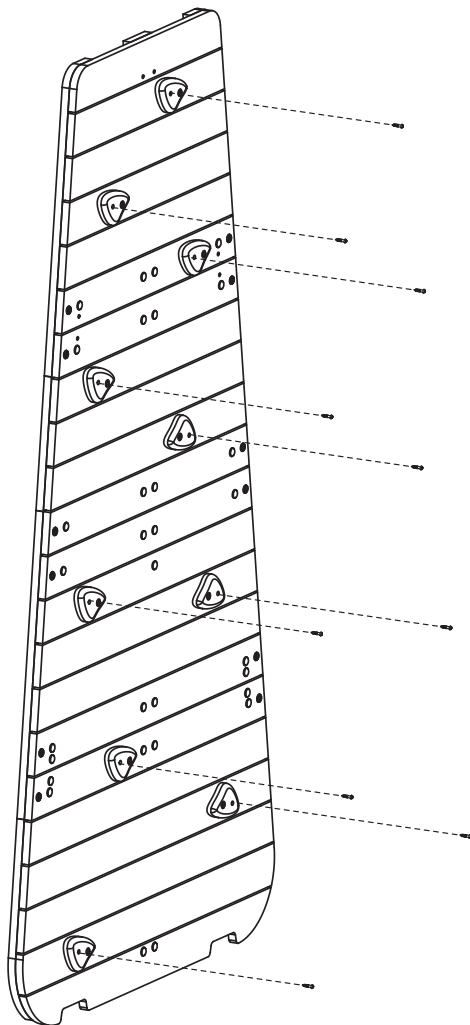
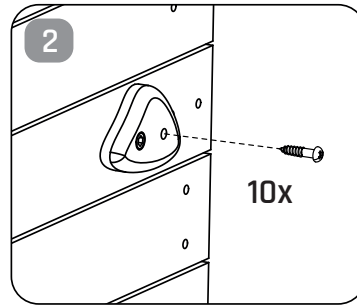
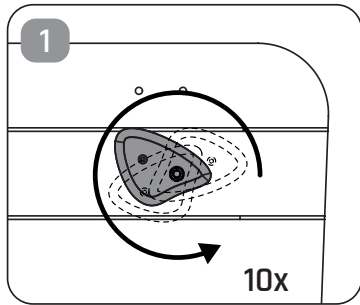
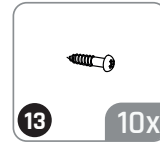
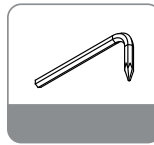
6



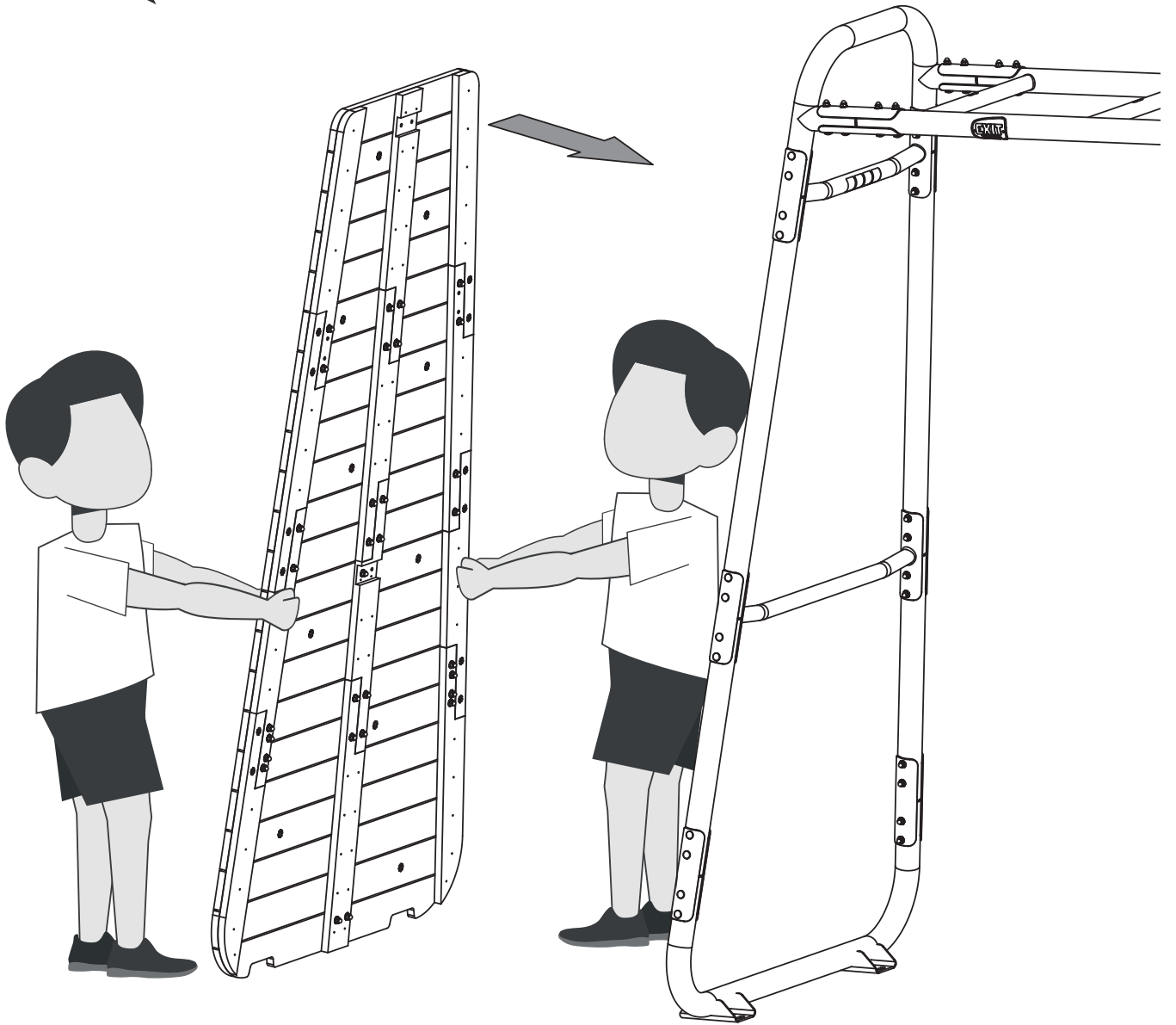
7



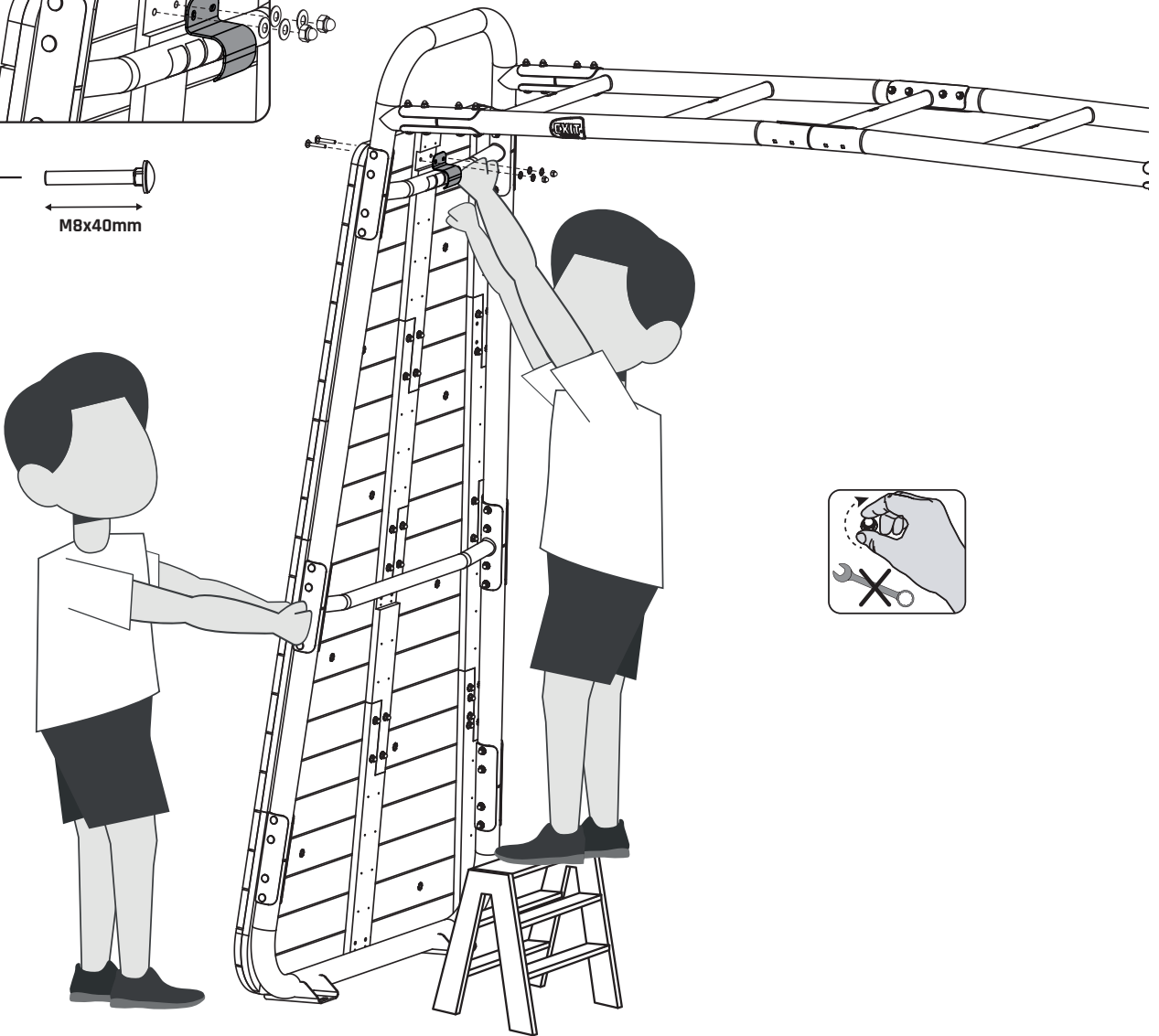
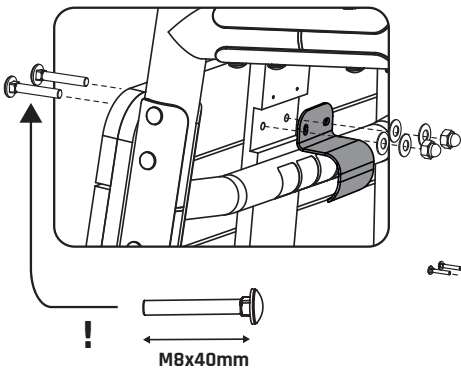
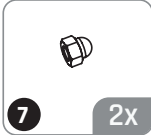
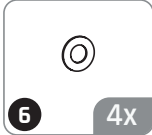
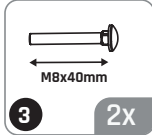
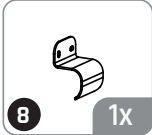
8


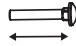
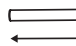




9

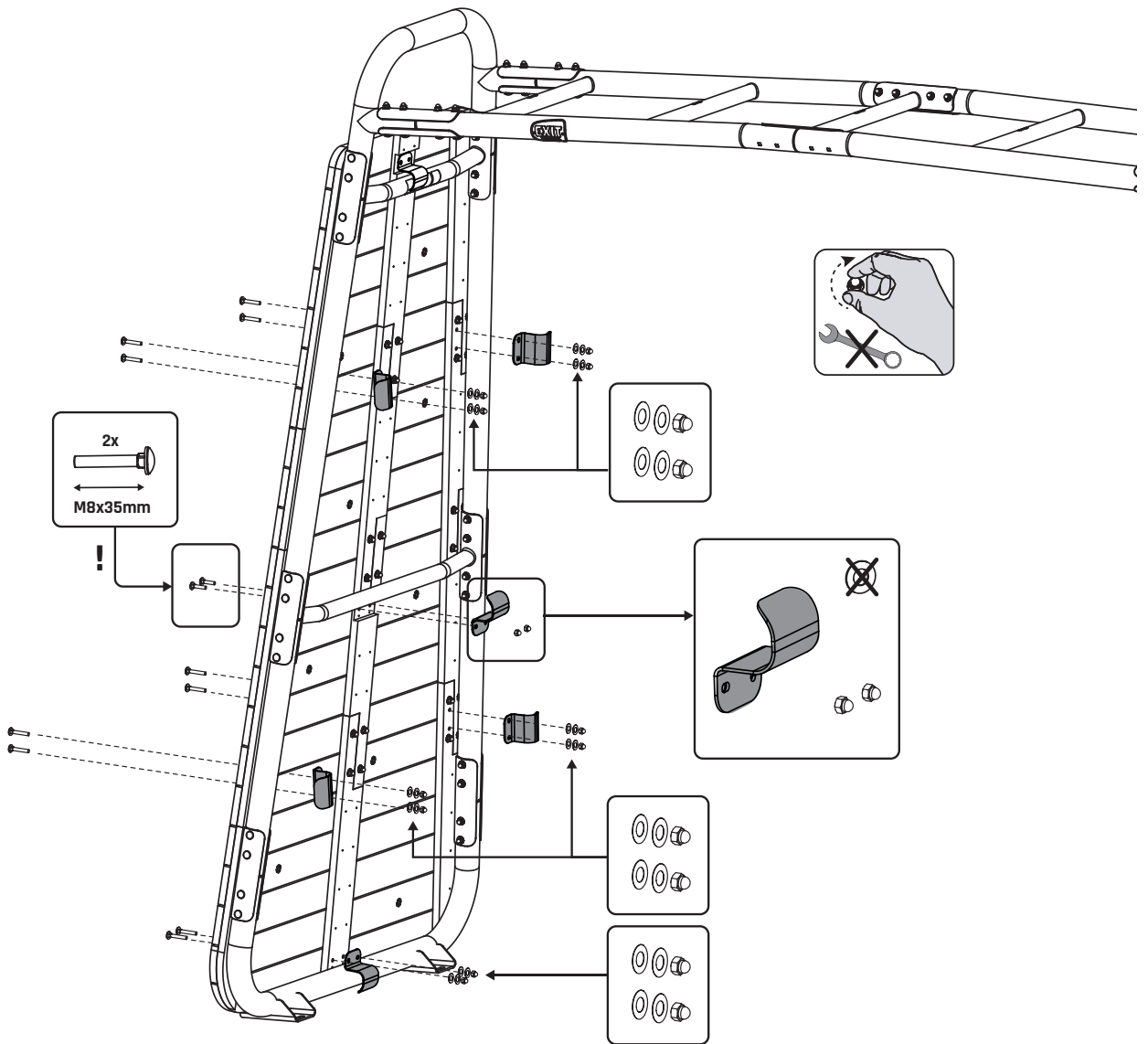


10

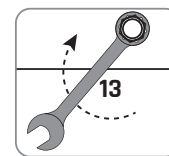
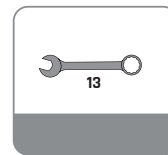


- 8 6x 
- 2 2x  M8x35mm
- 5 10x  M8x50mm
- 6 20x 
- 7 12x 

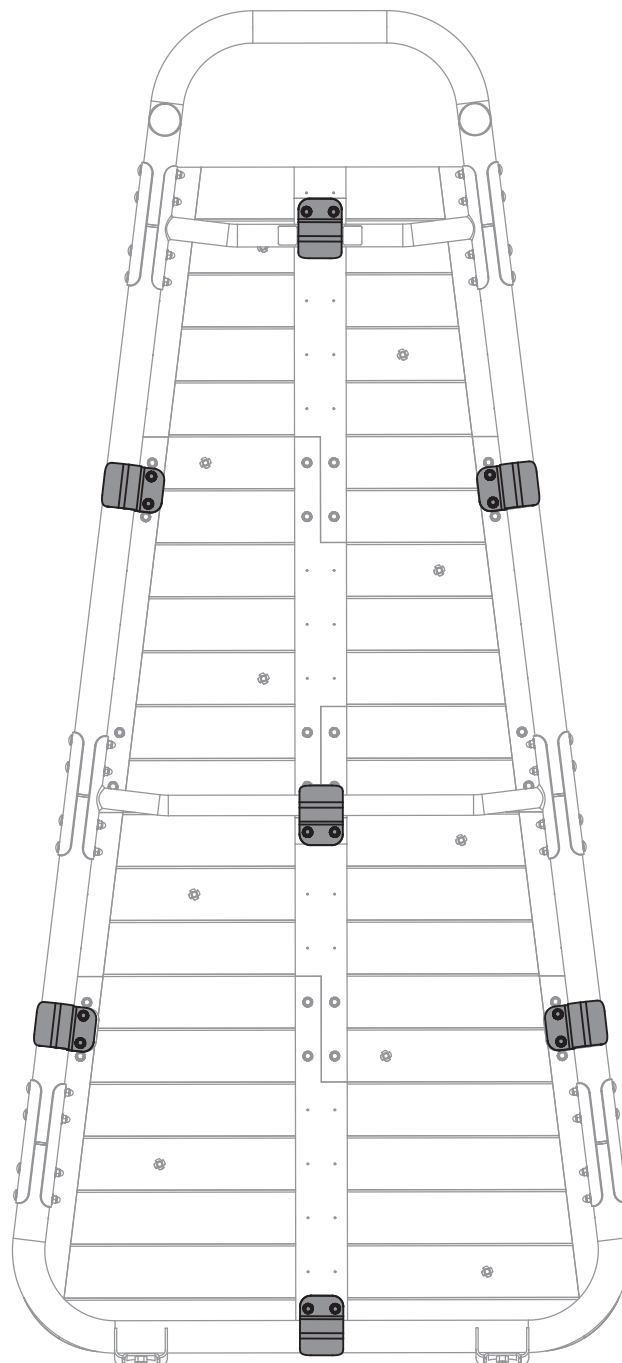
11



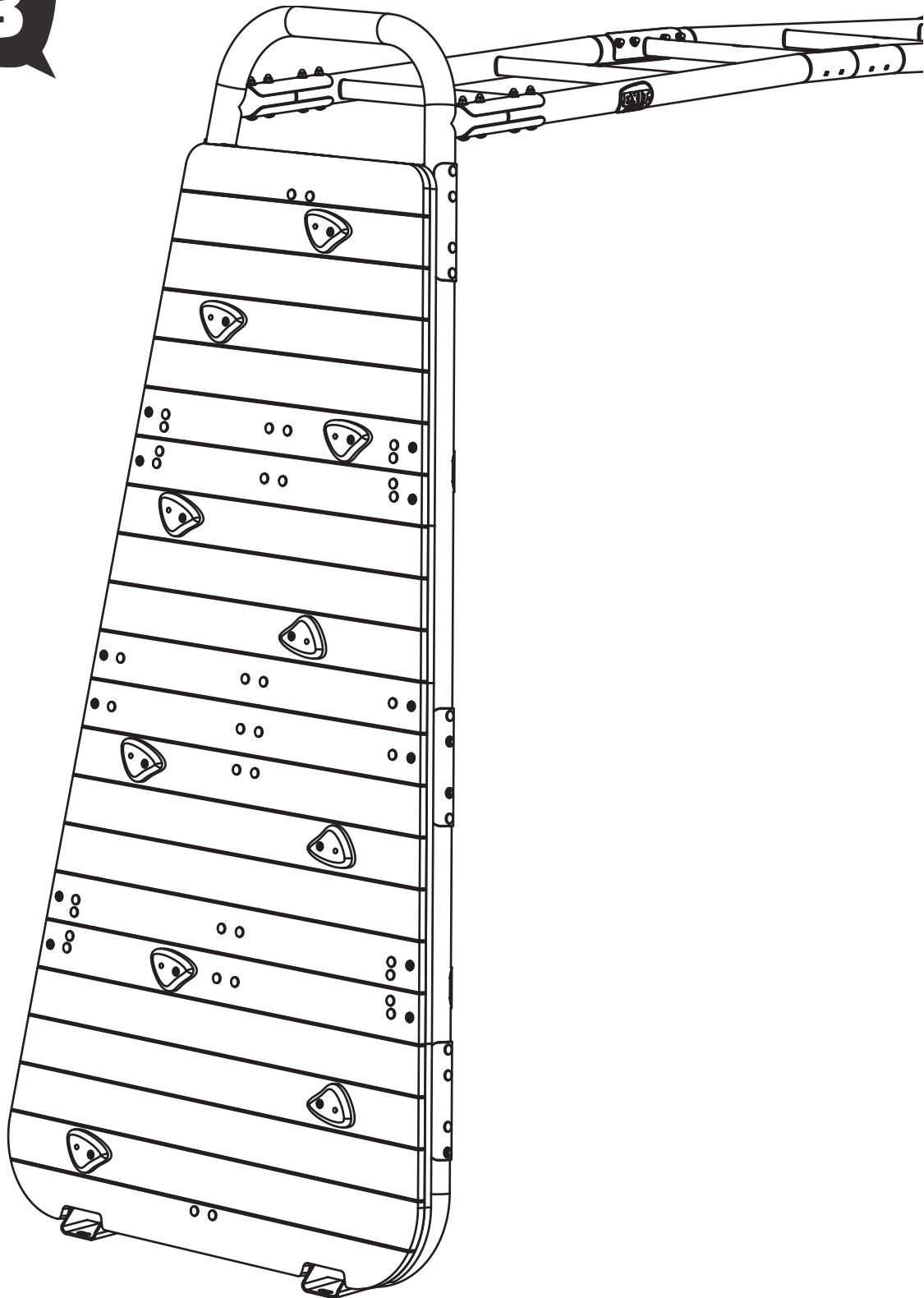
12



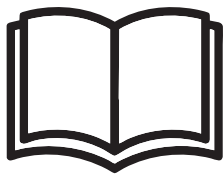
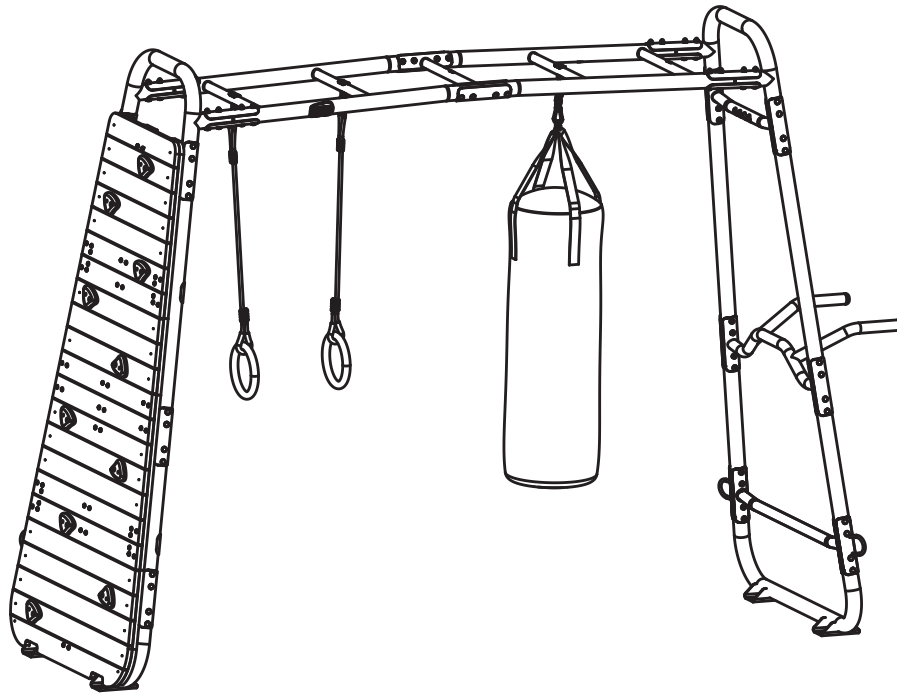
14 x



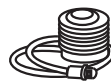
13







EXIT GetSet Hanging accessories
EAN 872111204423



+



54.90.30.00

Wood: 54.90.41.00
Plastic: 54.90.41.10





www.exittoys.com



Contact Information:

Dutch Toys Group B.V.
Edisonstraat 83
7006 RB Doetinchem, The Netherlands

info@exittoys.com
www.exittoys.com

EXIT Toys is part of:

SIMBA · DICKIE · GROUP

EXIT Toys is a registered trade mark of Dutch Toys Group