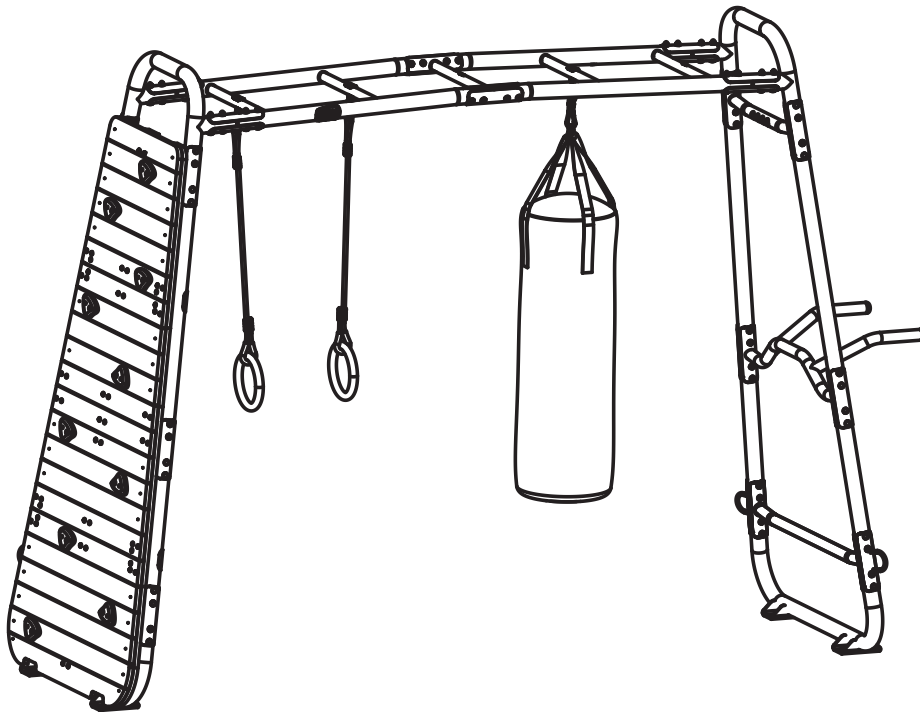




GetSet

EXIT GetSet MB220



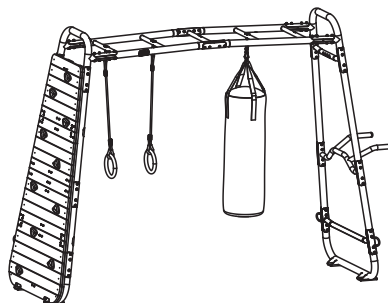
 **WARNING**
CHOKING HAZARD
small parts
Adult assembly required
retain for future reference



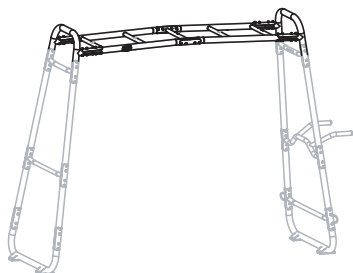
02



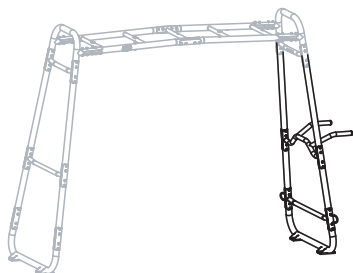
52



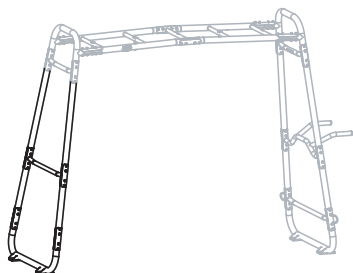
10



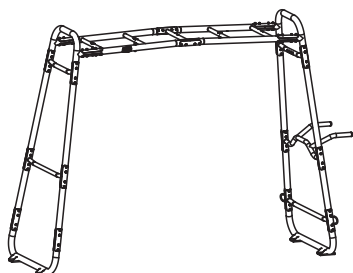
16



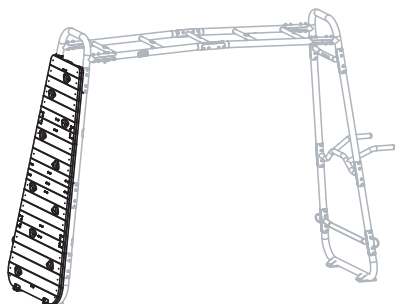
22

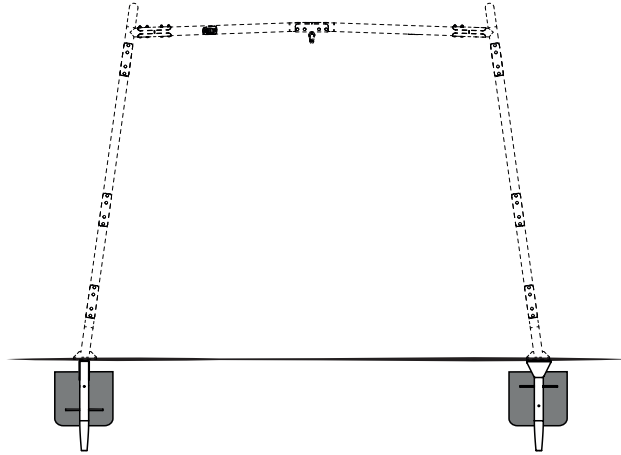


28

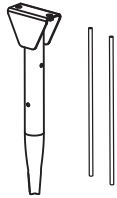


38



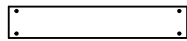


1



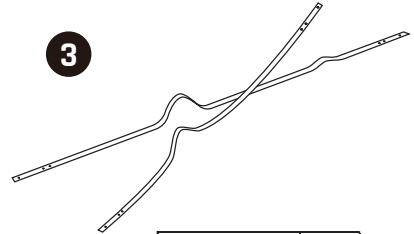
61.80.30.20 4X

2



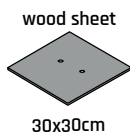
61.82.50.50 2X

3



61.85.50.60 1X

4



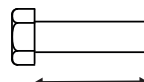
1X

5



Ø37*Ø13*3.0 8X

6



M12x45mm

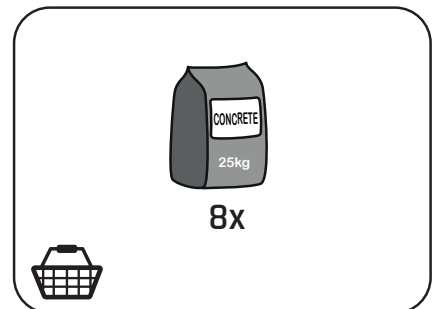
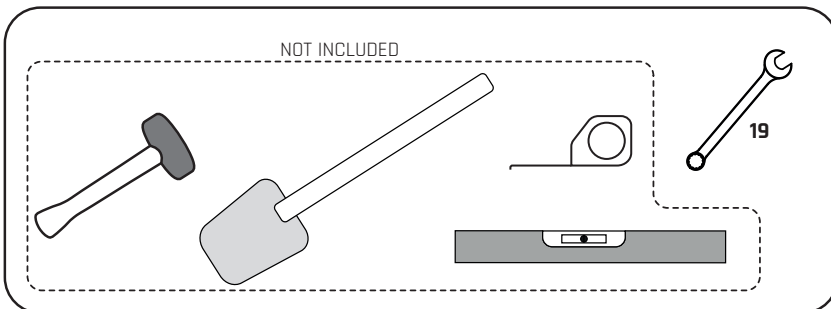
M12x45mm 8X

7

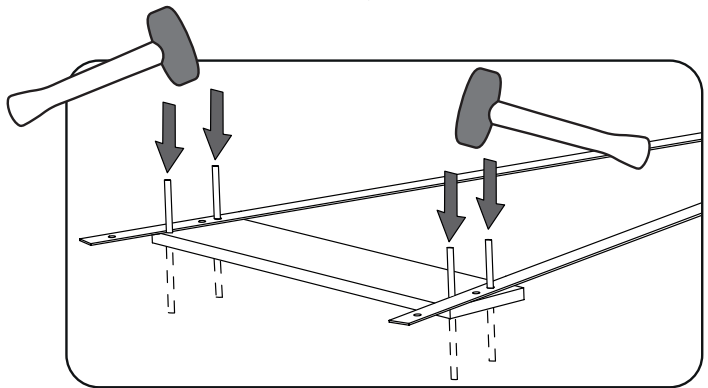
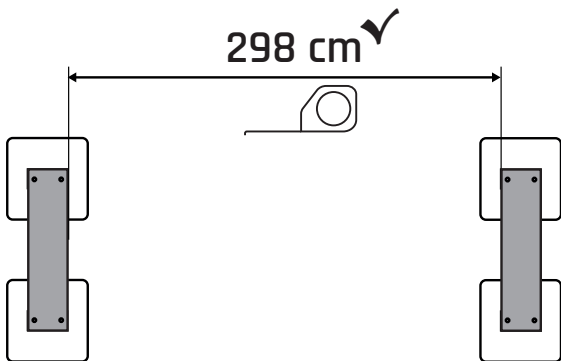
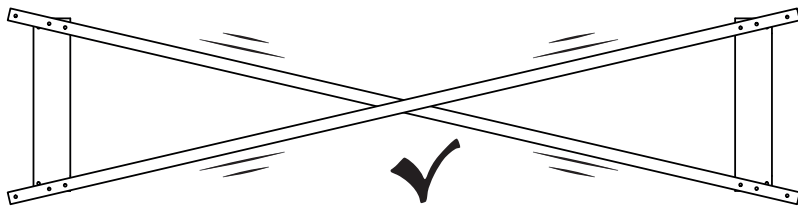
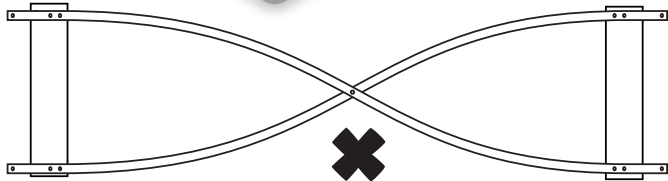
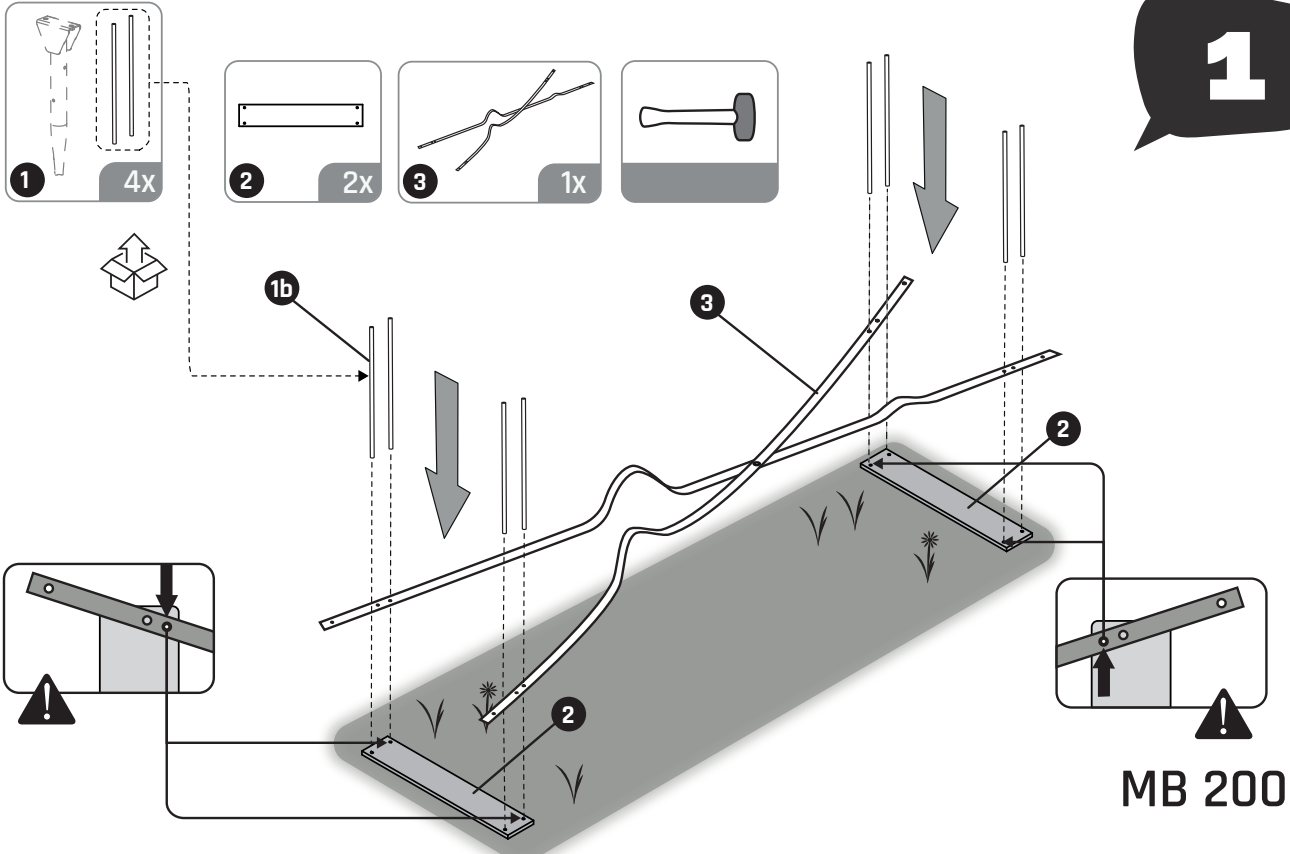


Ø13 8X

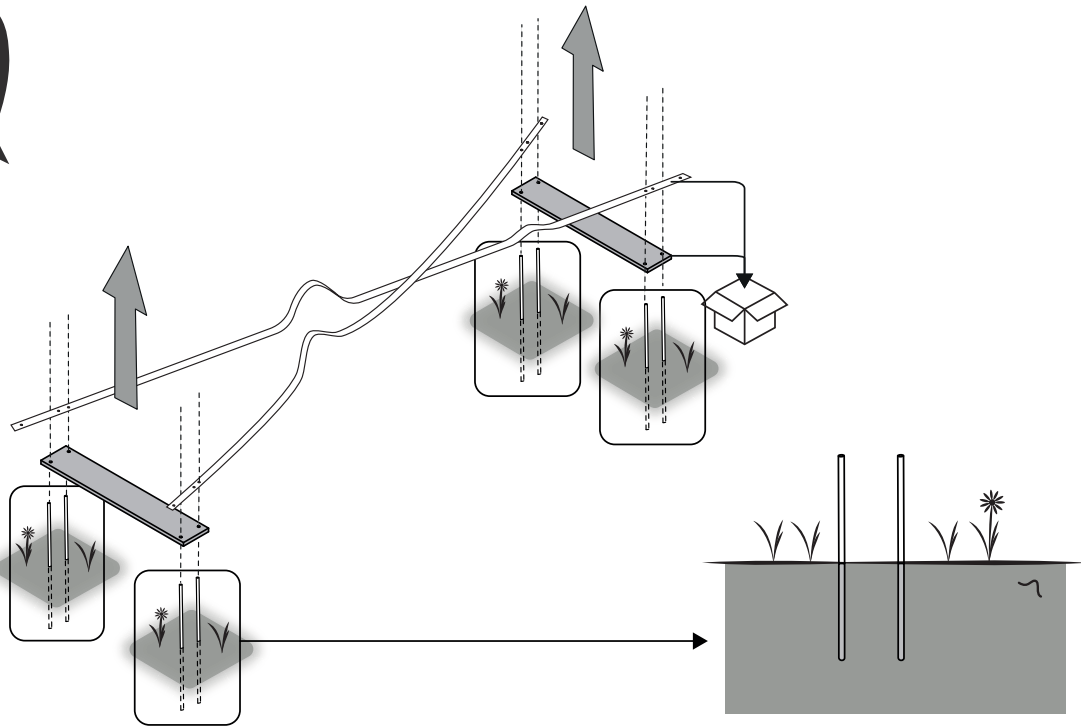
61.82.40.20 2X



1

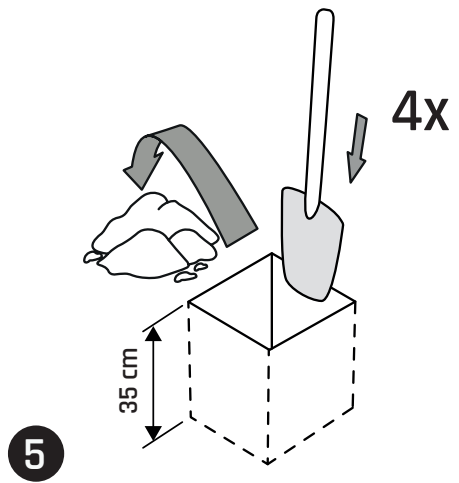
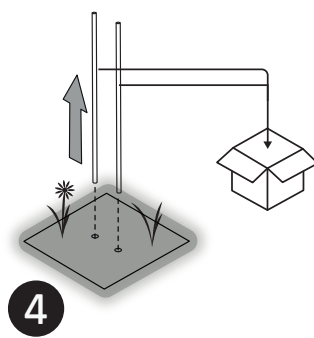
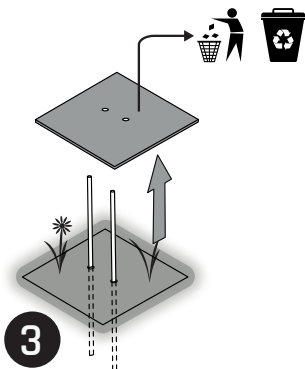
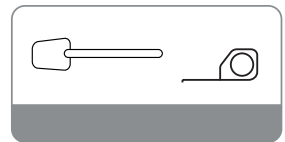
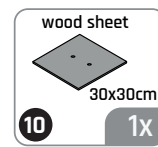
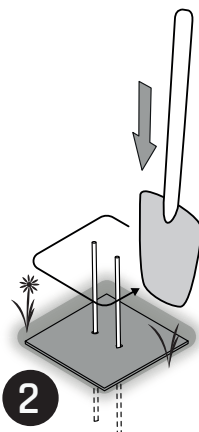
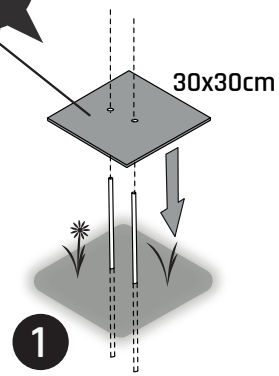


2

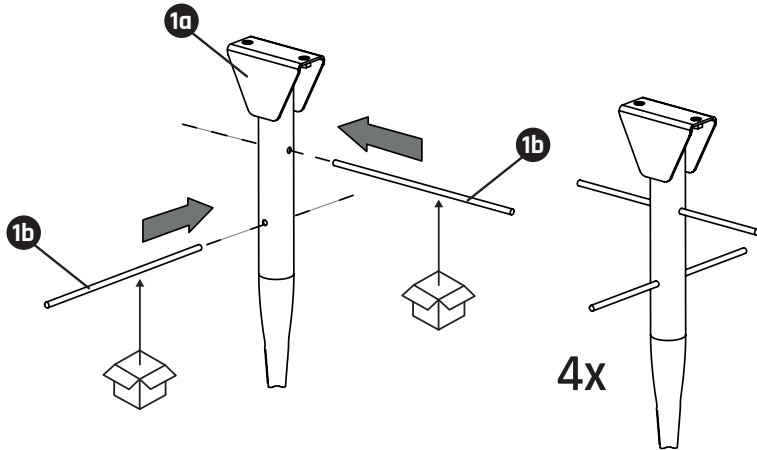
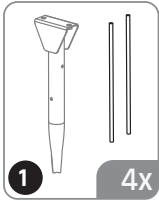


3

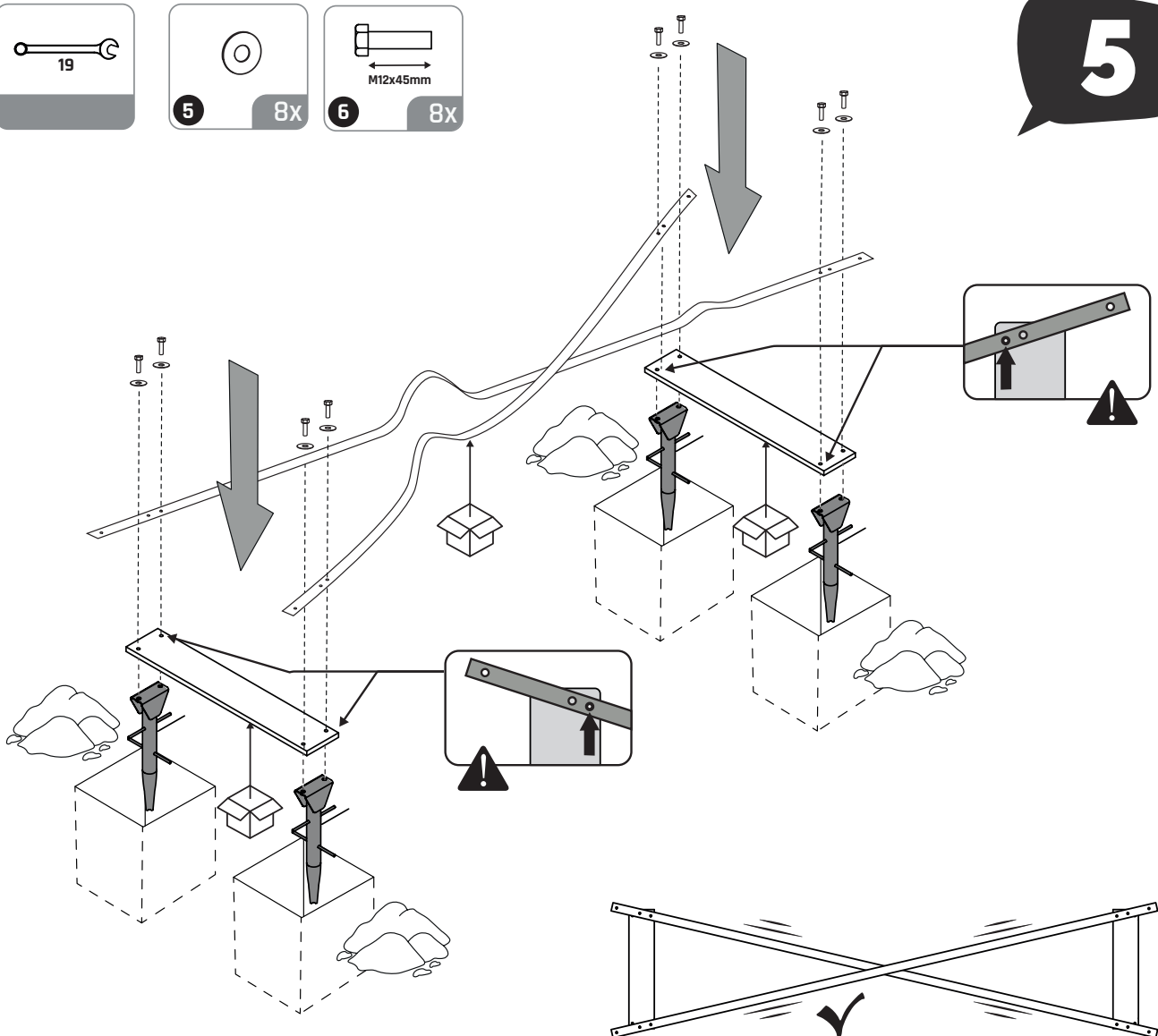
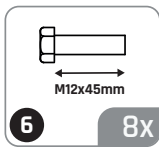
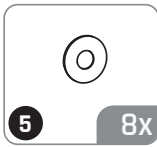
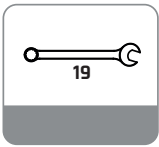
10



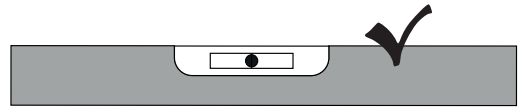
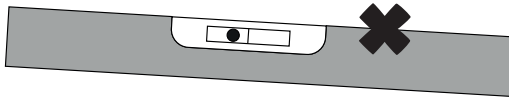
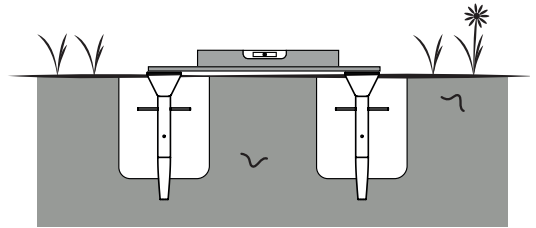
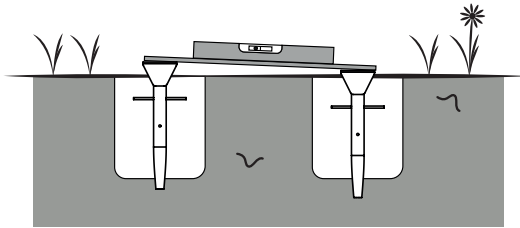
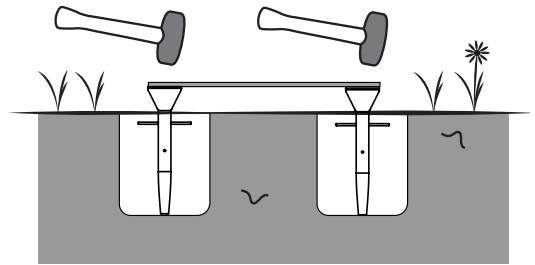
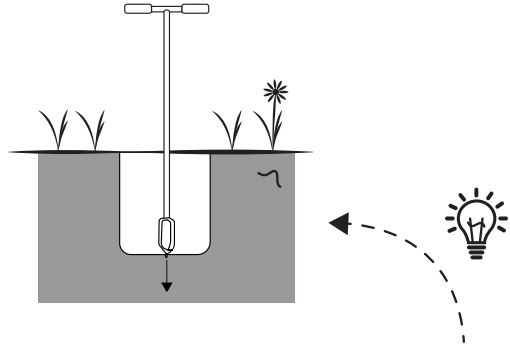
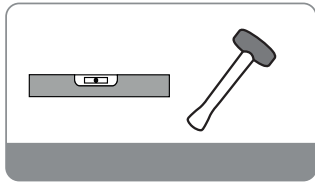
4



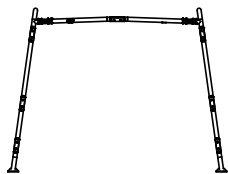
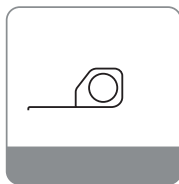
5



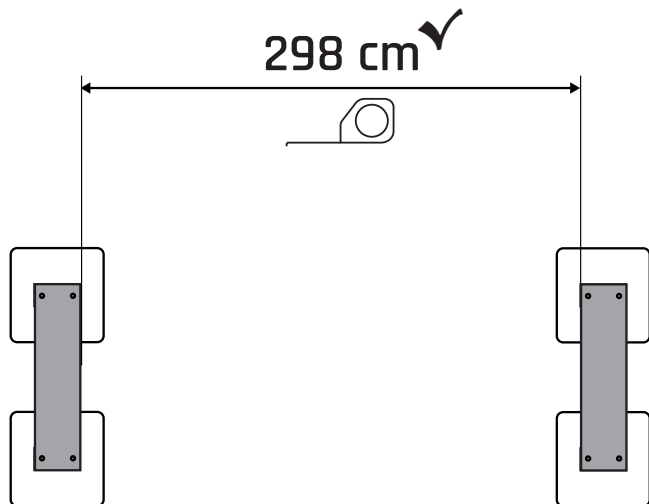
6



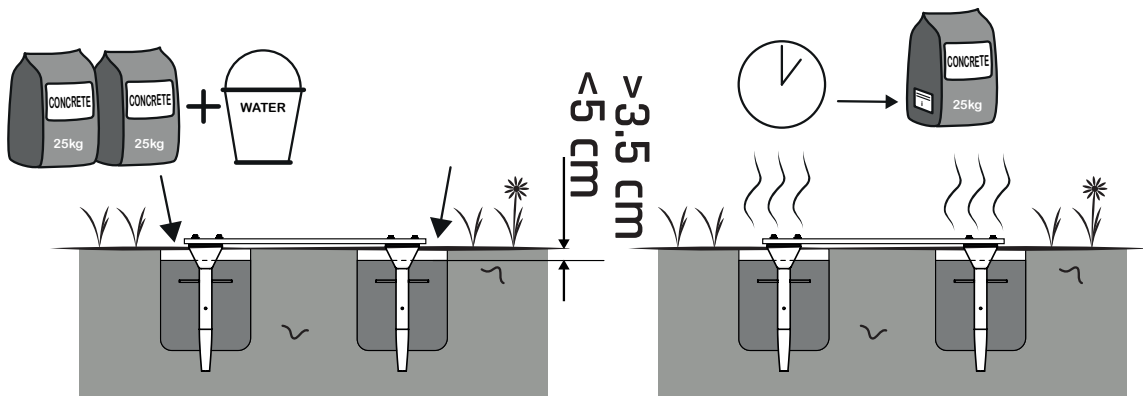
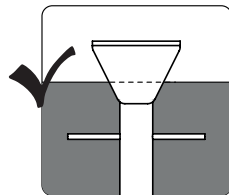
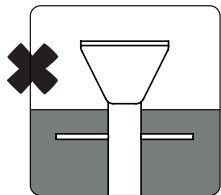
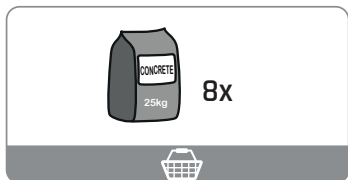
7



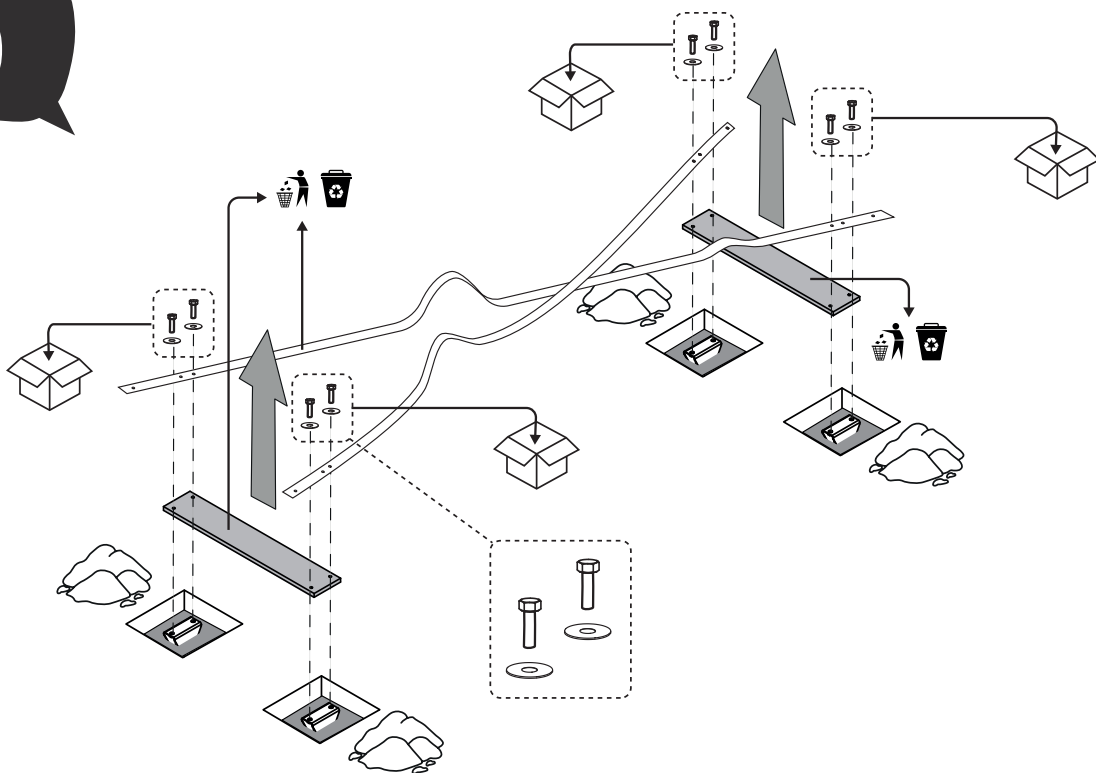
MB 200

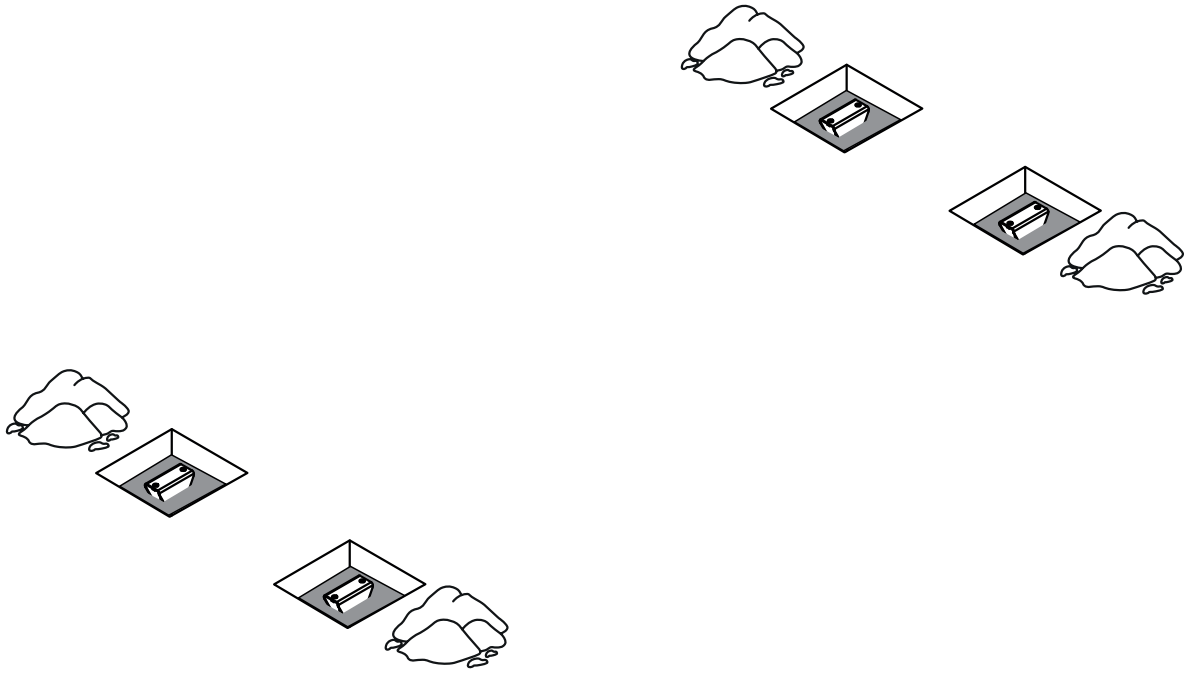


8

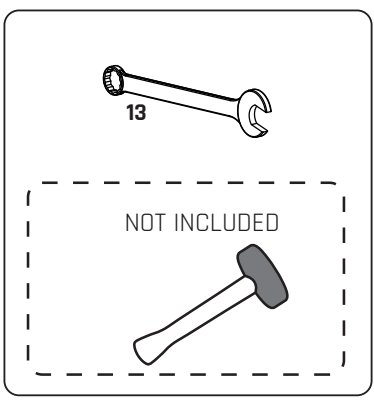
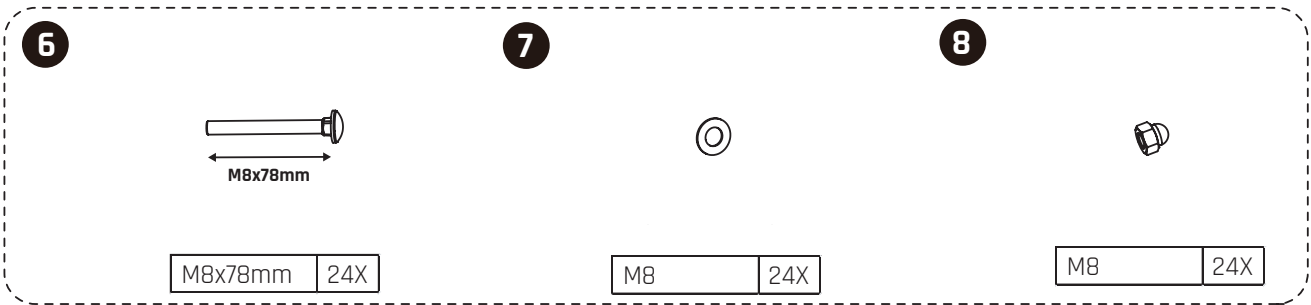
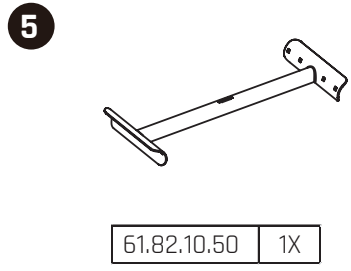
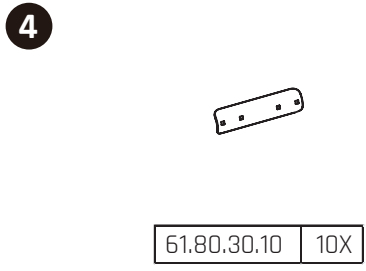
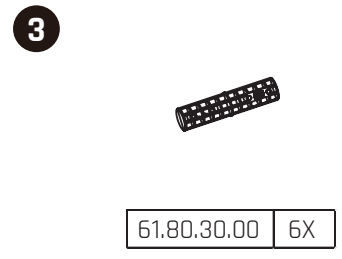
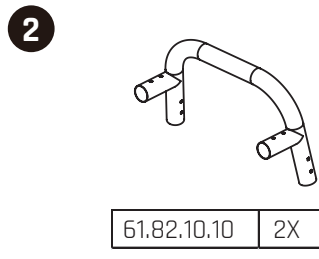
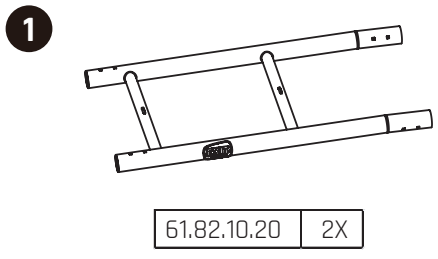
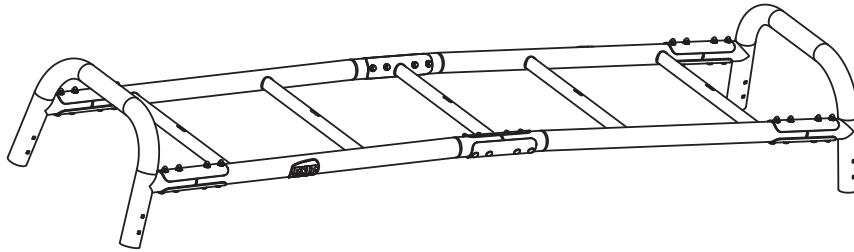


9

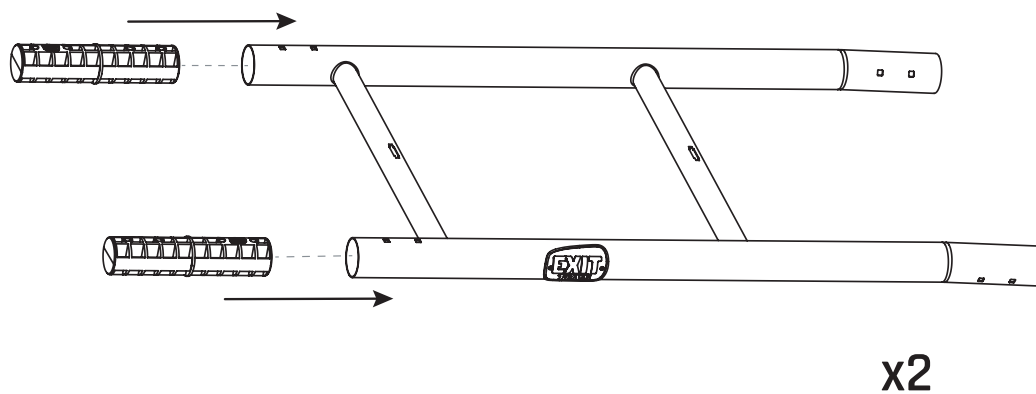
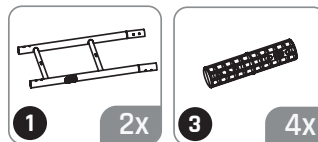




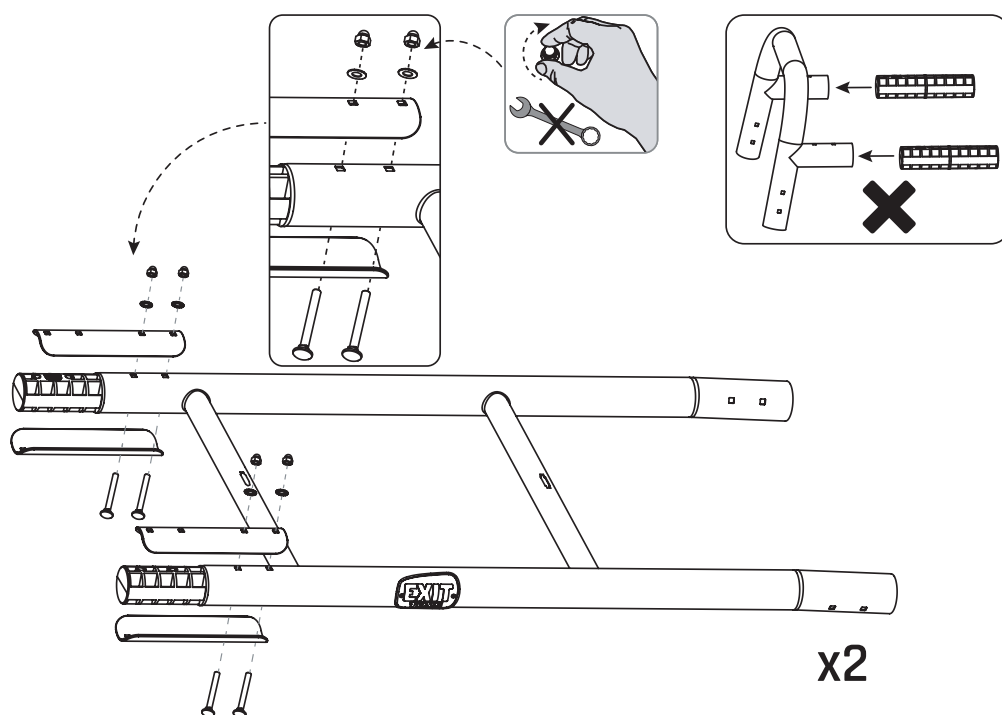
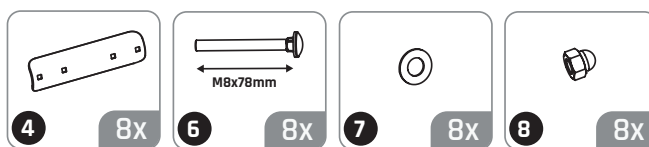




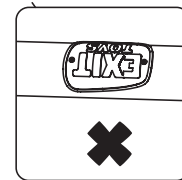
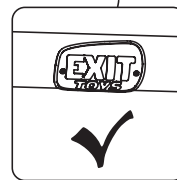
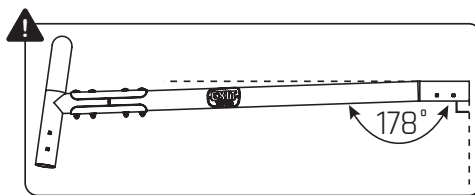
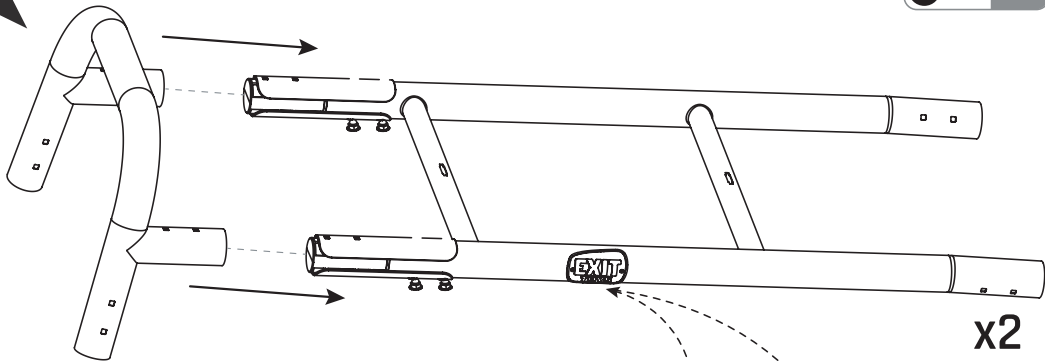
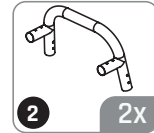
1



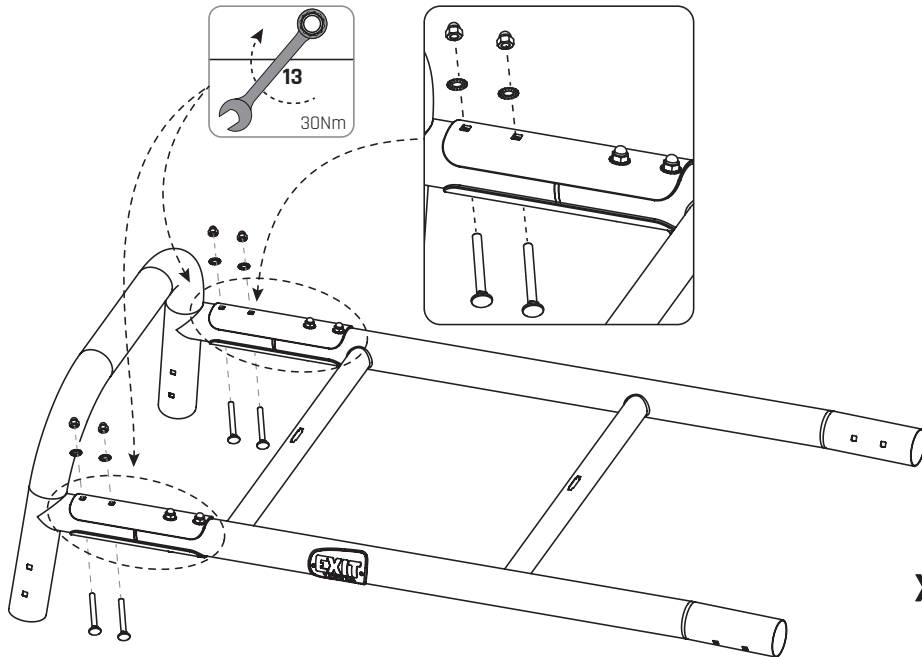
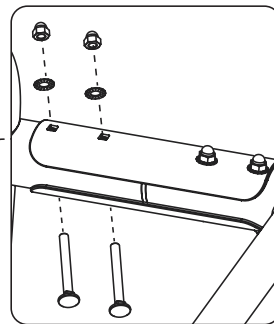
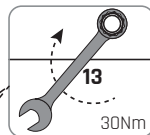
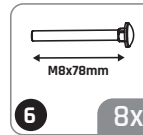
2



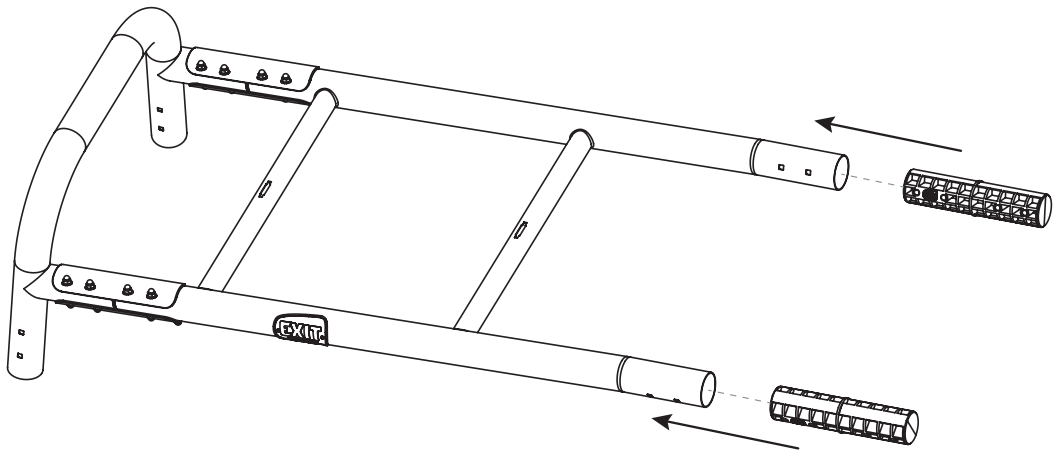
3



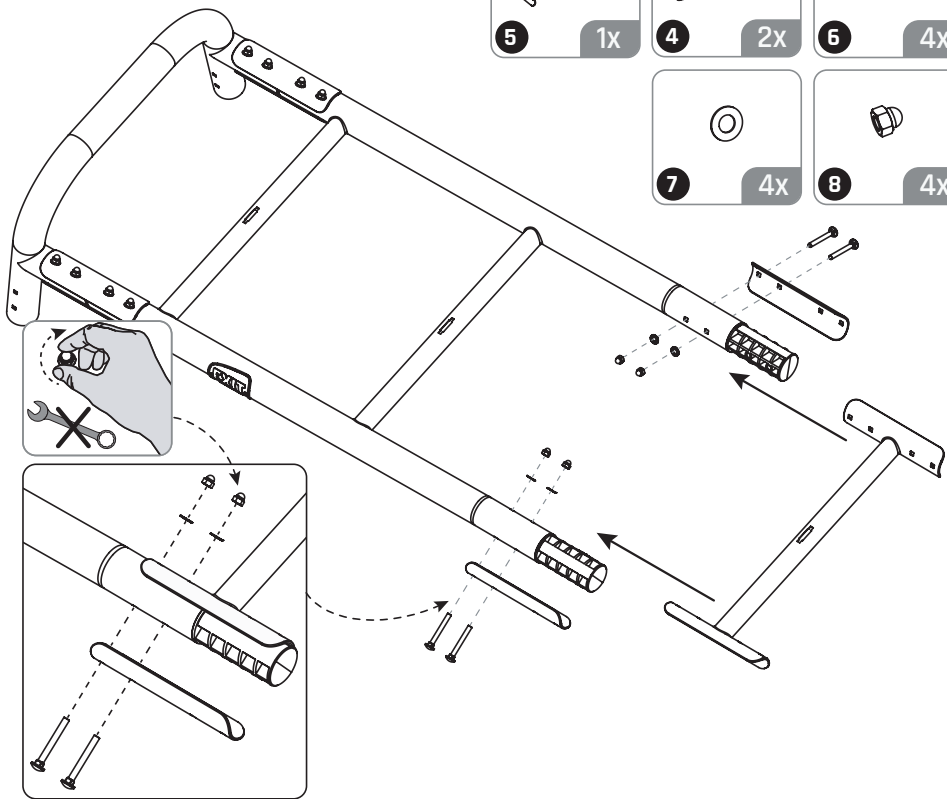
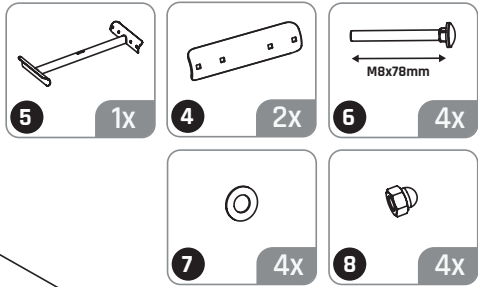
4



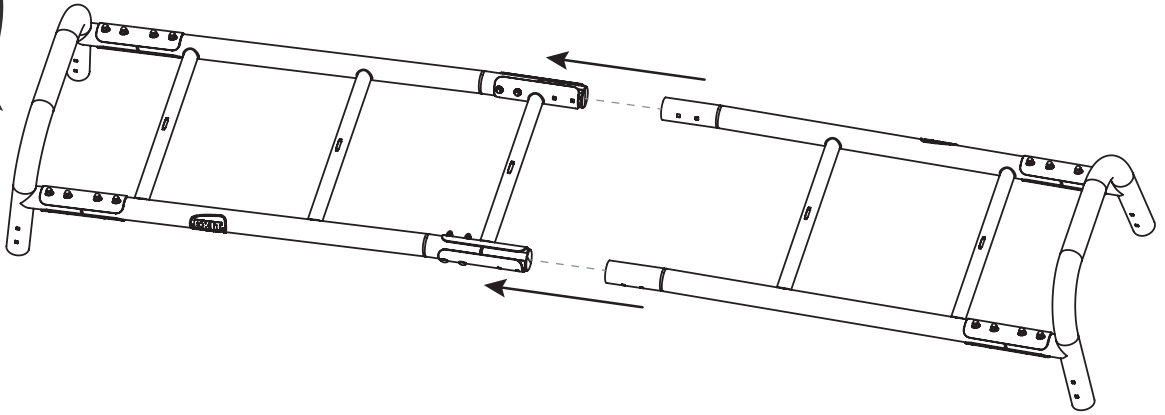
5



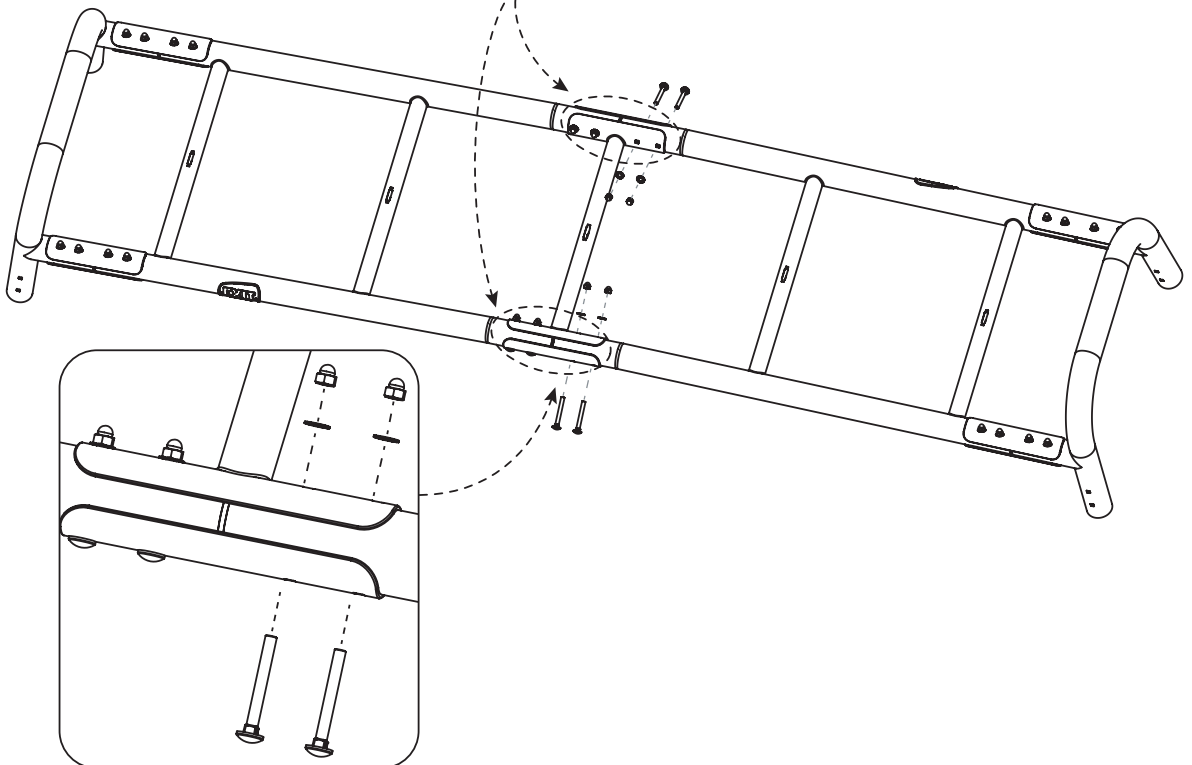
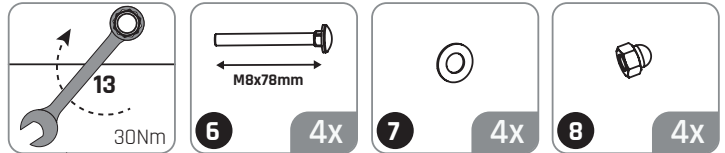
6



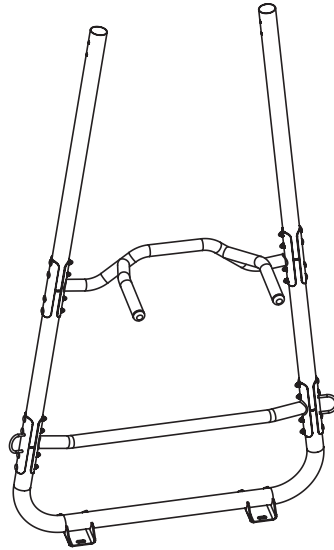
7



8







1



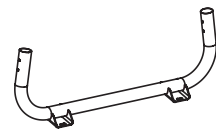
61.80.30.00 4X

2



61.80.30.10 2X

3



61.82.10.30 1X

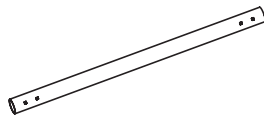
4



645mm

61.82.20.65 2X

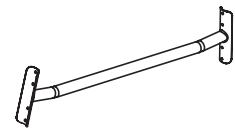
5



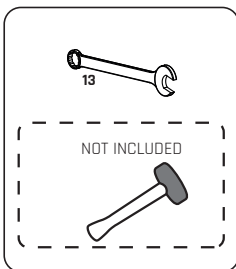
1060mm

61.82.21.06 2X

9



54.90.13.00 1X



10



54.90.16.00 2X

11



54.90.12.00 1X

6



M8x78mm

M8x78mm 16X

7



M8 16X

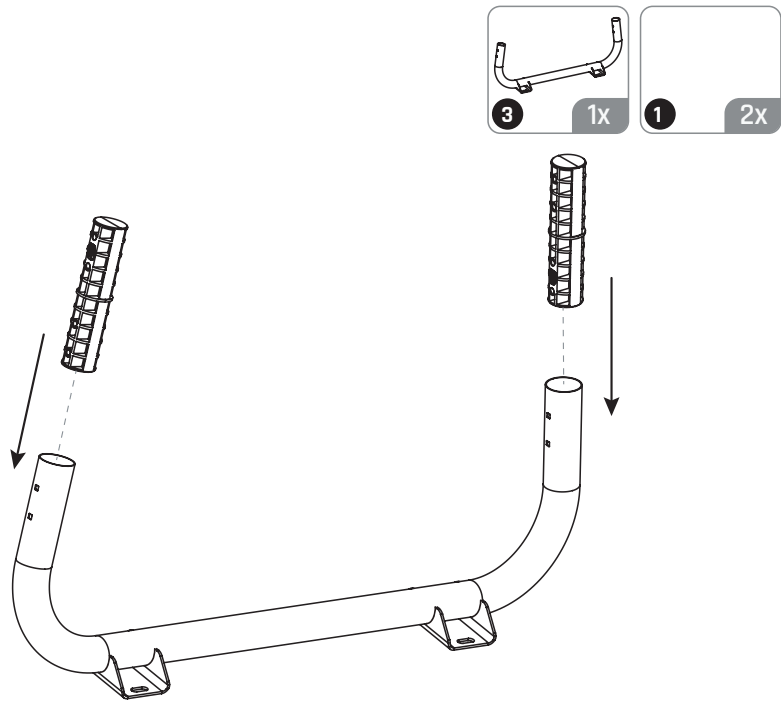
8



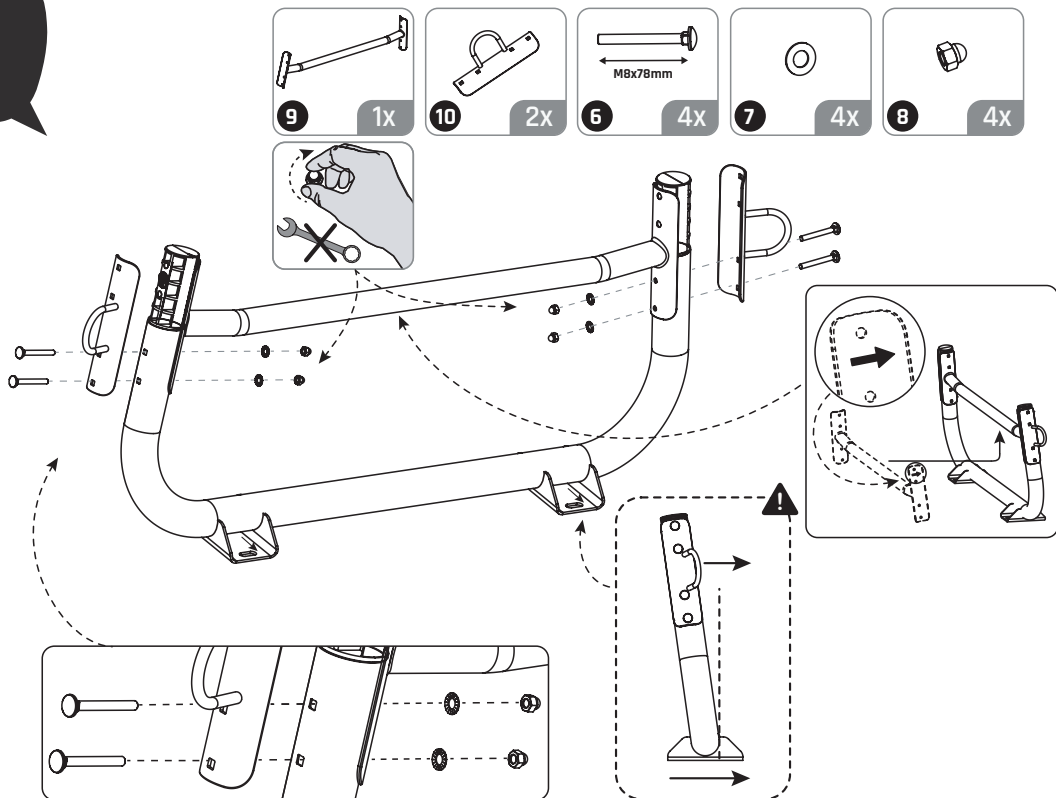
M8 16X

61.82.40.40 1X

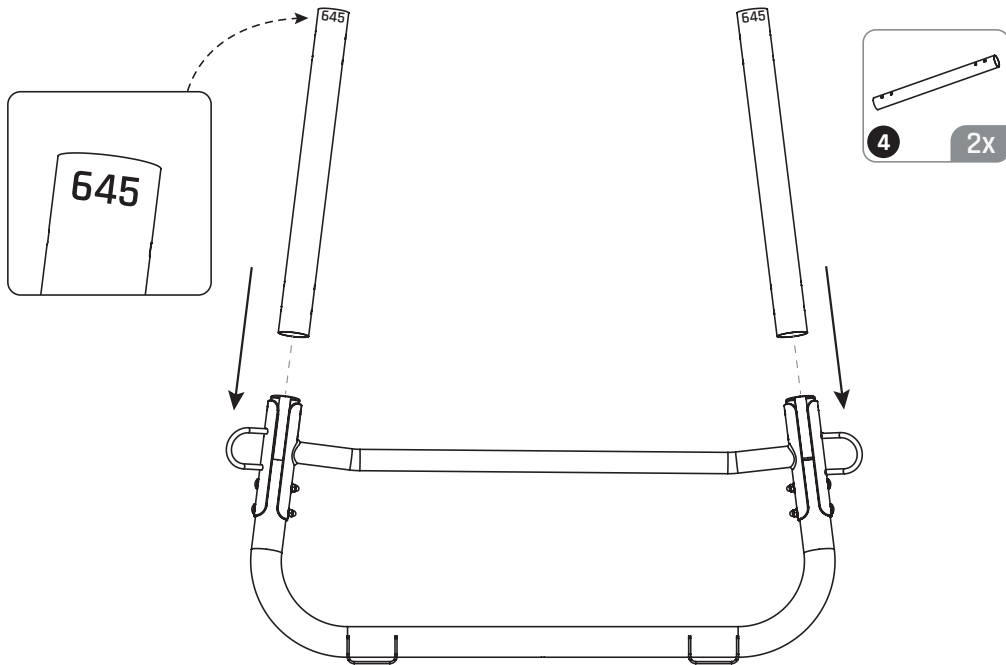
1



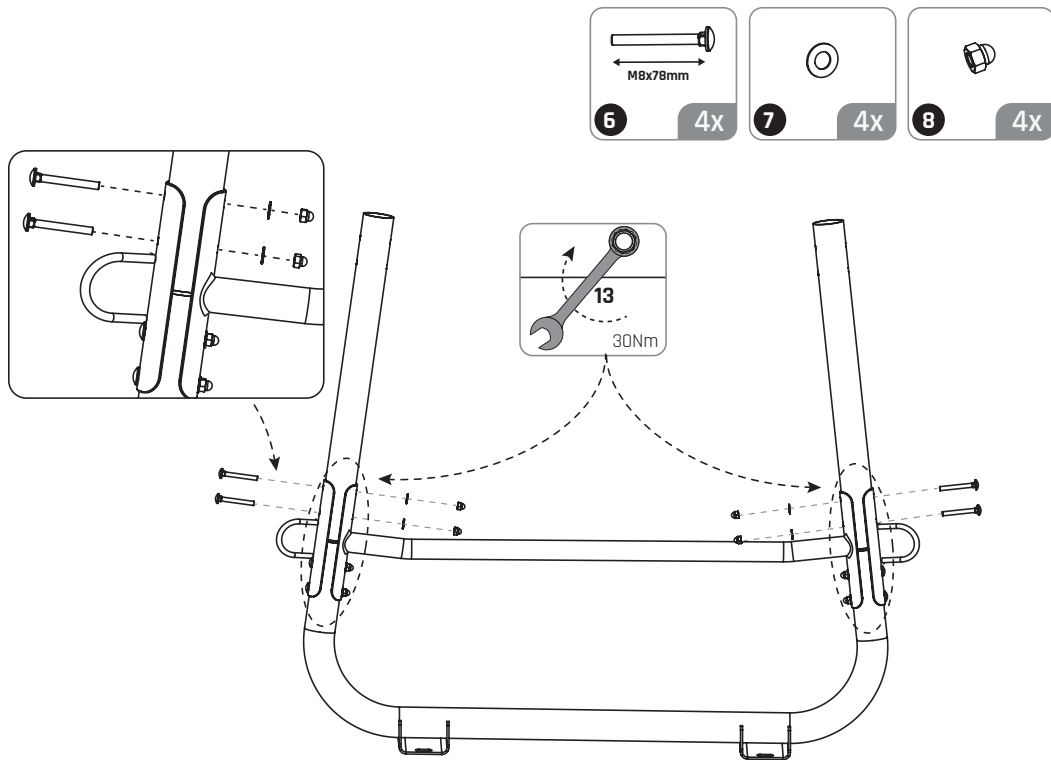
2



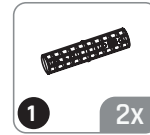
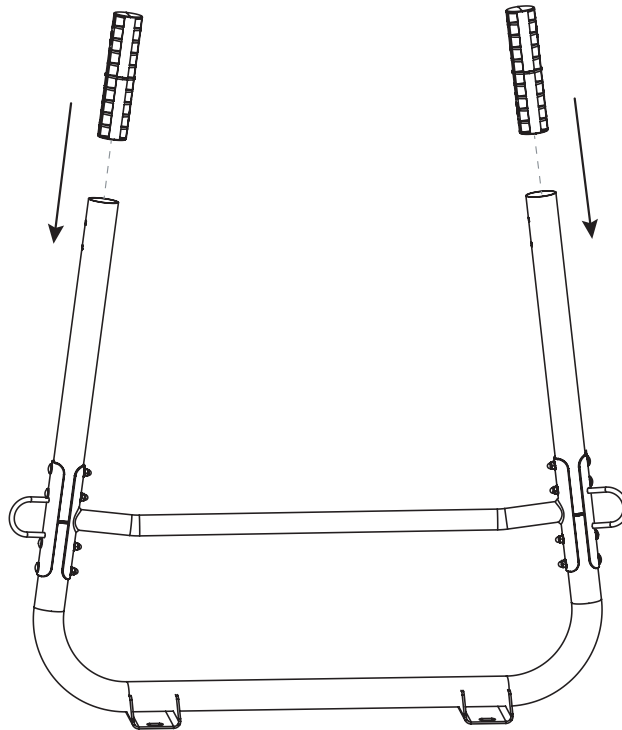
3



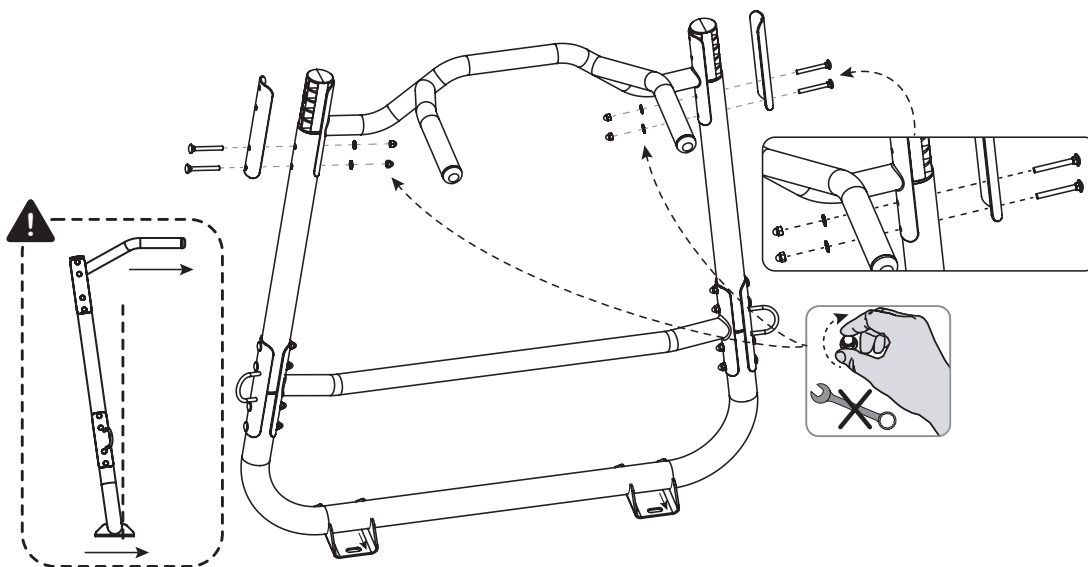
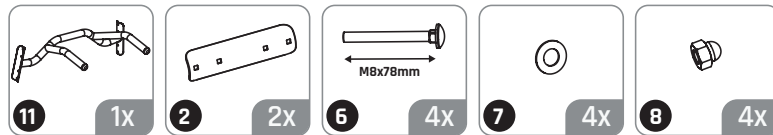
4



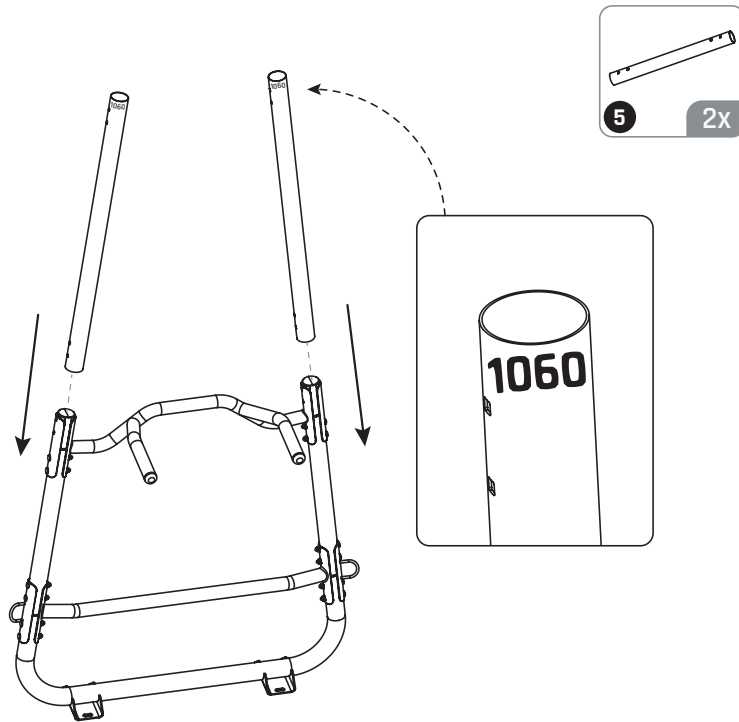
5



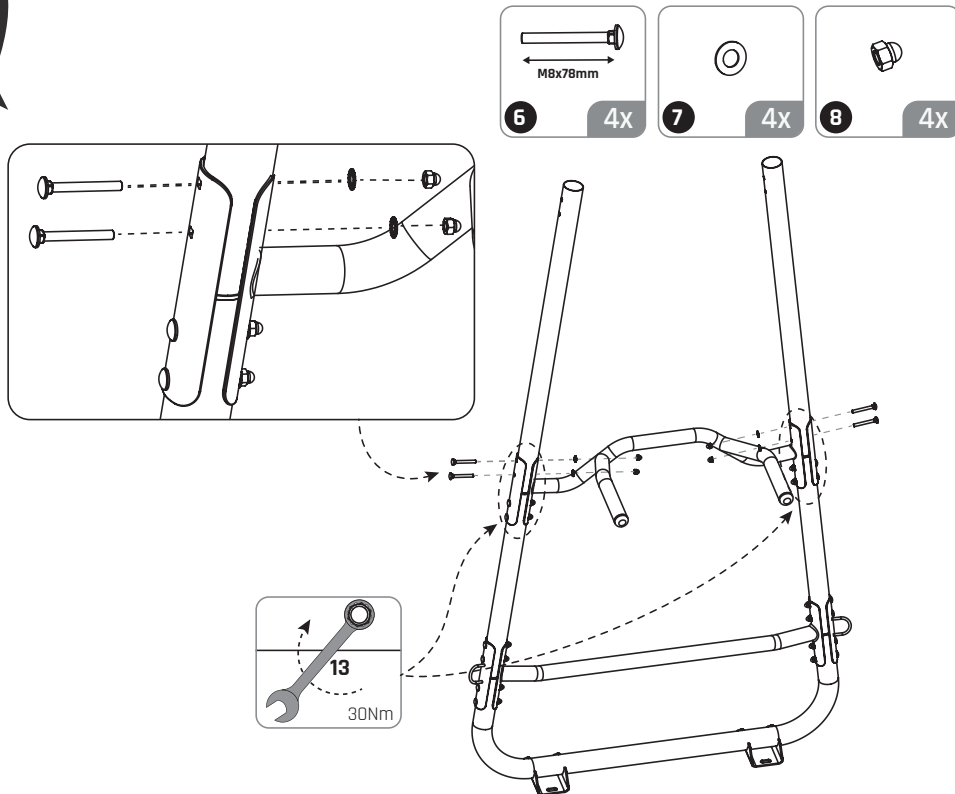
6



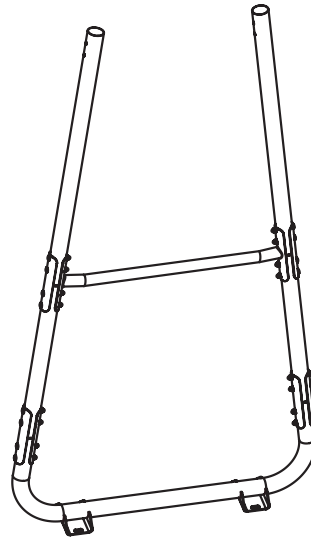
7



8







1



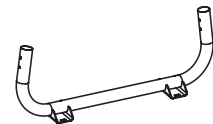
61.80.30.00 4X

2



61.80.30.10 6X

3



61.82.10.30 1X

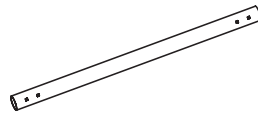
4



645mm

61.82.20.65 2X

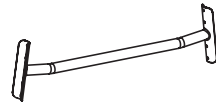
5



1060mm

61.82.21.06 2X

9



54.90.17.00 1X

6



M8x78mm

M8x78mm 16X

7



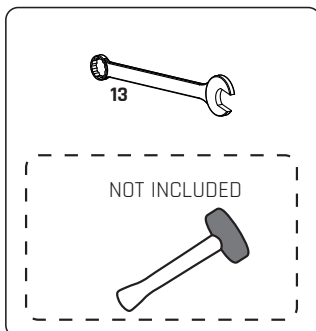
M8 16X

8

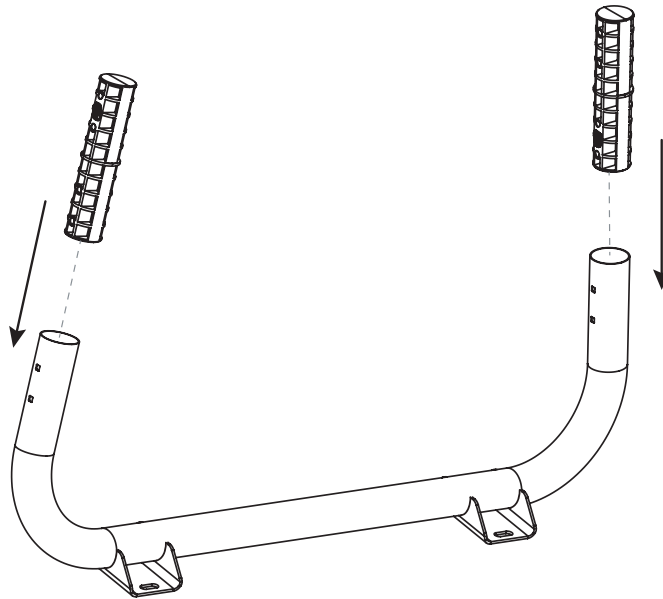
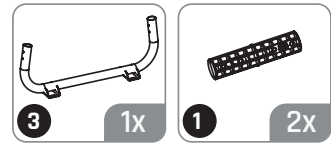


M8 16X

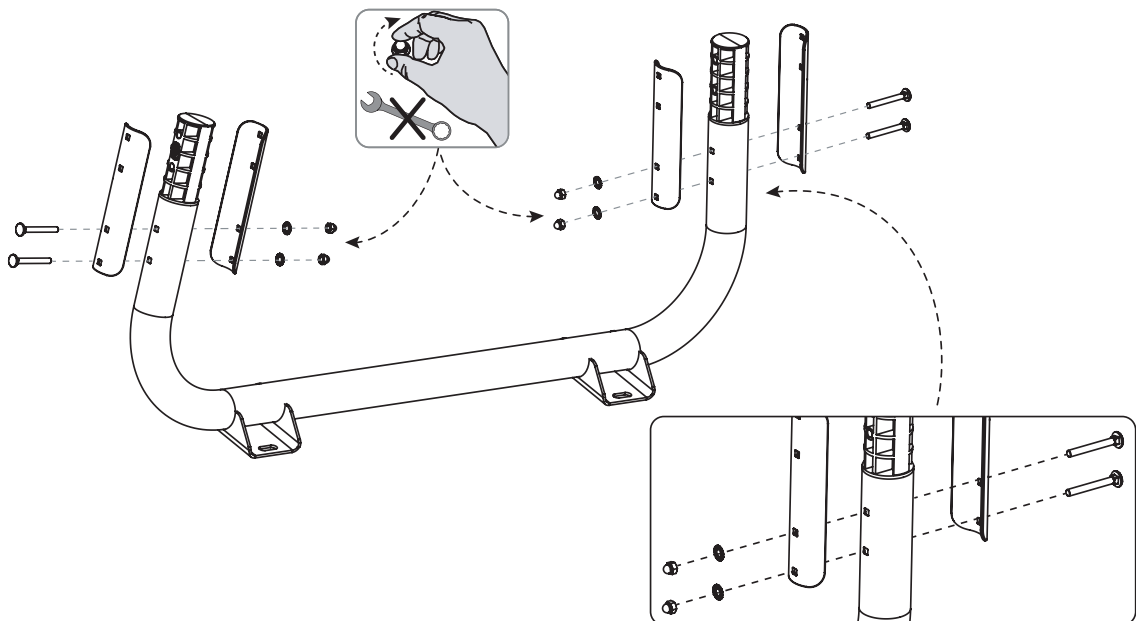
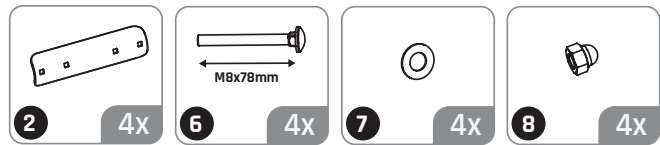
61.82.40.40 1X



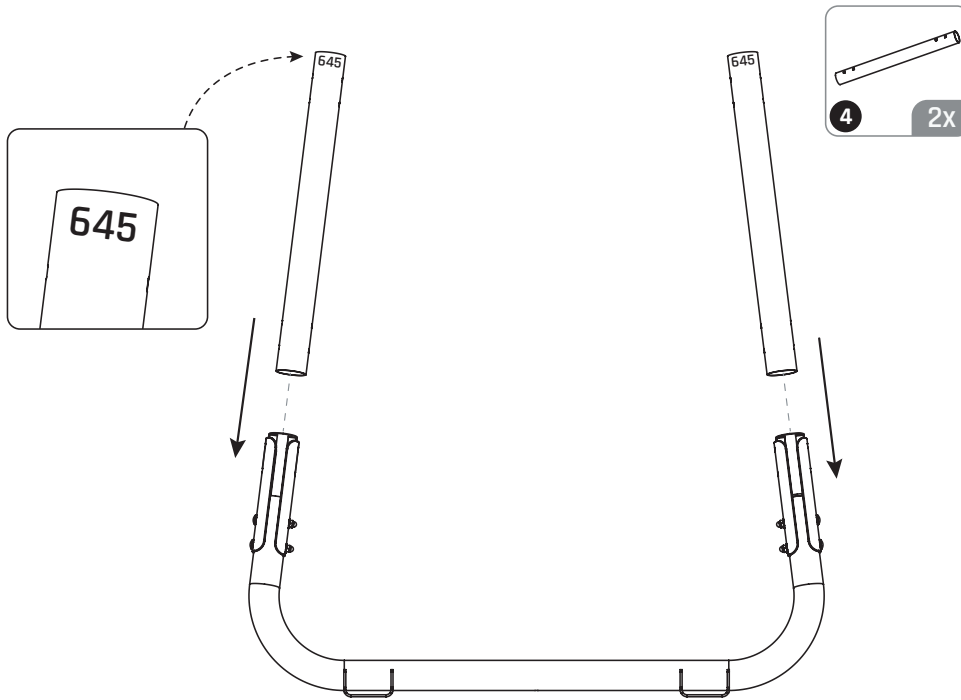
1



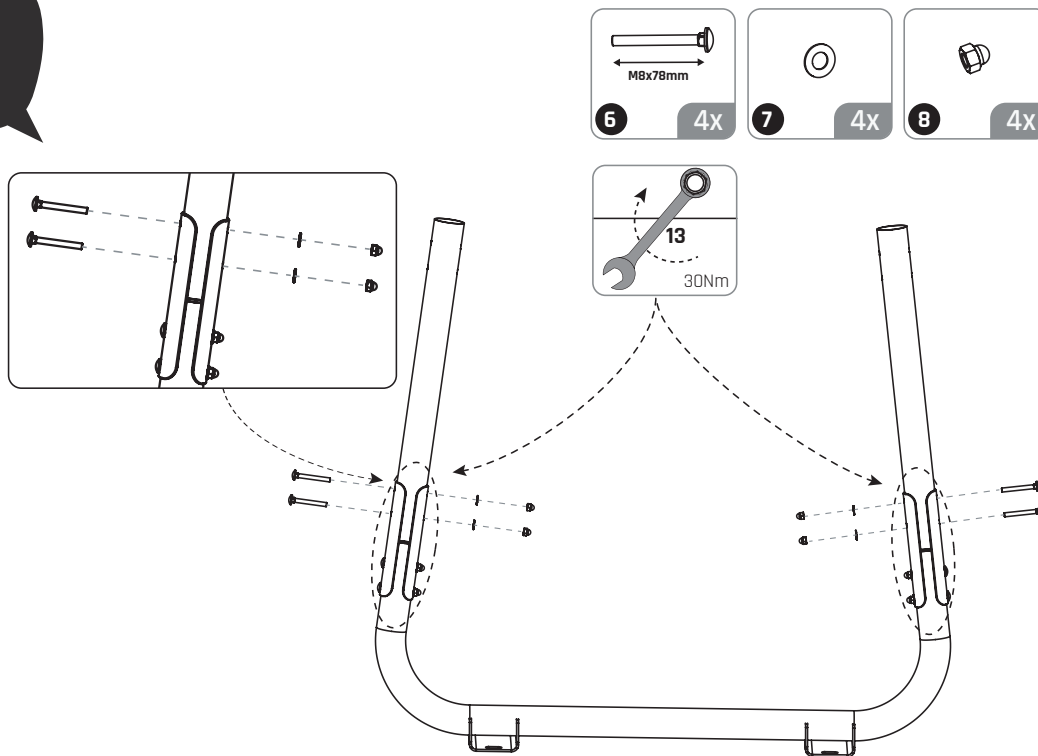
2



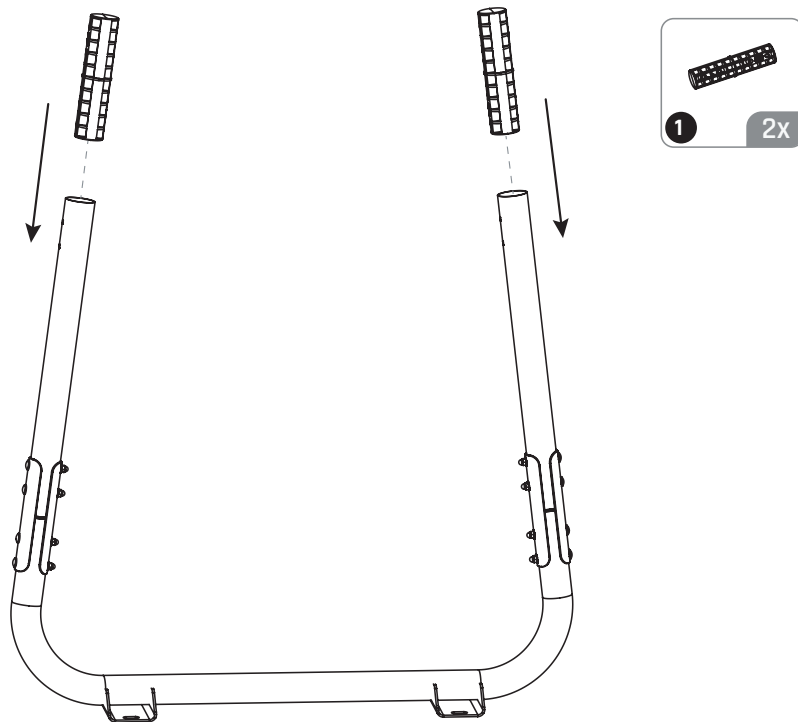
3



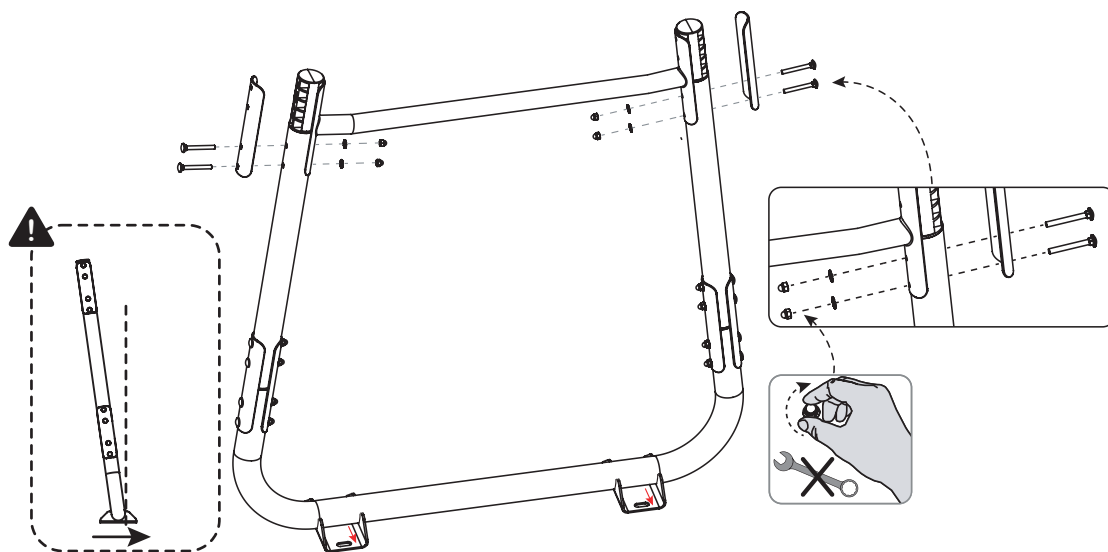
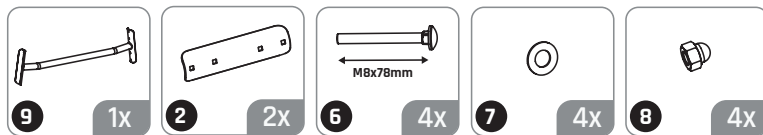
4



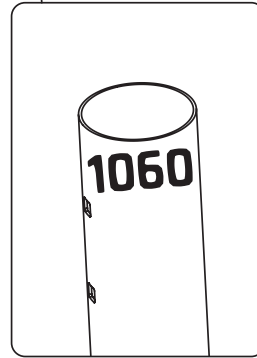
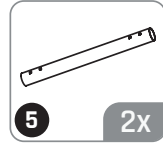
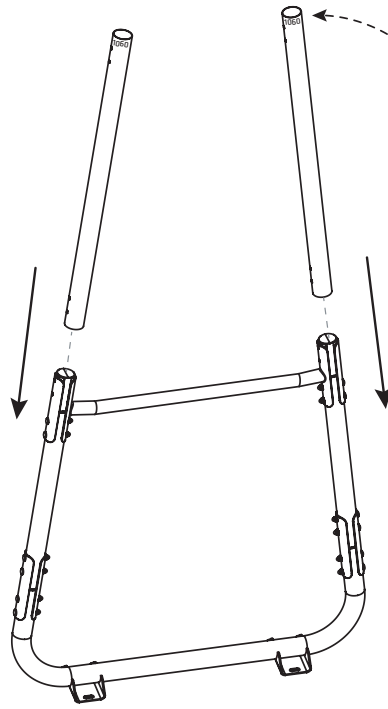
5



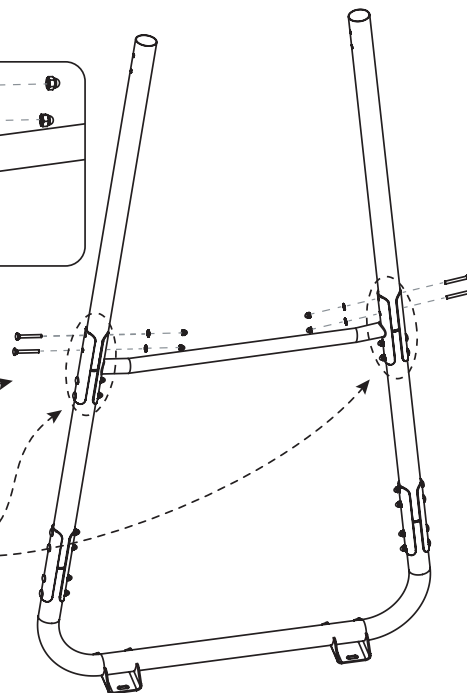
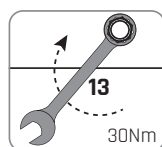
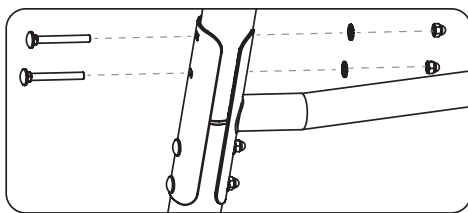
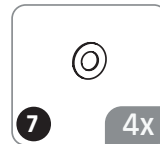
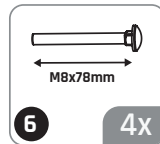
6



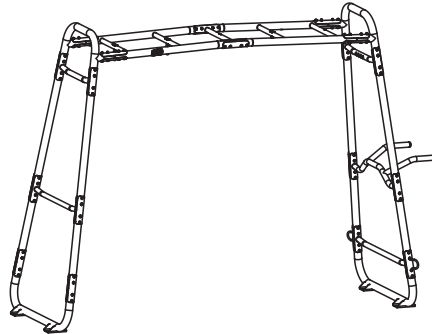
7



8





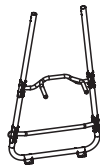


1



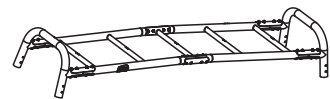
1X

2



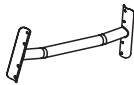
1X

3



1X

4



61.82.10.40 2X

5



61.80.30.10 4X

6



61.80.30.00 4X

7

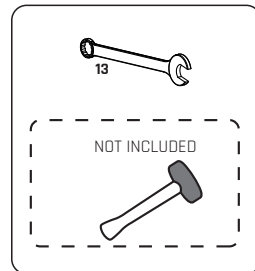


61.80.30.40 3X

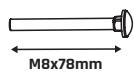
8



61.80.30.50 3X



9



M8x78mm 16X

10



M8 16X

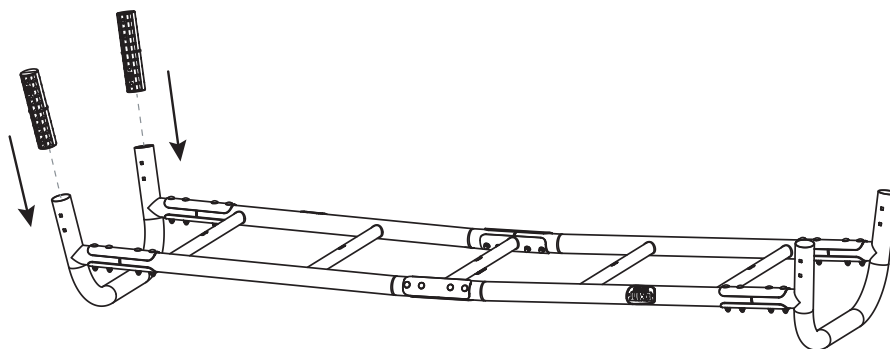
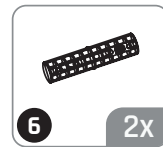
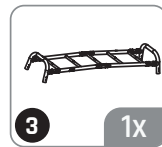
11



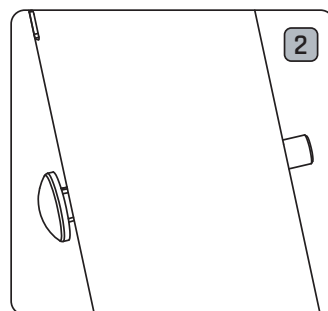
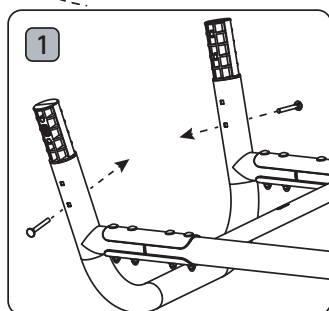
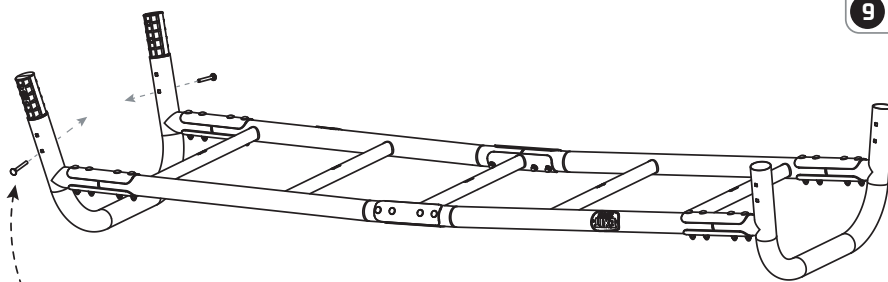
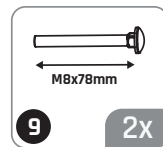
M8 16X

61.82.40.40 1X

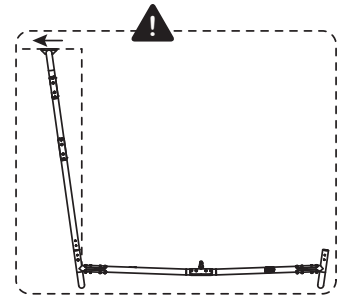
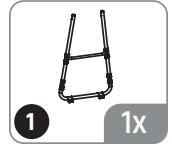
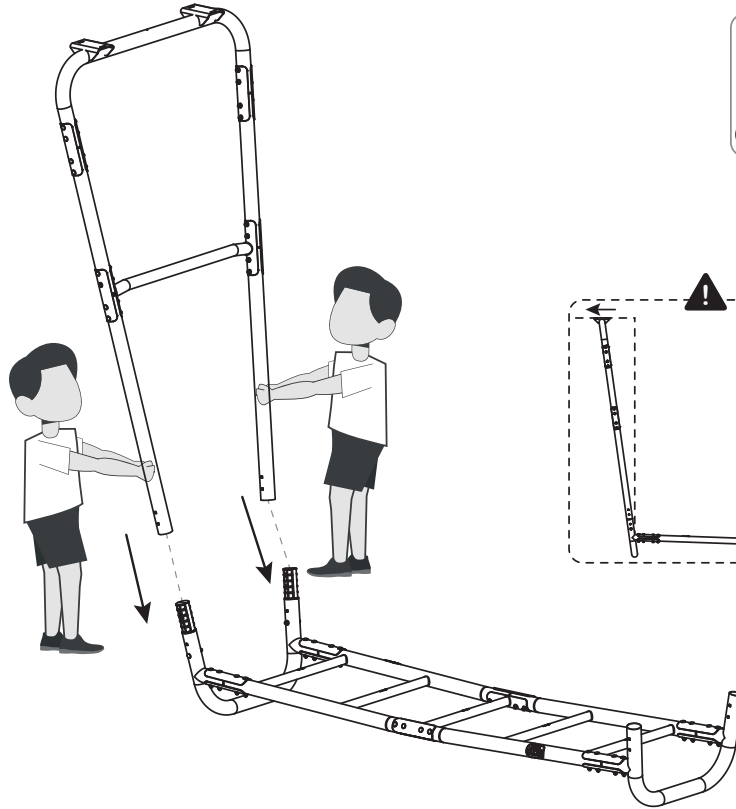
1



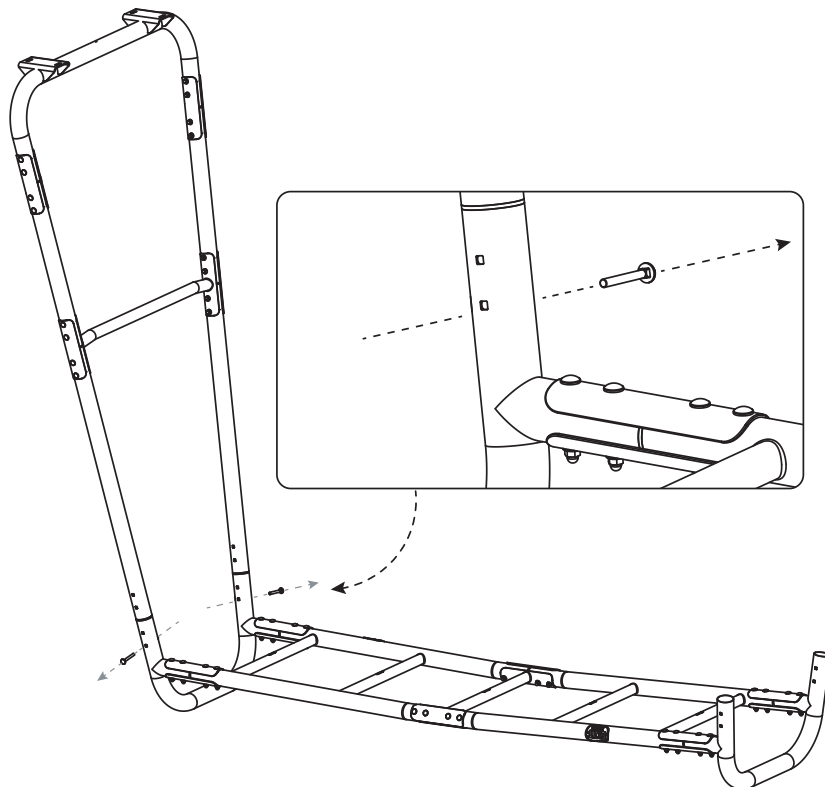
2




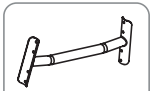
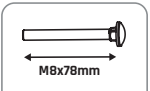


3

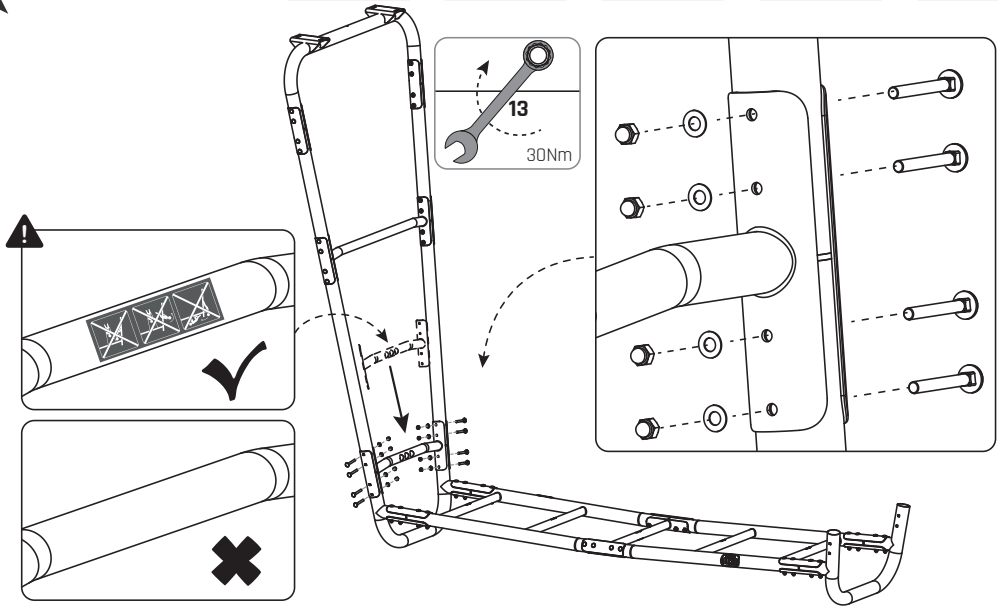


4




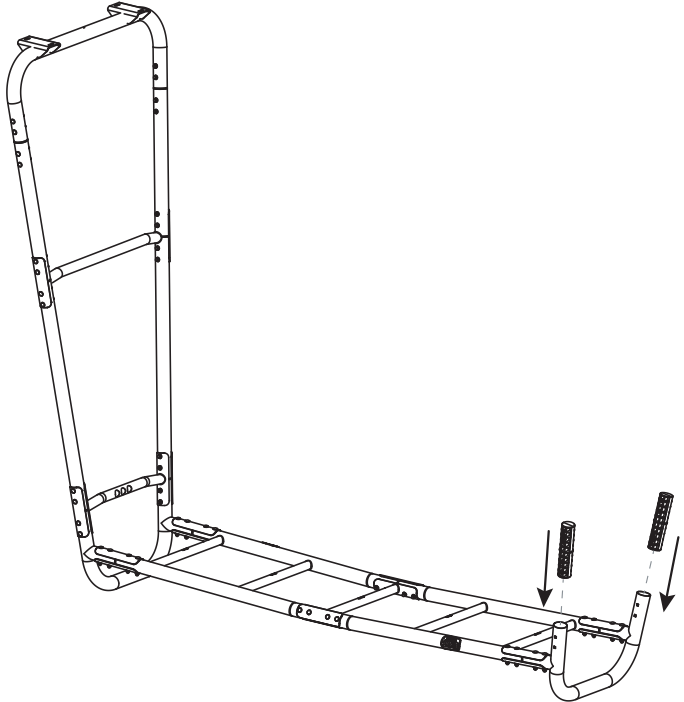
5

- 
5 2x
- 
4 1x
- 
9 8x
M8x78mm
- 
10 8x
- 
11 8x

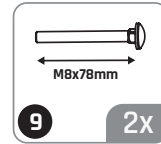
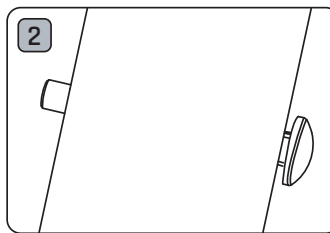
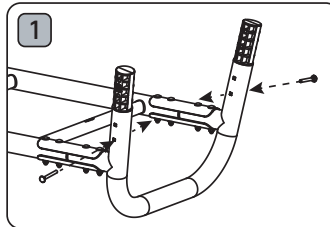
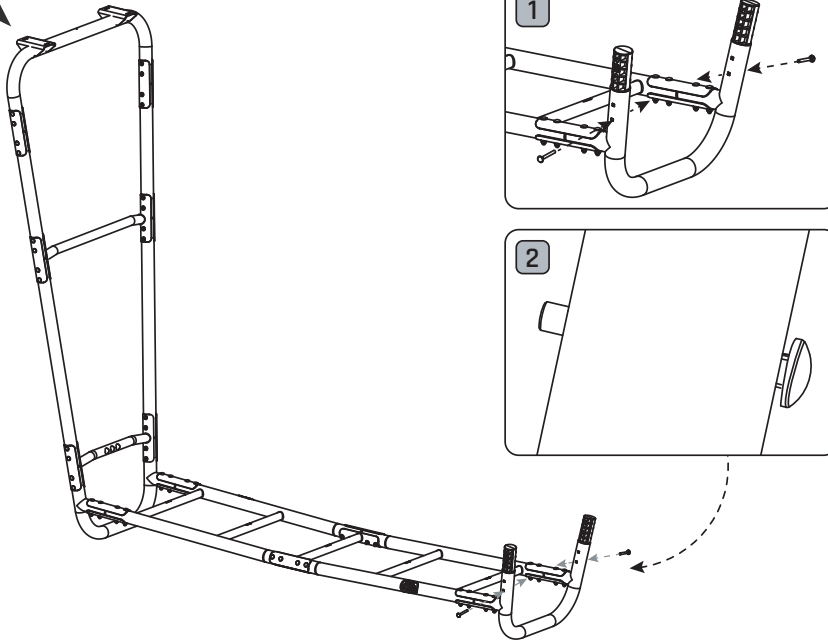


6

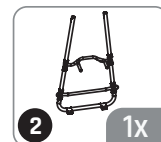
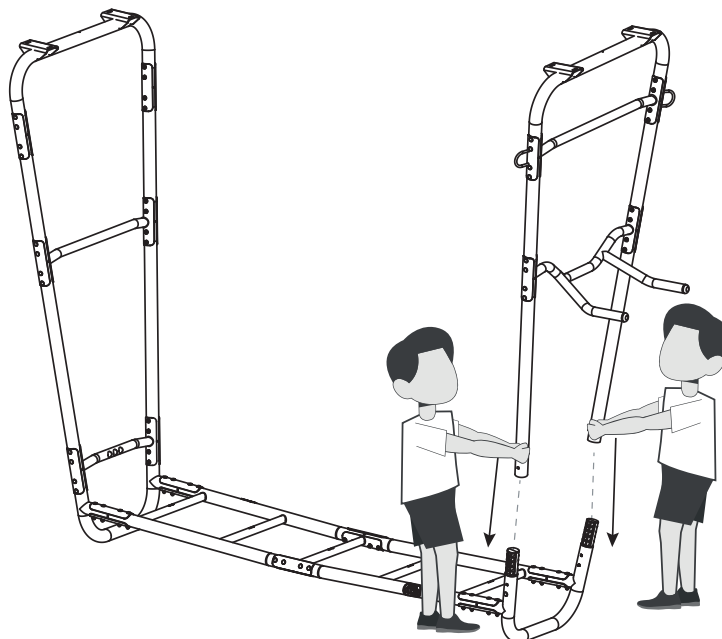
- 
6 2x



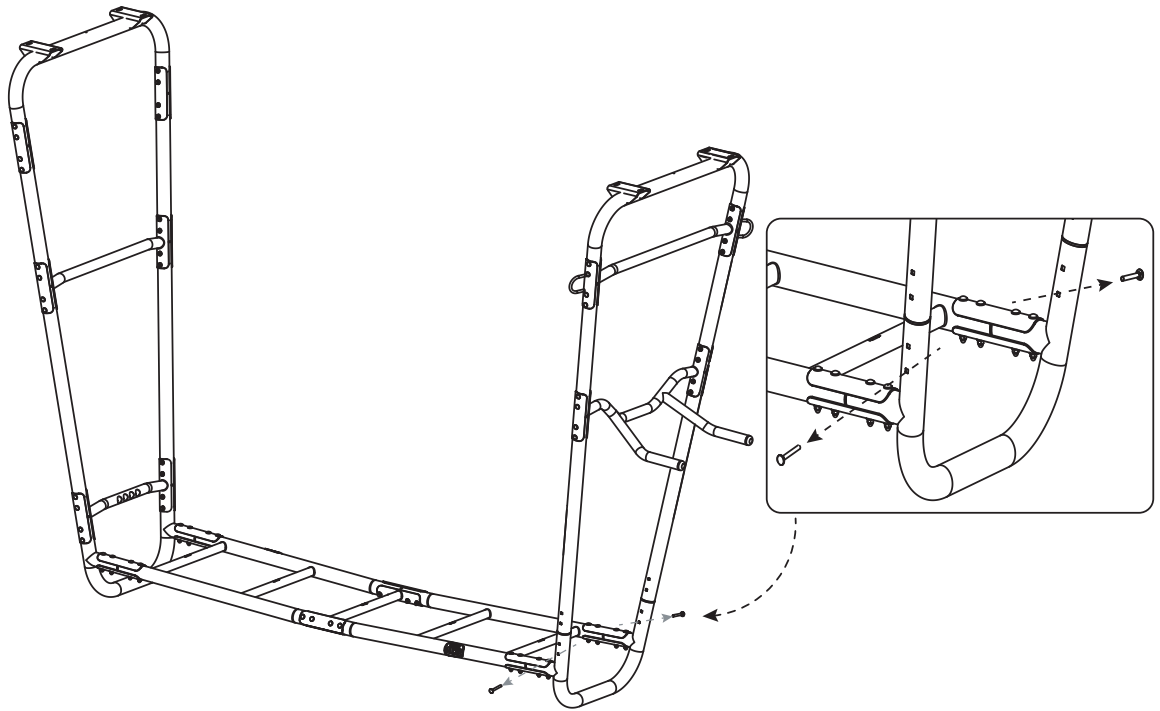
7



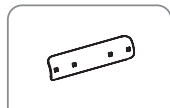
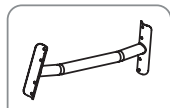
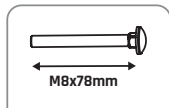

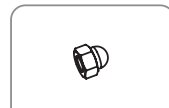
8

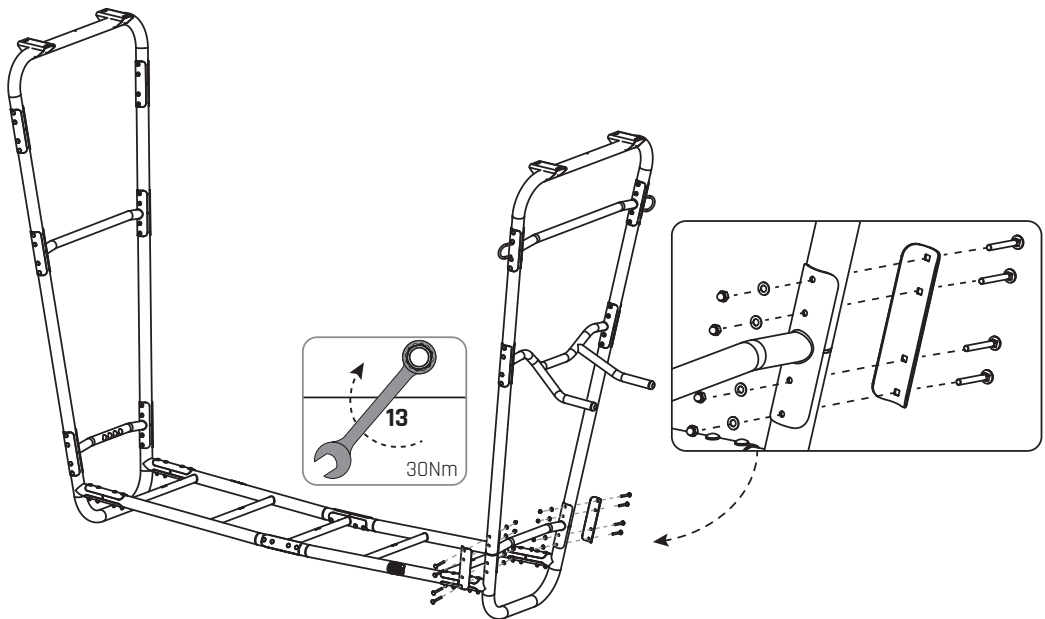


9

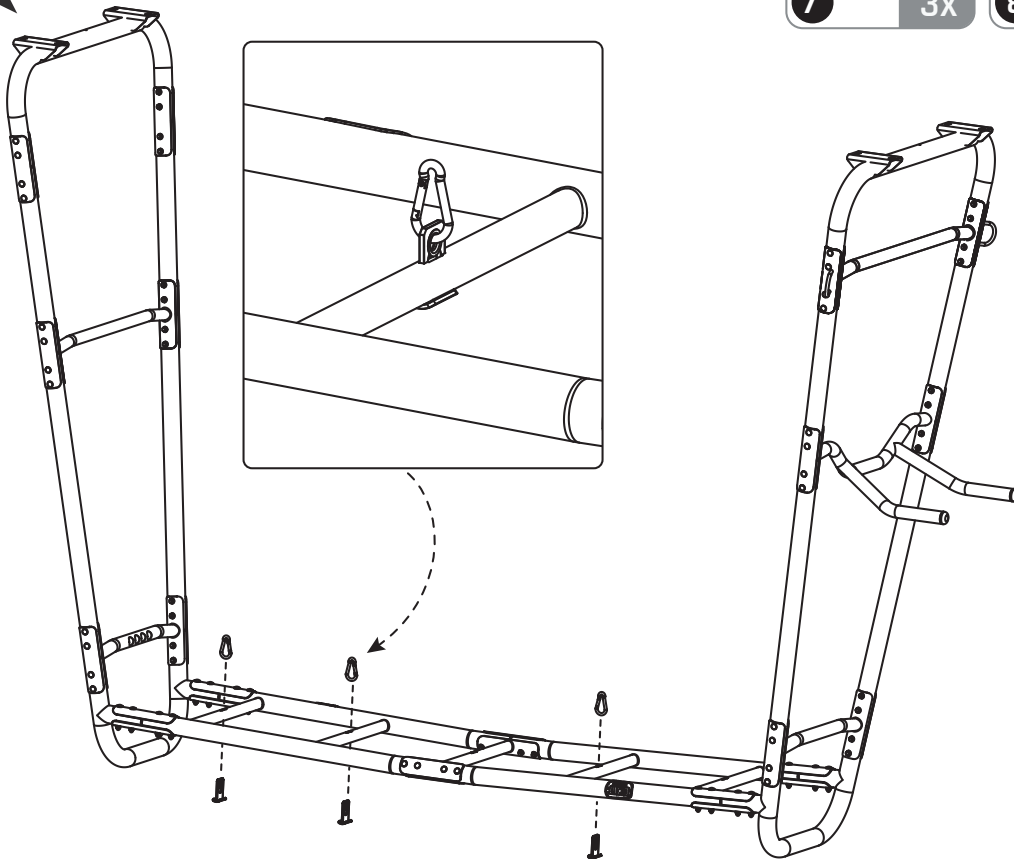
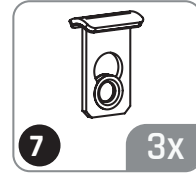


10

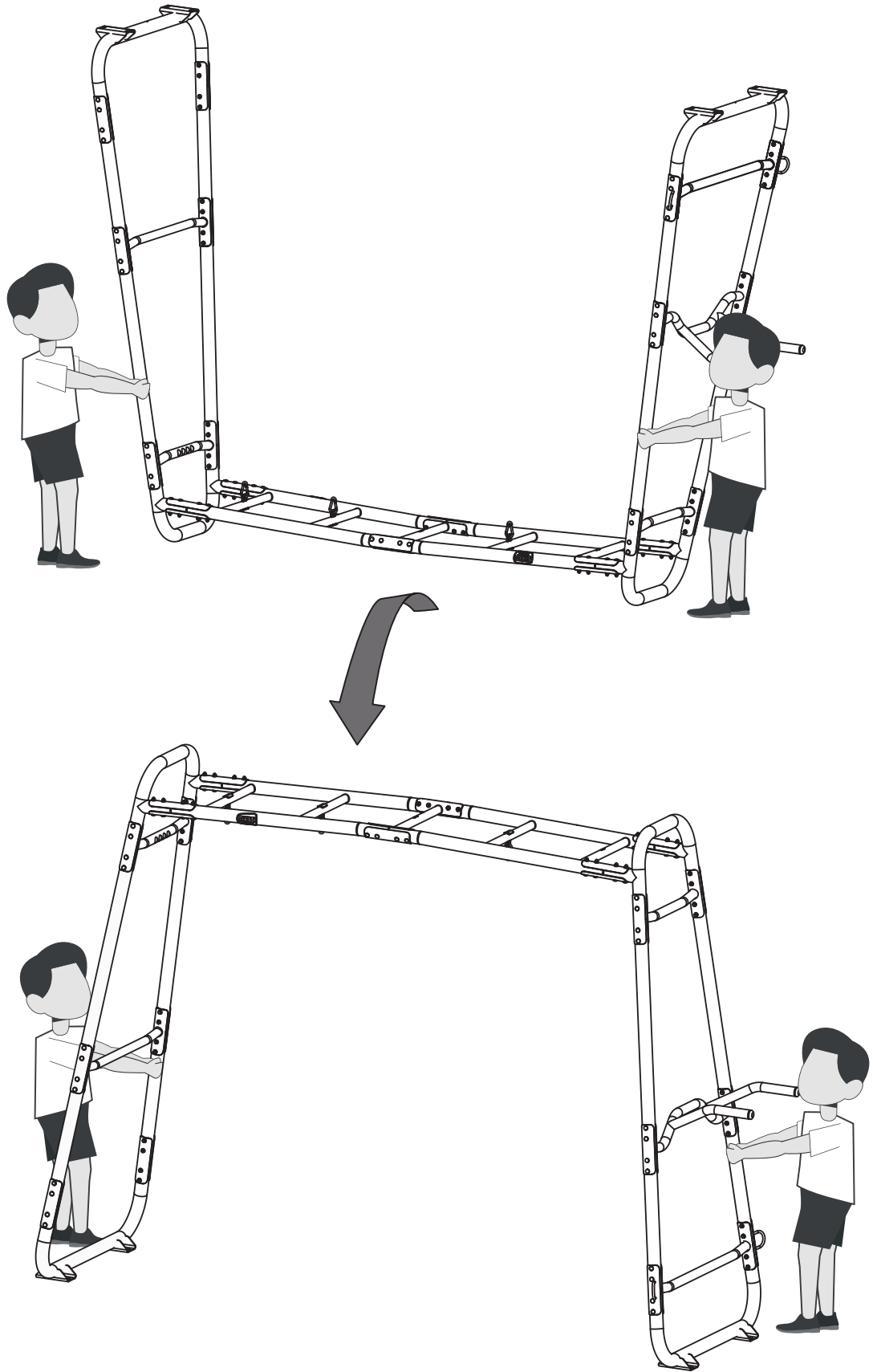
- | | | | | |
|---|---|--|---|---|
|  |  |  |  |  |
| 5 | 4 | 9 | 10 | 11 |
| 2x | 1x | 8x | 8x | 8x |
- M8x78mm



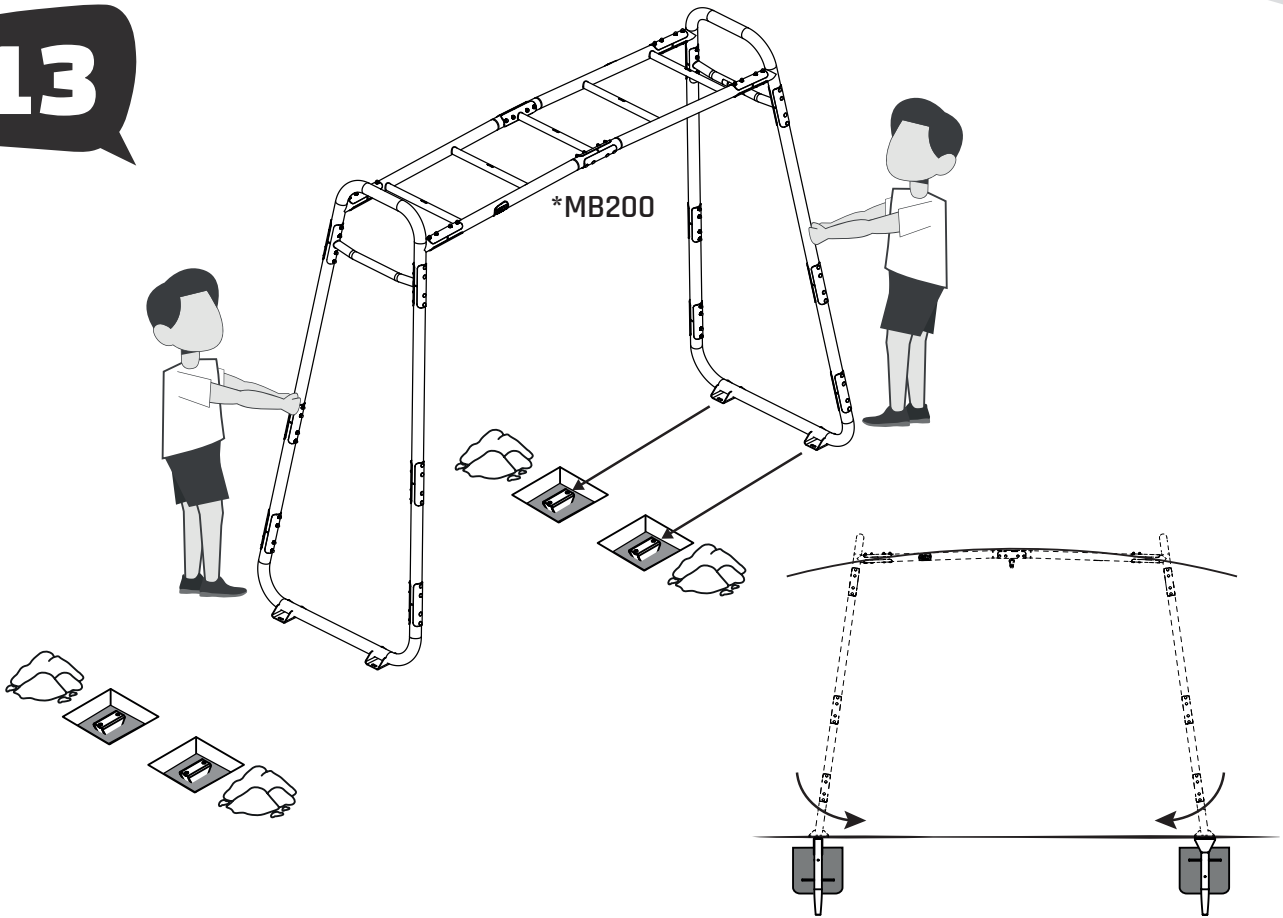
11



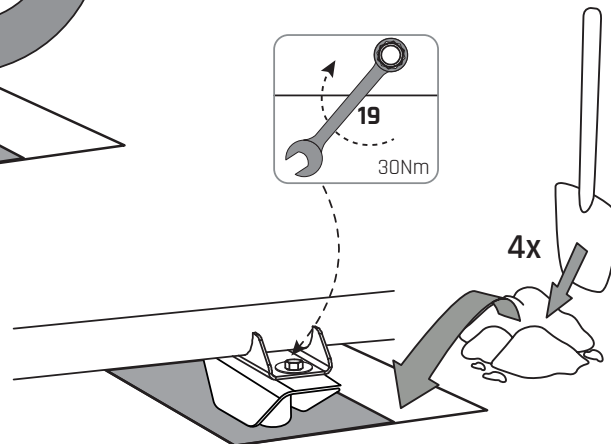
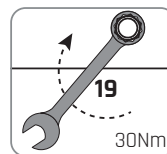
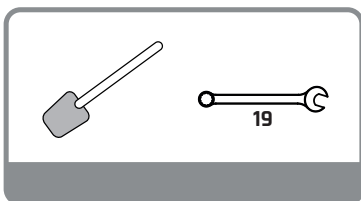
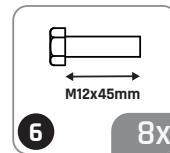
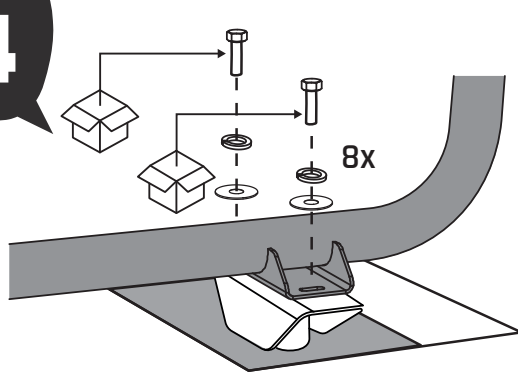
12

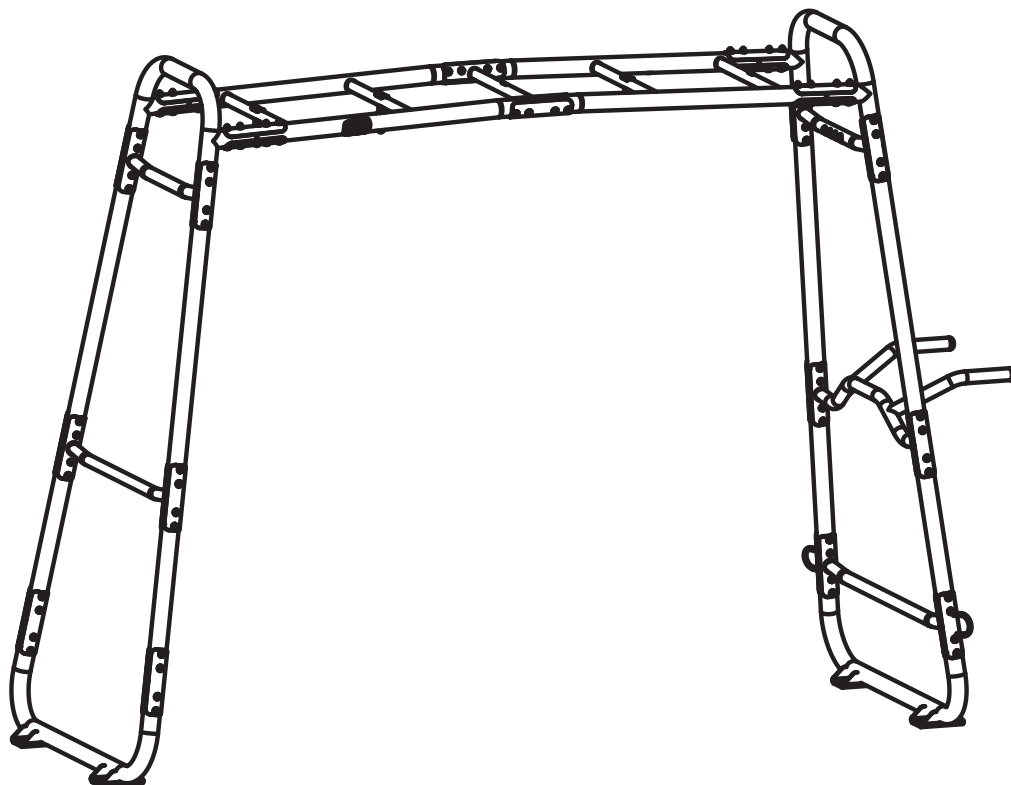
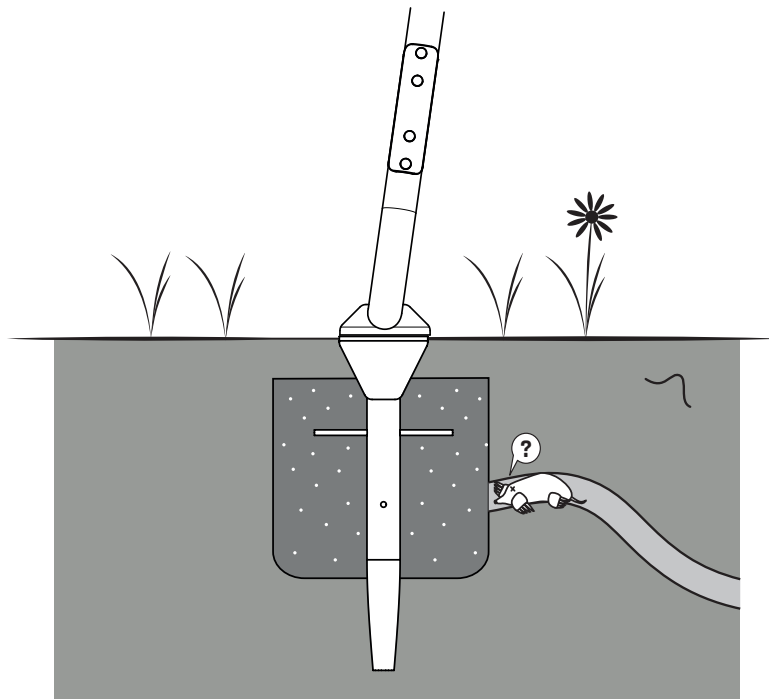


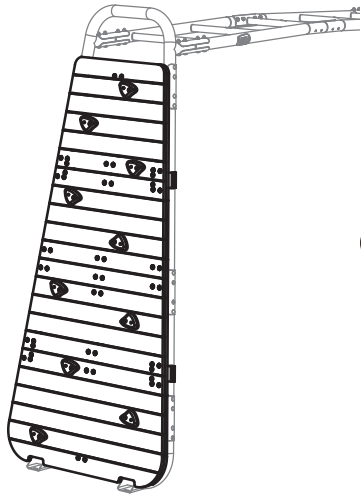
13



14







1

A B C D

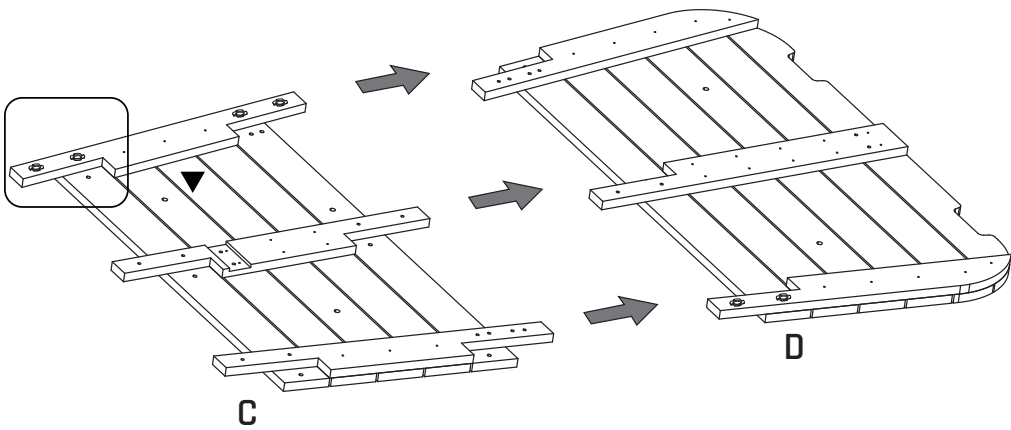
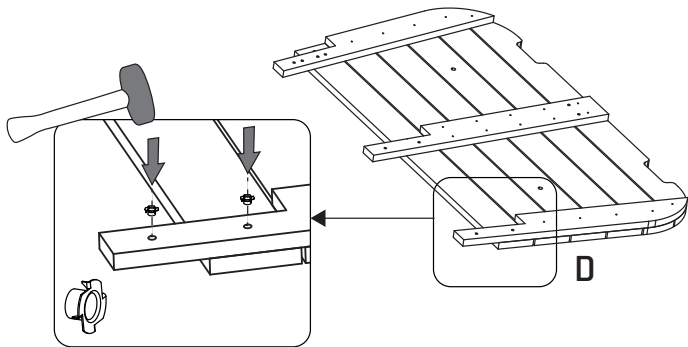
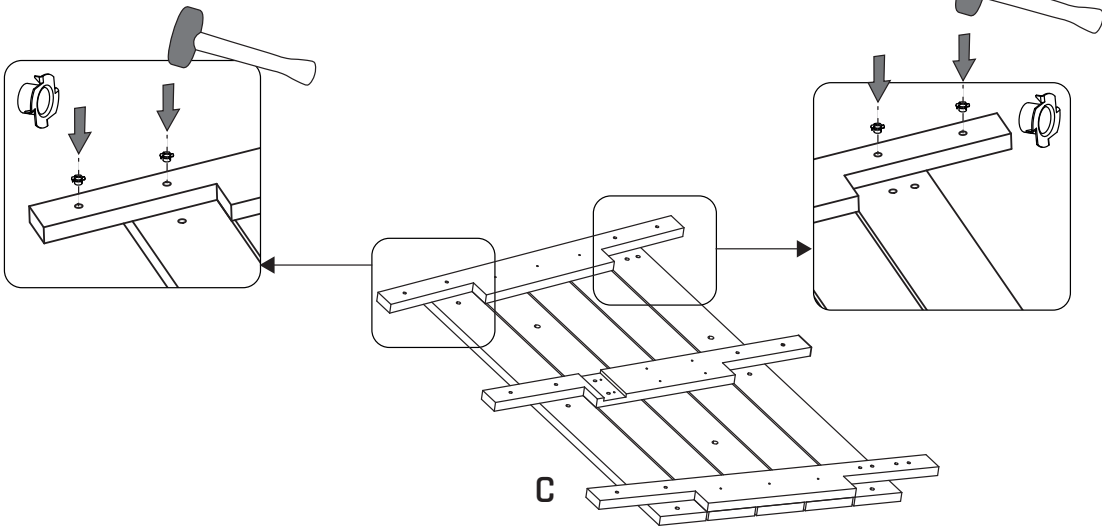
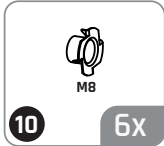
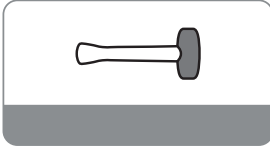
61.90.20.00	1X	61.90.20.10	1X	61.90.20.20	1X	61.90.20.30	1X
-------------	----	-------------	----	-------------	----	-------------	----

<p>2</p> <p>M8x35mm</p> <table border="1"> <tr> <td>M8x35mm</td> <td>2X</td> </tr> </table>	M8x35mm	2X	<p>3</p> <p>M8x40mm</p> <table border="1"> <tr> <td>M8x40mm</td> <td>2X</td> </tr> </table>	M8x40mm	2X	<p>4</p> <p>M8x45mm</p> <table border="1"> <tr> <td>M8x45mm</td> <td>24X</td> </tr> </table>	M8x45mm	24X	<p>5</p> <p>M8x50mm</p> <table border="1"> <tr> <td>M8x50mm</td> <td>10X</td> </tr> </table>	M8x50mm	10X			
M8x35mm	2X													
M8x40mm	2X													
M8x45mm	24X													
M8x50mm	10X													
<p>6</p> <p>M8</p> <table border="1"> <tr> <td>M8</td> <td>48X</td> </tr> </table>	M8	48X	<p>7</p> <p>M8</p> <table border="1"> <tr> <td>M8</td> <td>38X</td> </tr> </table>	M8	38X	<p>8</p> <p>x7</p> <table border="1"> <tr> <td>54.90.20.10</td> <td>1X</td> </tr> </table>	54.90.20.10	1X	<p>9</p> <table border="1"> <tr> <td>61.90.46.00</td> <td>10X</td> </tr> </table>	61.90.46.00	10X			
M8	48X													
M8	38X													
54.90.20.10	1X													
61.90.46.00	10X													
<p>10</p> <p>M8</p> <table border="1"> <tr> <td>M8</td> <td>12X</td> </tr> </table>	M8	12X	<p>11</p> <p>M8x40mm</p> <table border="1"> <tr> <td>M8x40mm</td> <td>12X</td> </tr> </table>	M8x40mm	12X	<p>12</p> <p>M10x35mm</p> <table border="1"> <tr> <td>M10x35mm</td> <td>10X</td> </tr> </table>	M10x35mm	10X	<p>13</p> <p>st3.5x25mm</p> <table border="1"> <tr> <td>st3.5x25mm</td> <td>10X</td> </tr> </table>	st3.5x25mm	10X	<p>14</p> <p>M10</p> <table border="1"> <tr> <td>M10</td> <td>10X</td> </tr> </table>	M10	10X
M8	12X													
M8x40mm	12X													
M10x35mm	10X													
st3.5x25mm	10X													
M10	10X													
<table border="1"> <tr> <td>61.90.20.40</td> <td>1X</td> </tr> </table>		61.90.20.40	1X	<table border="1"> <tr> <td>61.90.46.10</td> <td>1X</td> </tr> </table>		61.90.46.10	1X							
61.90.20.40	1X													
61.90.46.10	1X													

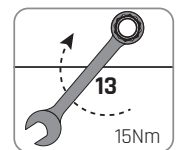
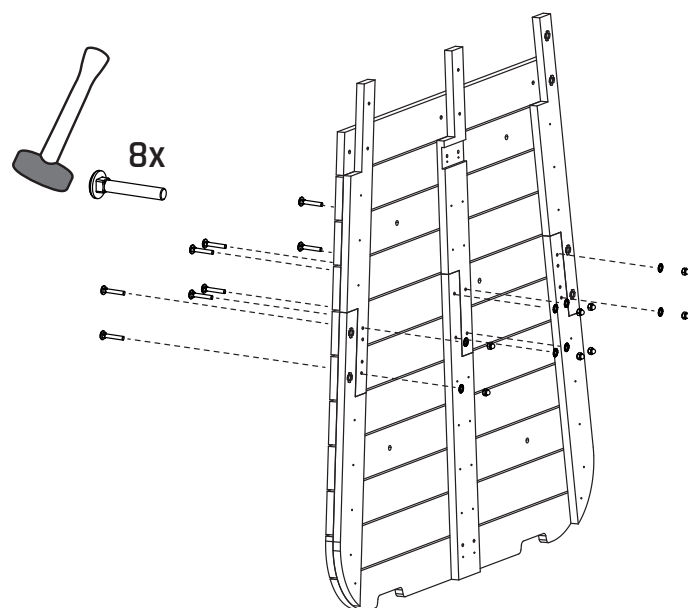
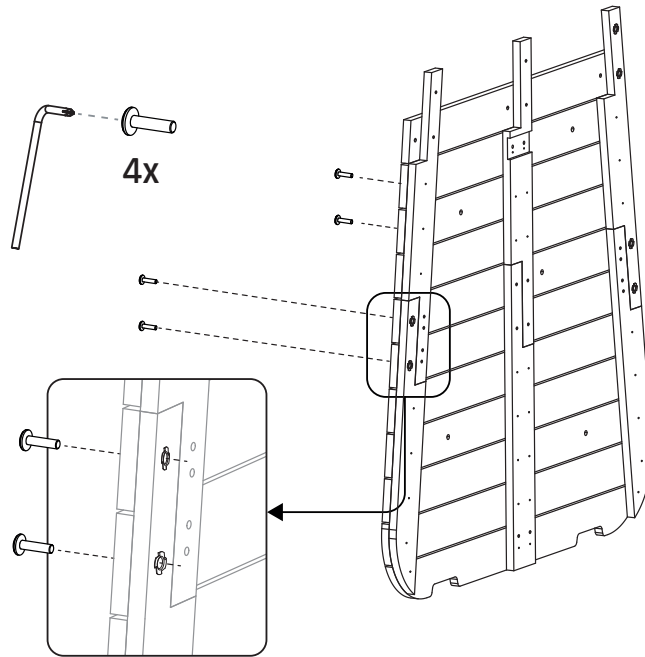
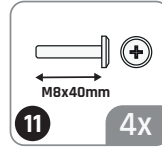
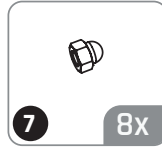
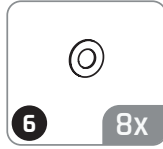
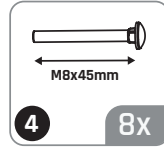
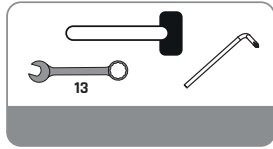
13

NOT INCLUDED

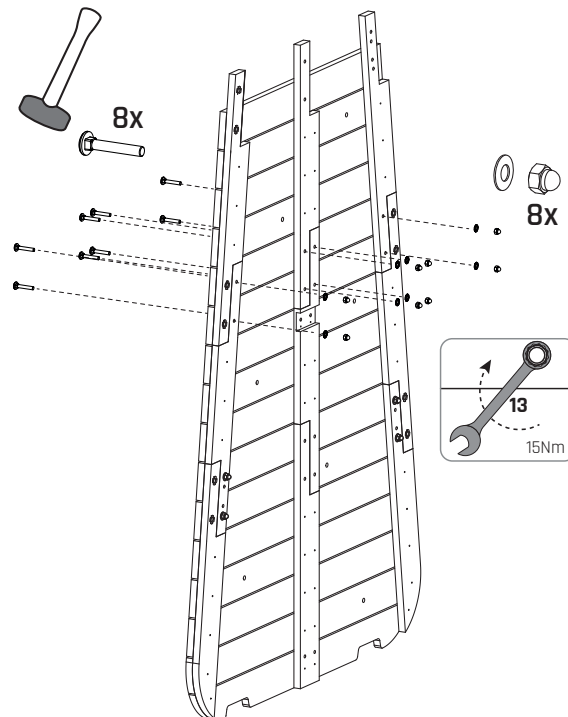
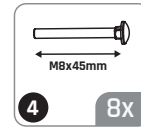
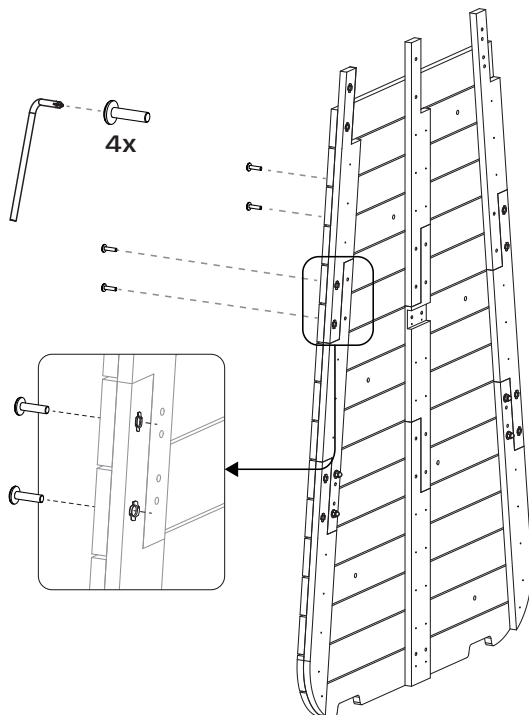
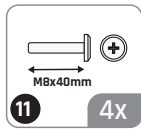
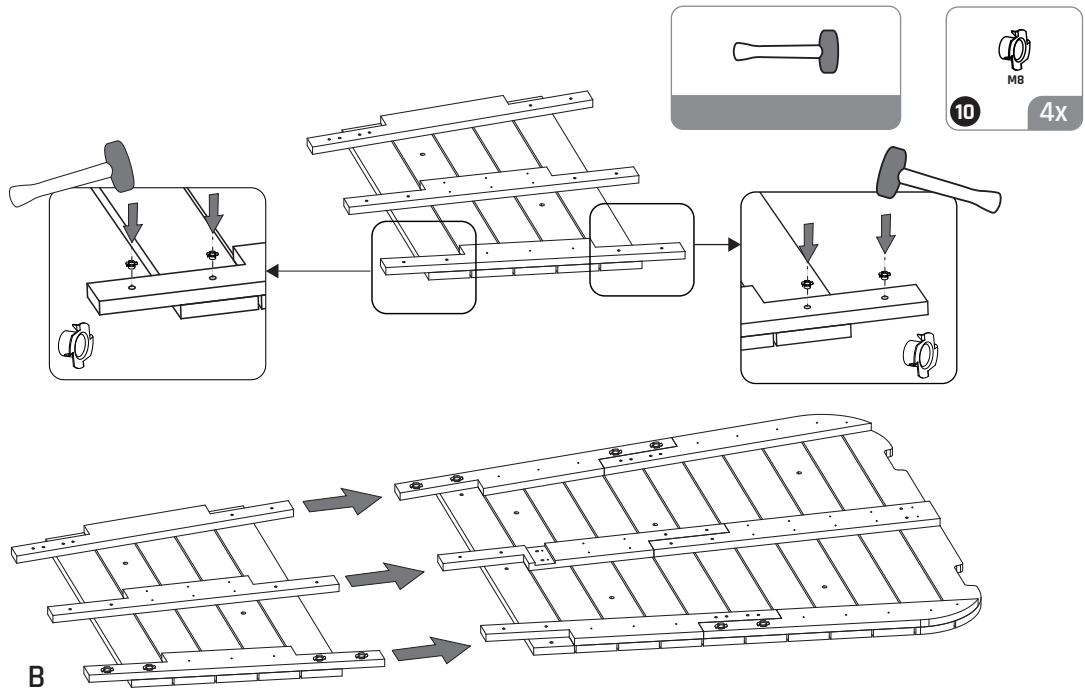
1

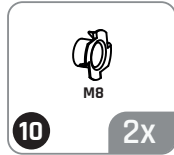
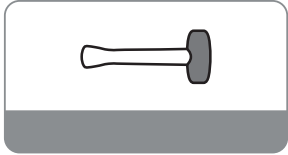


2

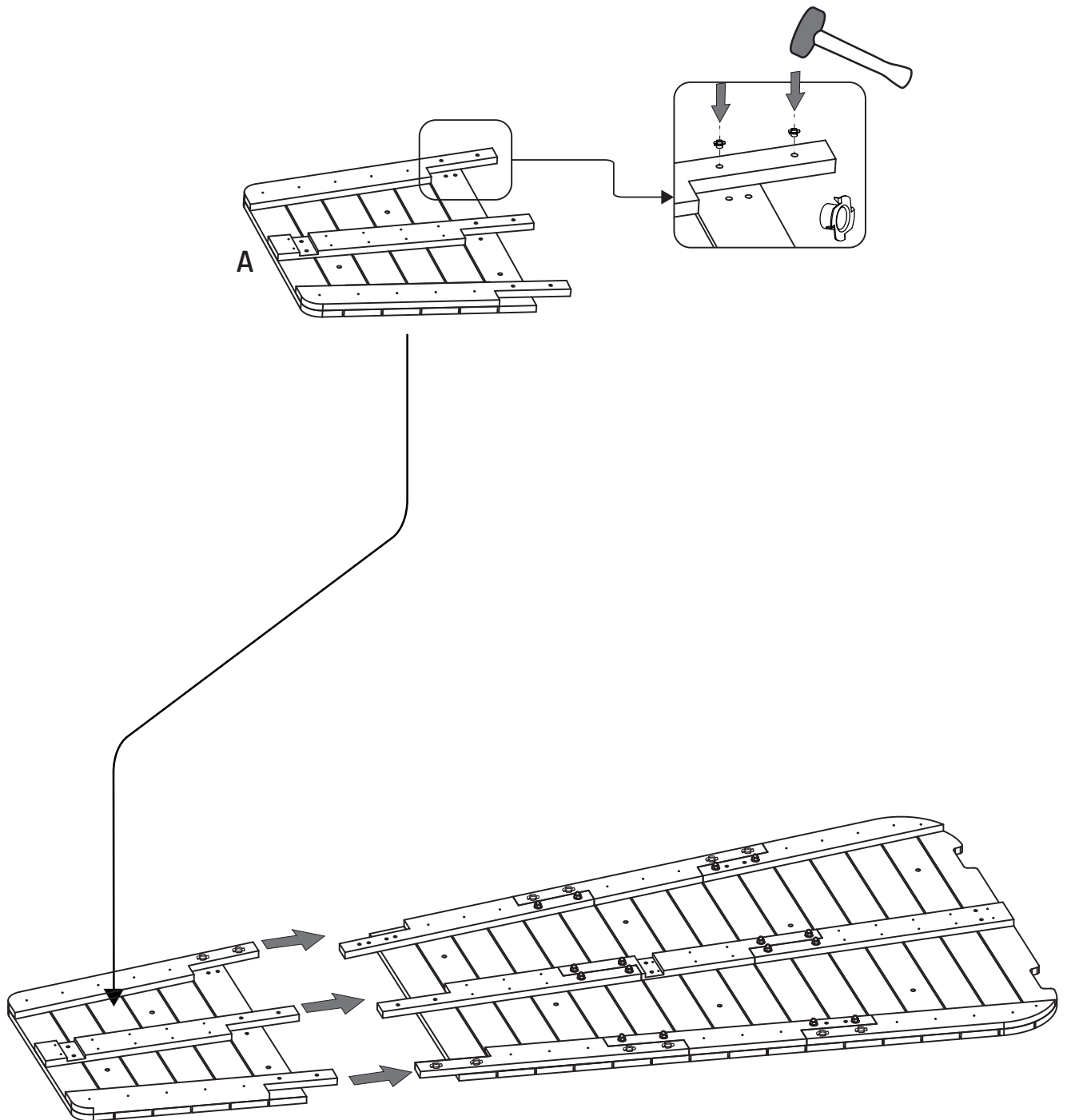


3

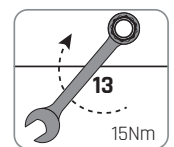
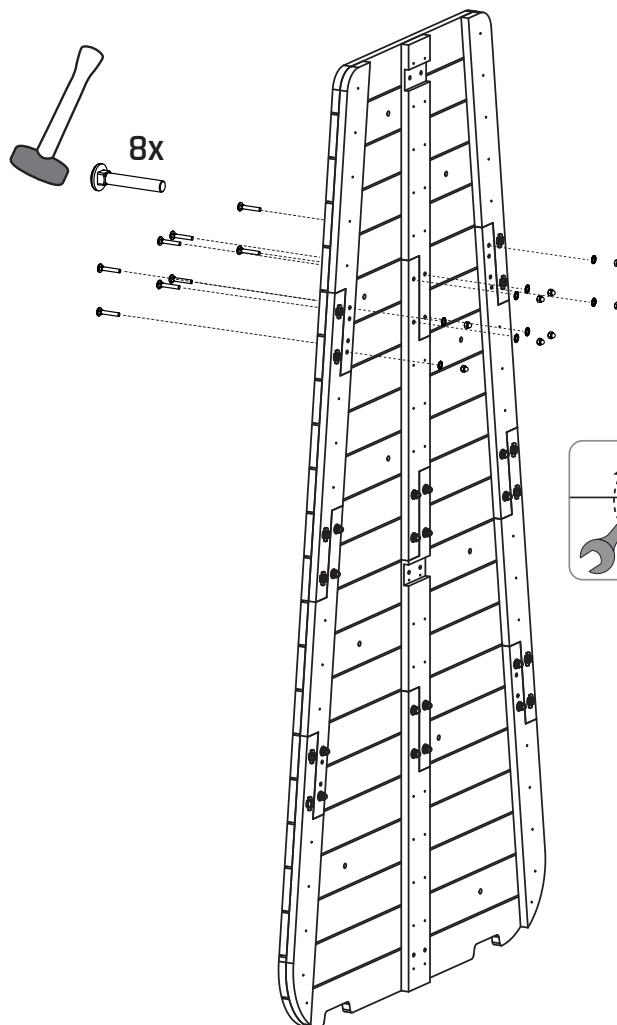
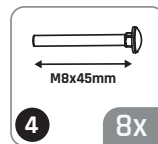
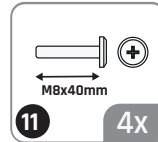
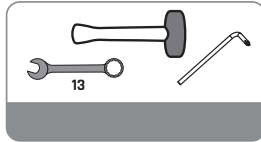
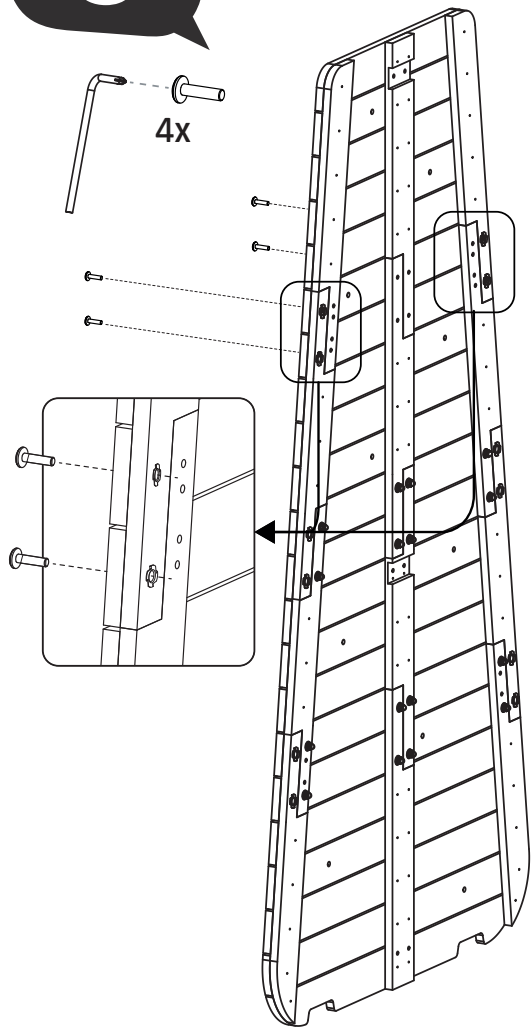


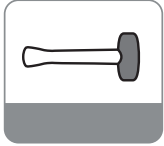


4

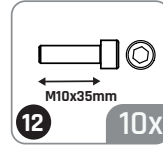
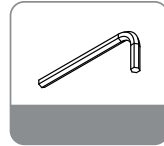


5

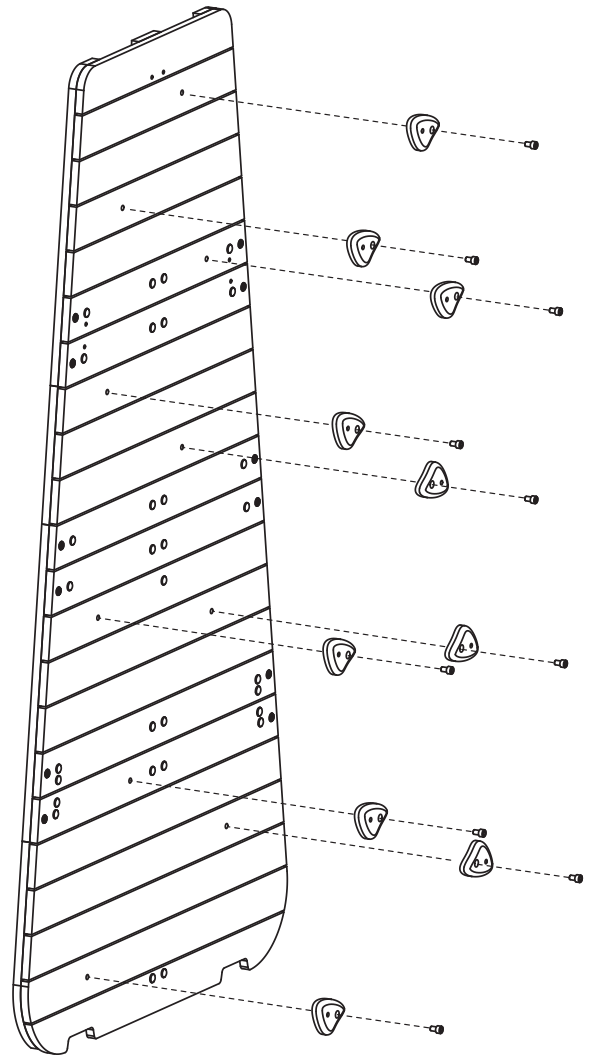
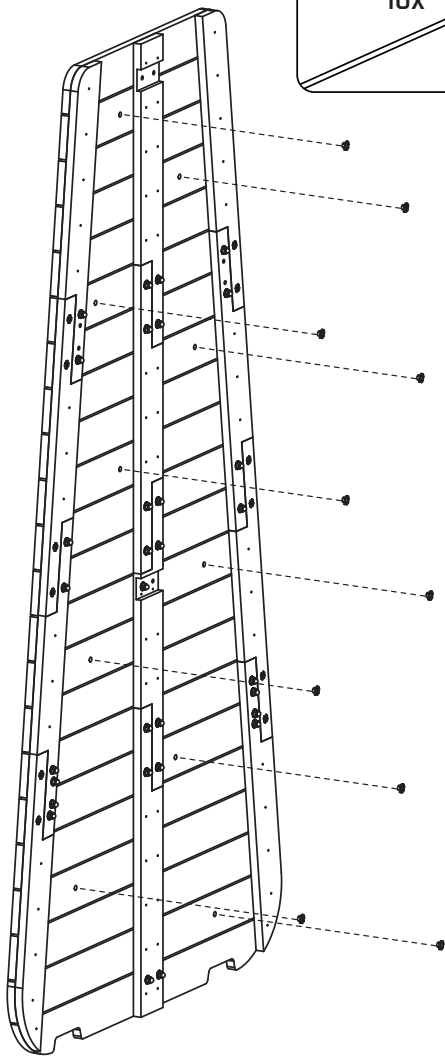
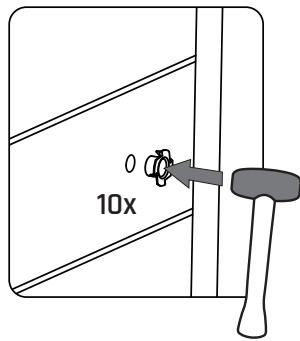
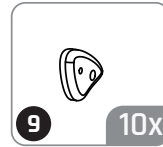




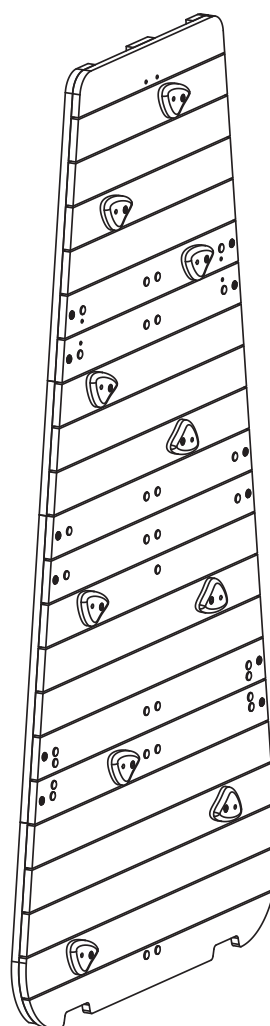
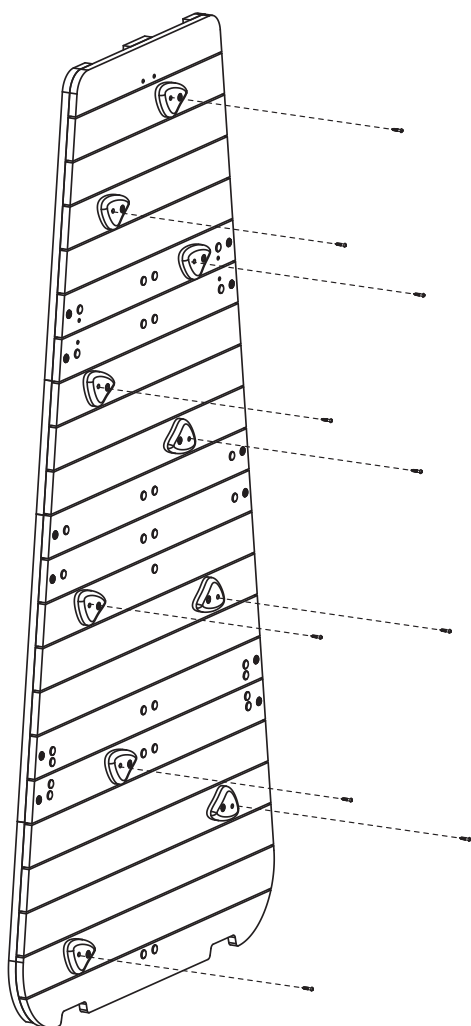
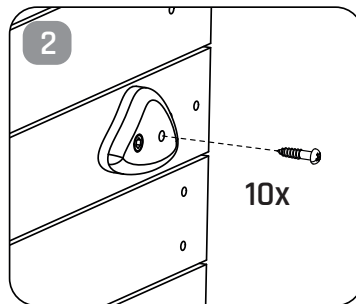
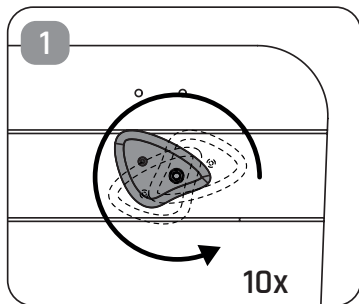
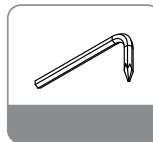
6



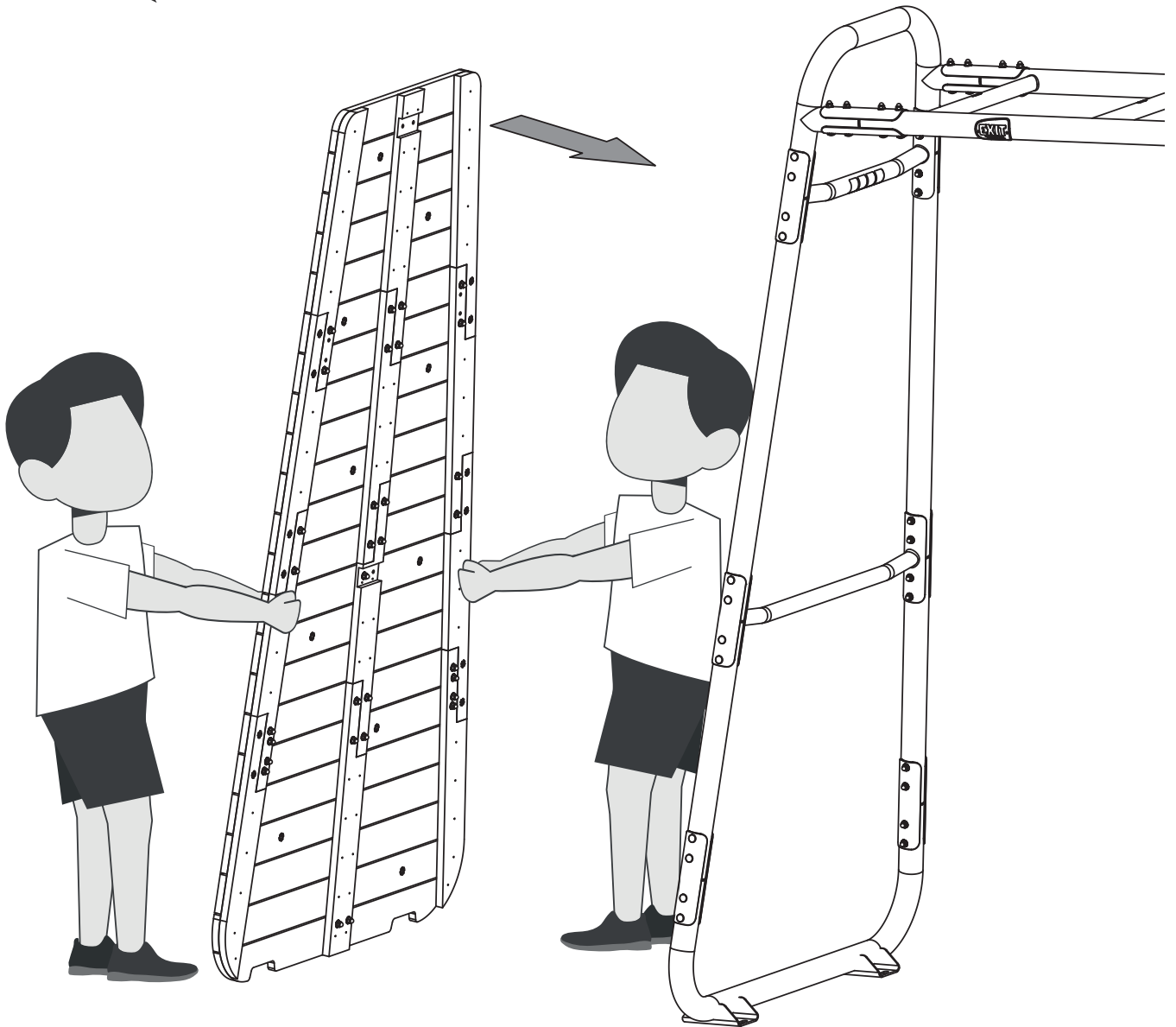
7



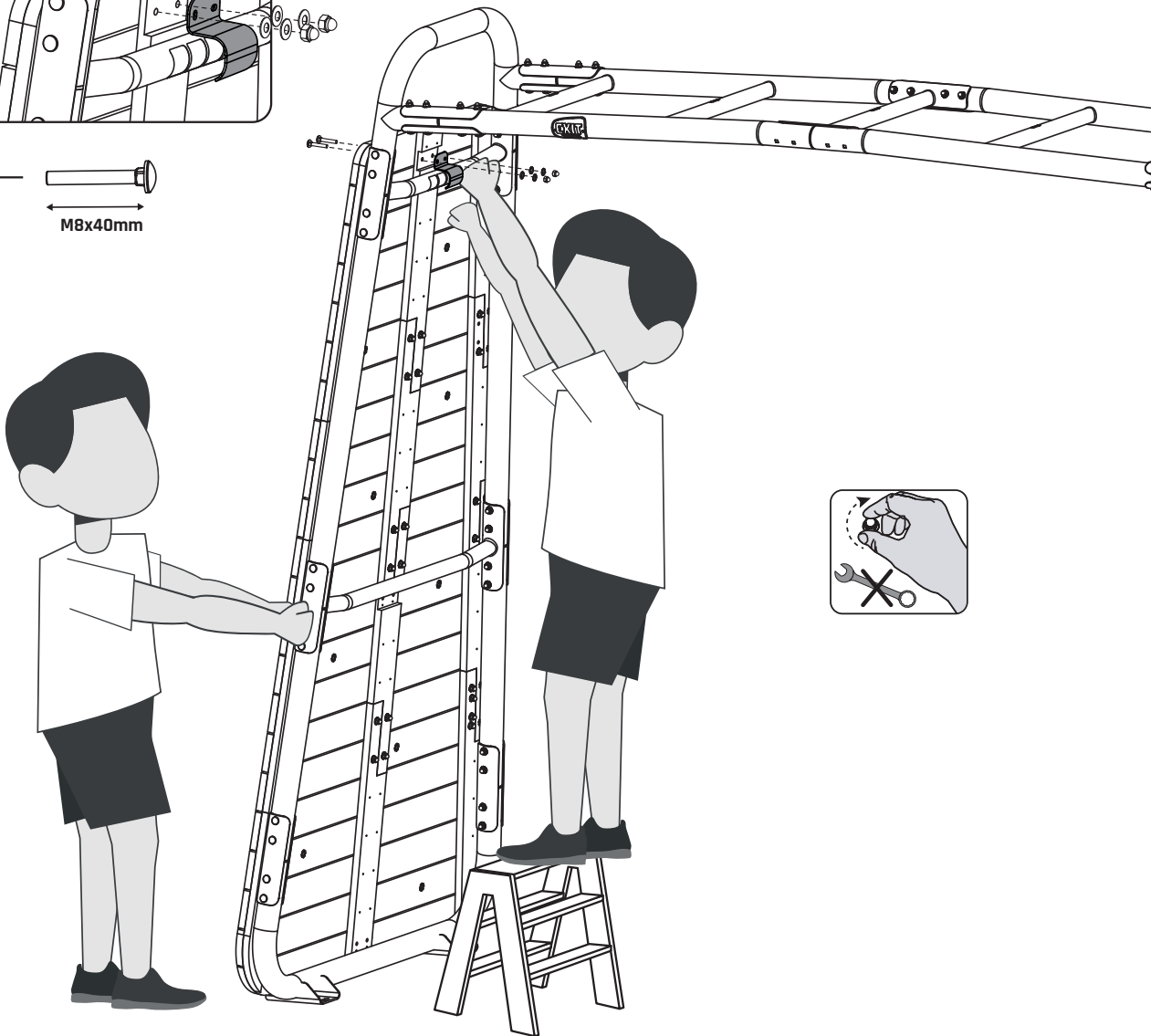
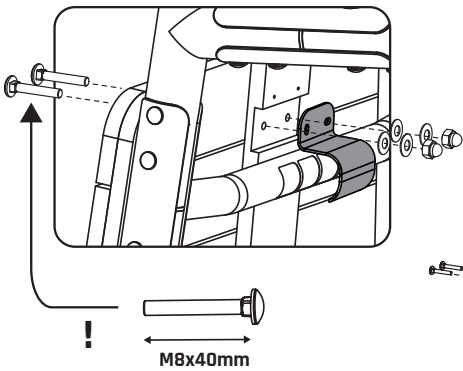
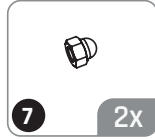
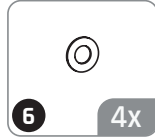
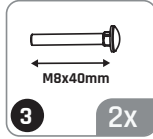
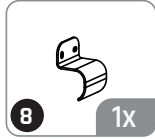
8



9

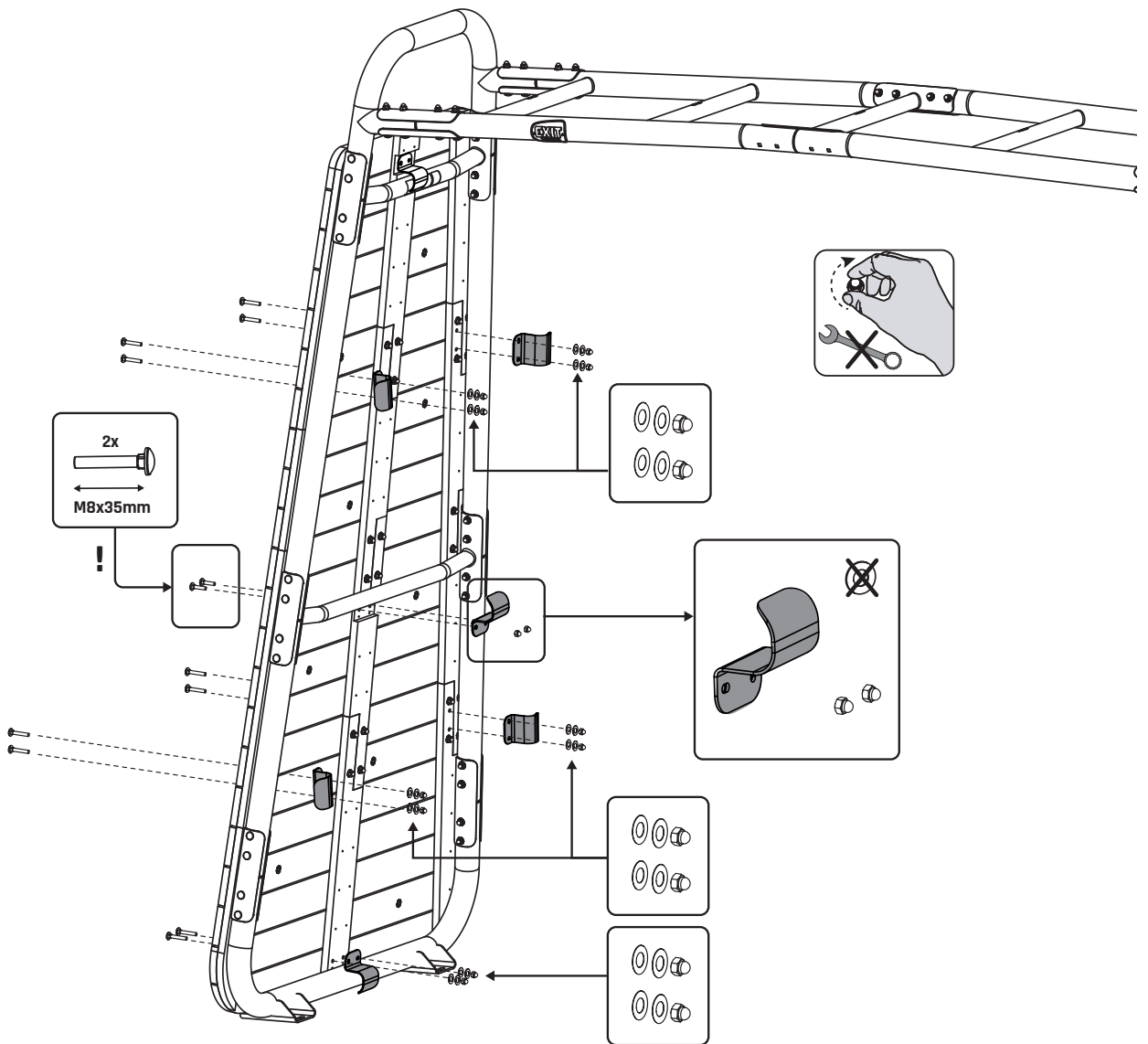


10

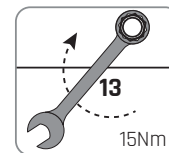
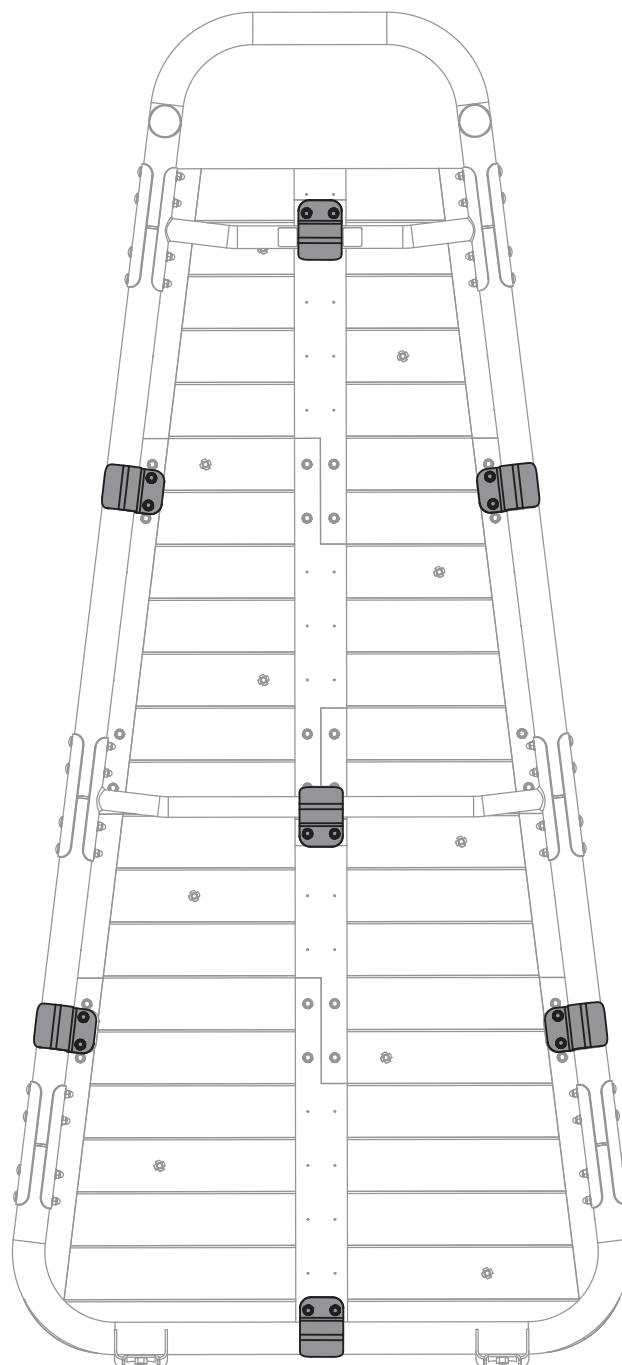
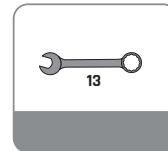


- 8
6x
- 2
2x
- 5
10x
- 6
20x
- 7
12x

11

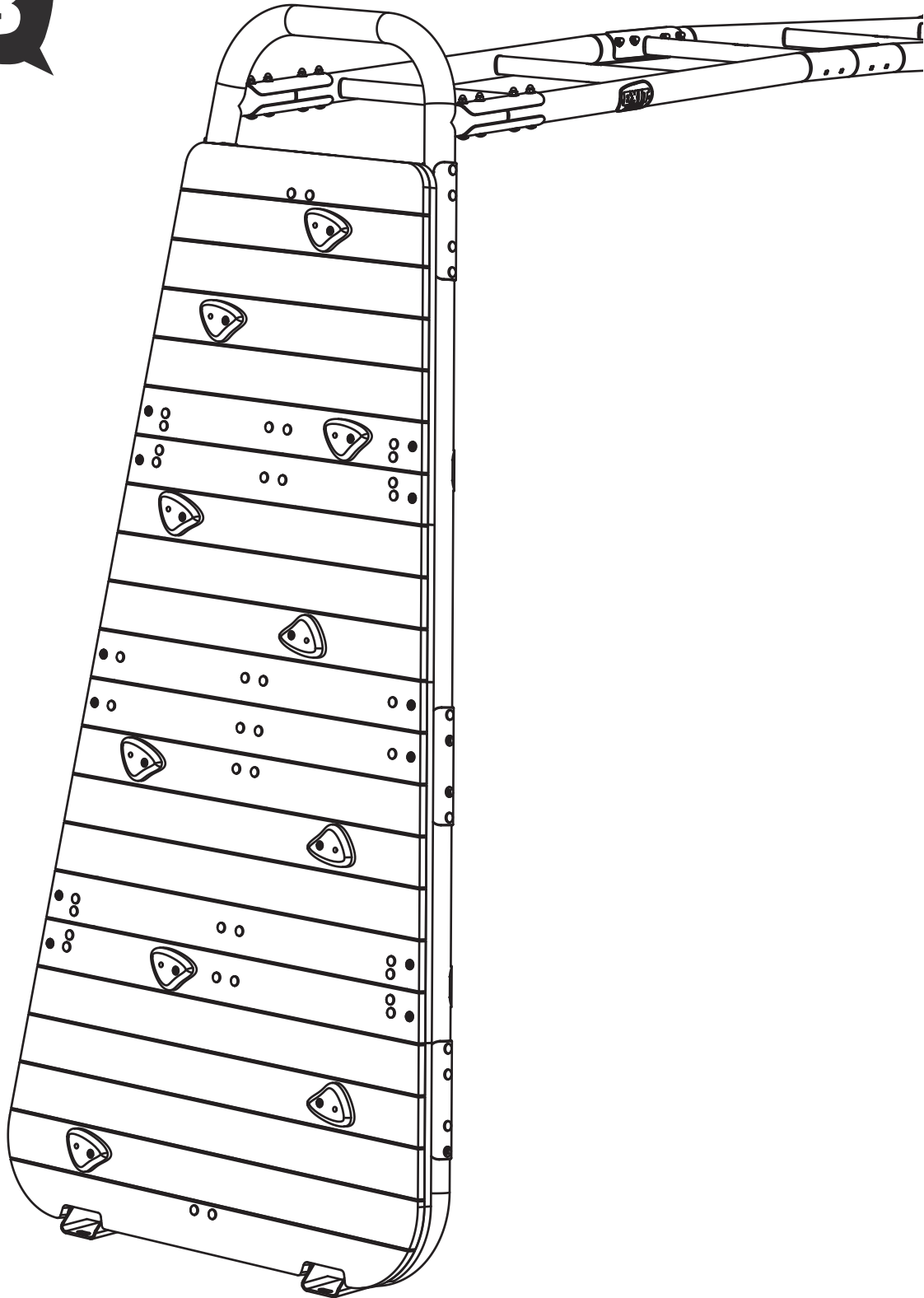


12

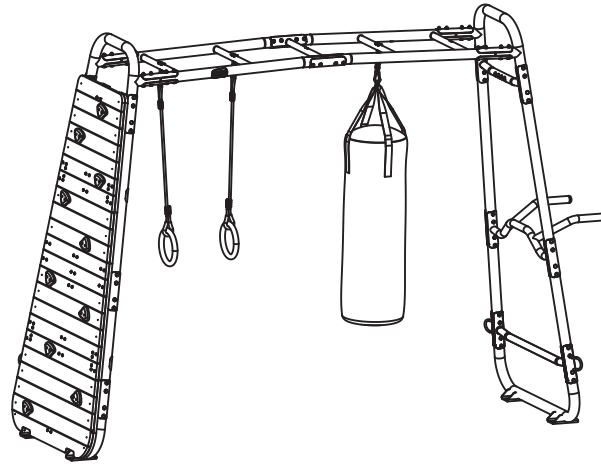


14 x

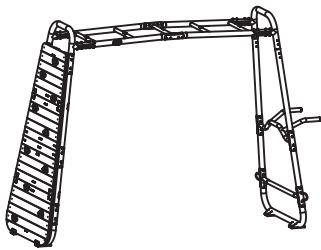
13







1



1X

2



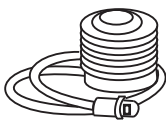
54.90.41.00 1X

3



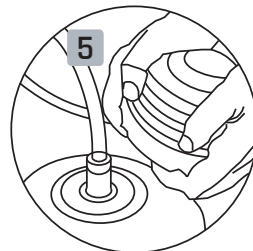
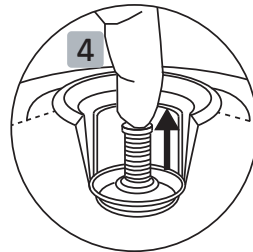
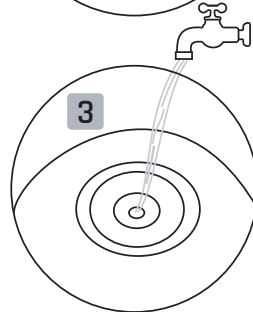
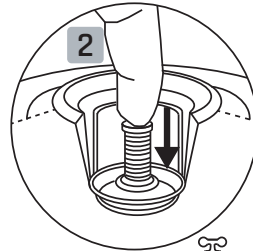
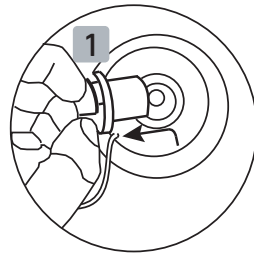
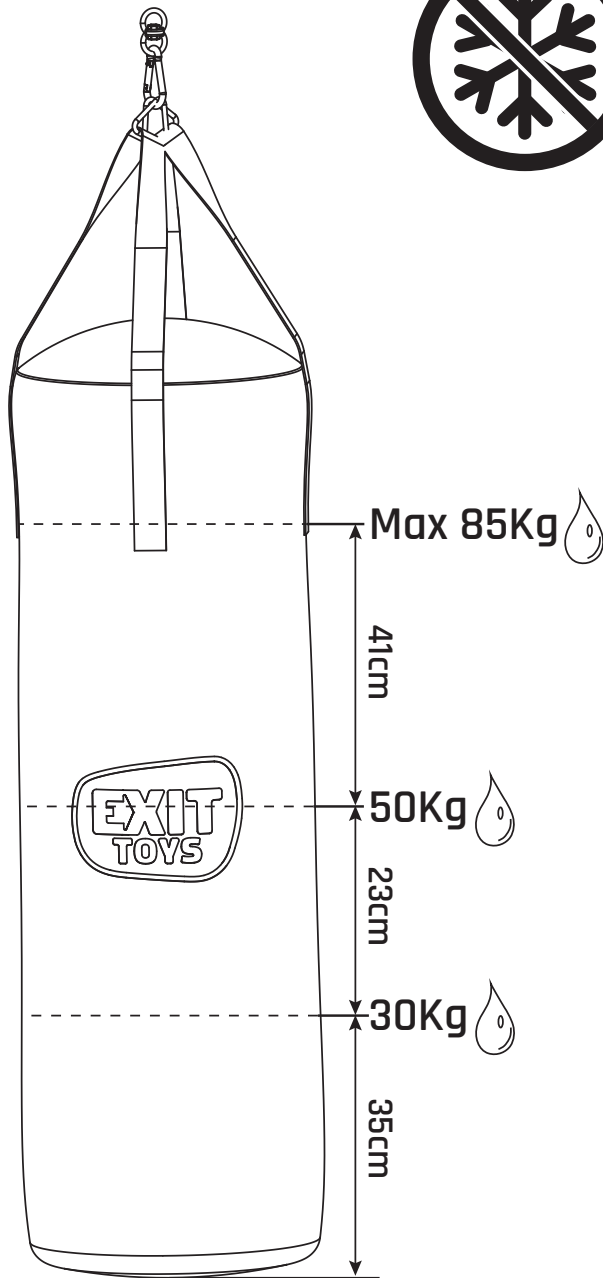
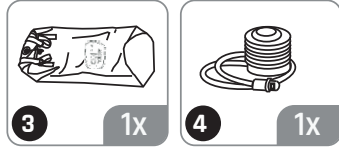
54.90.30.00 1X

4

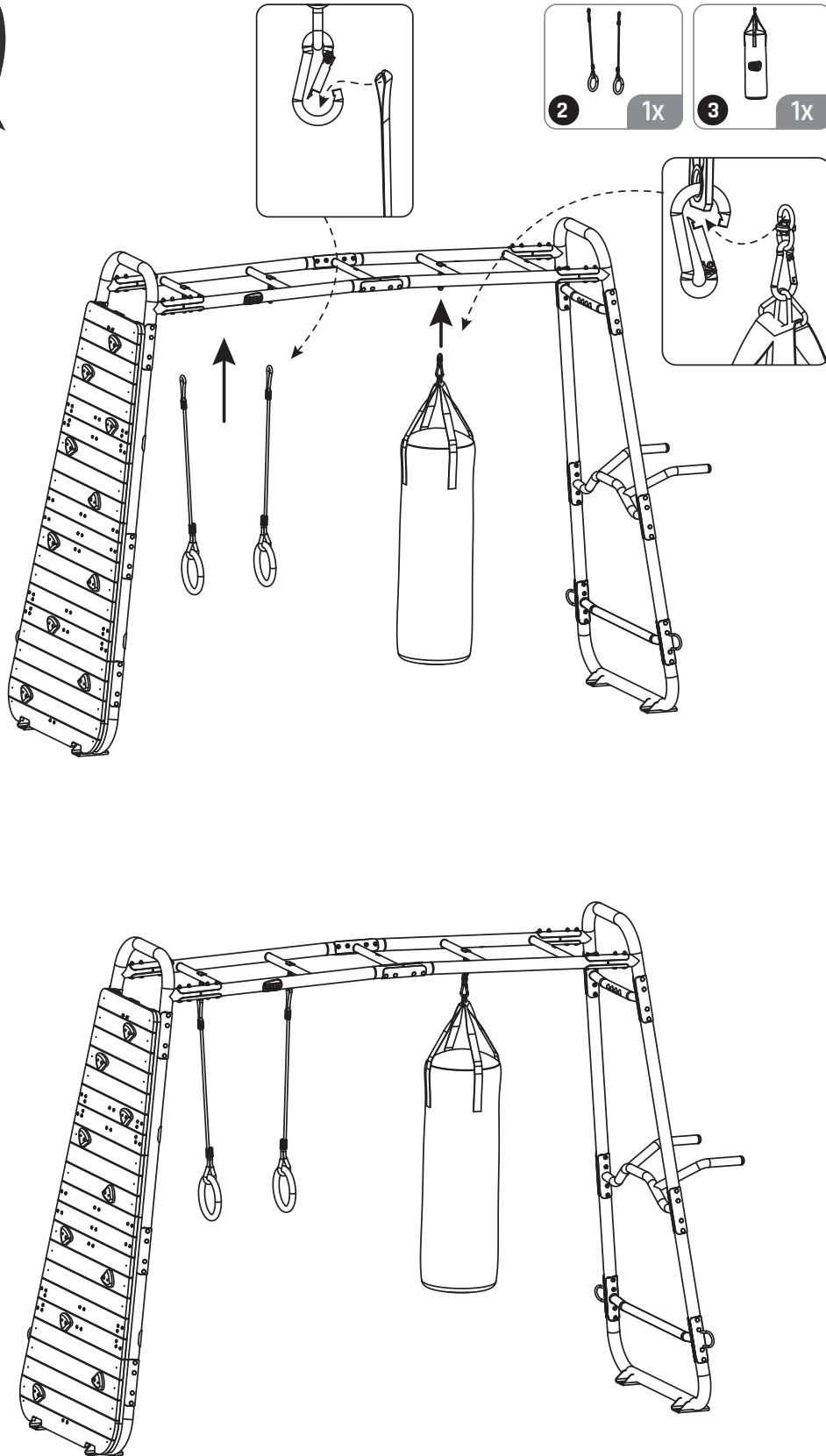


1X

1



2





www.exittoys.com



Contact Information:

Dutch Toys Group B.V.
Edisonstraat 83
7006 RB Doetinchem, The Netherlands

info@exittoys.com
www.exittoys.com

EXIT Toys is part of:

SIMBA · DICKIE · GROUP

EXIT Toys is a registered trade mark of Dutch Toys Group